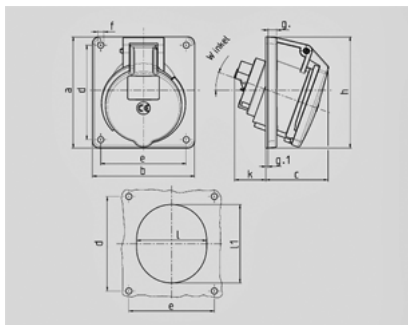


**Panel mounted receptacle - Part no. 1050**


- screw terminals
- highly heat resistant contact carrier
- nickel plated contacts
- 20° inclination
- receptacles optional fitted with auxiliary contact

Technical information	
Ampere	32 A
Poles	7 p
Voltage	500V
Earth position	7 h
Hertz	50-60 Hz
Connection technology	Screw terminals
Contact	nickel plated contacts, highly heat resistant contact carrier
Protection type	IP 44



Drawing 1 MB 260	Amp. Poles	16		32	
		7	7	7	7
Dim. in mm	a	100	100	100	100
	b	92	92	92	92
	c	58	61	61	61
	d	85	85	85	85
	e	77	77	77	77
	f	5,5	5,5	5,5	5,5
	g	8	8	8	8
	g-1	2	2	2	2
	h	100	106	106	106
	k	40	55	55	55
	l	65	72	72	72
	ll	72	85	85	85
	o	20°	20°	20°	20°
Terminal for cond. cross section (mm <sup>2</sup> ) min.-max.		1,5	2,5	2,5	2,5
		-4	-10	-10	-10