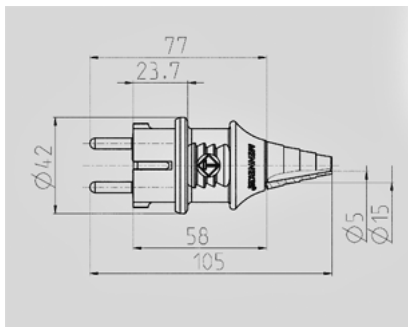


**Plug SCHUKO® - Part no. 10754**

- screw terminals
- with combined PE-conductor acc. to german and french-belgian standard
- with grommet
- for cables up to 3 x 2.5 mm<sup>2</sup>, up to H07RN-F

## Technical information

Ampere	16 A
Poles	2 p+E
Voltage	230V
Shutter	no
Connection technology	Screw terminals
Contact	standard
Protection type	IP 44

Drawing  
2 MB 139

Dim. in mm