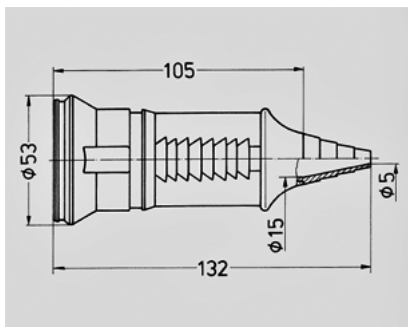


Connector SCHUKO® - Part no. 10756

- screw terminals
- with grommet
- for cables up to 3 x 2.5 mm², up to H07RN-F

Technical information

Ampere	16 A
Poles	2 p+E
Voltage	230V
Shutter	no
Connection technology	Screw terminals
Contact	standard

Drawing
3 MB 26

Dim. in mm