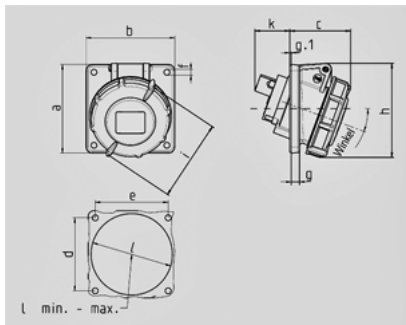


Panel mounted receptacle - Part no. 1095


- screw terminals
- highly heat resistant contact carrier
- nickel plated contacts
- uniform fixing hole spacing
- suitable for through wiring
- 20° inclination
- receptacles are designed for adding an auxiliary contact switch

Technical information

Ampere	16 A
Poles	7 p
Voltage	230V
Hertz	50-60 Hz
Connection technology	Screw terminals
Contact	nickel plated contacts, highly heat resistant contact carrier
Protection type	IP 67



Drawing	Amp.	16	32
1 MB 452	Poles	7	7
Dim. in mm	a	85	85
	b	85	85
	c	60	72
	d	70	70
	e	70	70
	f	5,5	5,5
	g	8	8
	g.1	2	2
	h	99	110
	i	96	110
	k	41	49
	l min.	70	78
	l max.	78	78
Terminal for cond. cross		1,5	2,5
section (mm ²) min.-max.		-4	-10