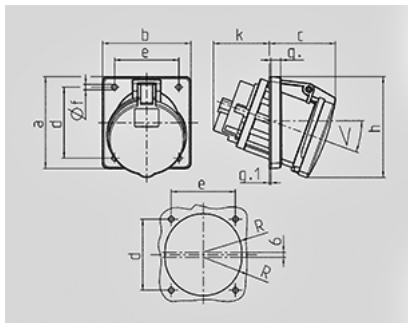


**Panel mounted receptacle - Part no. 1154A**


- screw terminals
- SoftCONTACT
- 20° inclination
- products with pilot contact on request

**Technical information**

Ampere	63 A
Poles	5 p
Voltage	230V
Earth position	9 h
Hertz	50-60 Hz
Connection technology	Screw terminals
Contact	standard
Protection type	IP 44



Drawing 1 MB 297	Amp. Poles	63		
		3	4	5
Dim. in mm	a	110	110	110
	b	106	106	106
	c	82	82	82
	d	85	85	85
	e	77	77	77
	f	6,5	6,5	6,5
	g.	12	12	12
	g.1	2	2	2
	h	122	122	122
	k	69	69	69
	R	46	46	46
	α	20°	20°	20°
	Terminal for cond. cross section (mm²) min.-max.	6	6	6
		-25	-25	-25