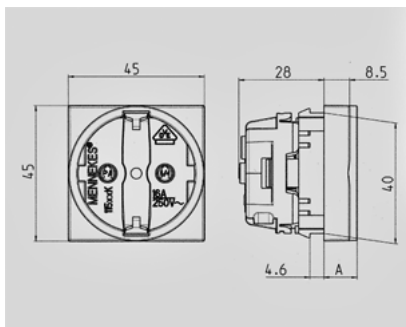


**Grounding-type snap-in receptacle - Part no. 11665K**


- French-belgien standard
- without hinged lid
- 3 plug-in terminals as connecting terminals for 1.5 – 2.5 mm<sup>2</sup>
- for easy installation in a cable duct or an enclosure
- for fixing on DIN rails with fixing rack 11254

**Technical information**

Ampere	16 A
Poles	2 p+E
Voltage	230V
Shutter	yes
Connection technology	Plug-in terminals
Contact	standard



Drawing 1 MB 457 Drawing in mm	Dim. A
SCHUKO	11.0
French/Belgian standards	8.5
Danish standards	8.5