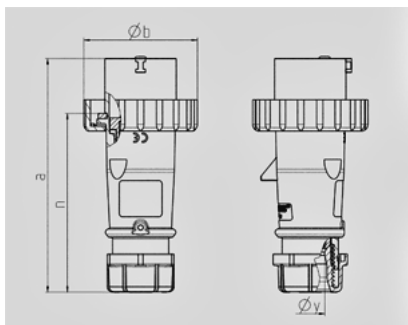


**Plug AM-TOP® - Part no. 2324**


- screw terminals
- highly heat resistant contact carrier
- nickel plated contacts
- single part body
- cable gland and sealing
- strain relief and protection against kinking

Technical information	
Ampere	32 A
Poles	7 p
Voltage	400V
Earth position	6 h
Hertz	50-60 Hz
Connection technology	Screw terminals
Contact	nickel plated contacts, highly heat resistant contact carrier
Protection type	IP 67



Drawing 2 MB 218	Amp. Poles	16		32	
		7	7	7	7
Dim. in mm	a	147		180	
	b	87		101	
	n	114		138	
	y	16		22	
Terminal for cond. cross		1		2,5	
section (mm²) min.-max.			-2,5		-6