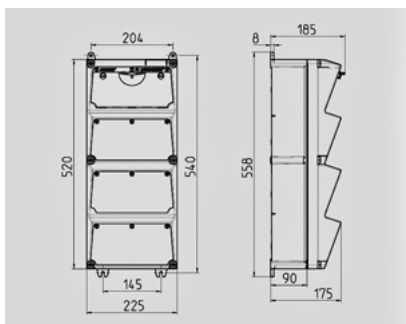


AMAXX® receptacle combination - Part no. 941464


- pre-wired for installation
- hinged to the side
- enclosure and insert made of AMAPLAST
- fusing behind a transparent cover

Technical information	
Fitted with	6 french/belg. standard 16A. 2p+E, 230V
Fusing	1 RCD 40A. 4p. 0.03A 3 MCB's 16A, 1p+N, C 1 off button 1 indicator light
Pre-fuse max.	100 A
InA	16 A
RDF	1
Enclosure size	520 x 225 mm (H x W)
Protection type	IP 44


Drawing 1 MB 523

Depth dimensions at various fittings.

Receptacles	Degrees	Depth
SCHUKO®16A, 230 V	IP 44	186 mm
	IP 67	208 mm
CEE 16A, 3p, 230V	IP 44	216 mm
	IP 67	220 mm
CEE 16A, 5p, 400V	IP 44	222 mm
	IP 67	226 mm
CEE 32A, 5p, 400V	IP 44	231 mm
	IP 67	236 mm
CEE 63A, 5p, 400V	IP 44	260 mm
	IP 67	260 mm

Cable entries: closed for cut out. 2 x M 40 each on top and bottom, 2 x M 20 each on top and bottom for cut out.