

mitsubishi

Analog input/ output module

User's Manual
(Hardware)

A1S63ADA

Thank you for buying the Mitsubishi general-purpose programmable logic controller MELSEC-A Series

Prior to use, please read both this manual and detailed manual thoroughly and familiarize yourself with the product.



MODEL	A1S63ADA-U-(H/W)
MODEL CODE	13JG43
IB(NA)-68474-G(0609)MEE	

● SAFETY PRECAUTIONS ●

(Always read these instructions before using this equipment.)

When using this equipment, thoroughly read this manual and the associated manuals introduced in this manual. Also pay careful attention to safety and handle the equipment properly.

These precautions apply only to this equipment. Refer to the CPU module user's manual for a description of the PC system safety precautions.


These ●SAFETY PRECAUTIONS● classify the safety precautions into two categories: "DANGER" and "CAUTION".



Procedures which may lead to a dangerous condition and cause death or serious injury, if not carried out properly.



Procedures which may lead to a dangerous condition and cause superficial to medium injury, or physical damage only, if not carried out properly.

Depending on circumstances, procedures indicated by  **CAUTION** may also be linked to serious results.

In any case, it is important to follow the directions for usage. Store this manual in a safe place so that you can take it out and read it whenever necessary.

Always forward it to the end user.

[DESIGN PRECAUTIONS]

DANGER

- Configure a safety circuit on the outside of the PC so that the entire system works to a safe side even when the external power failure occurs or PC main unit fails.
An erroneous output or operation may result in an accident.

CAUTION

- Use the PC in the environment given in the general specifications section of the applicable CPU module user's manual.
Failure to do so may result in electric shock, fire, or erroneous operation or may damage or degrade the equipment.
- Do not bundle, or install, the control cables with, or near, the main circuit and power cables.
Keep them at least 100 mm (3.9 inch) away from such cables.
Noise may cause erroneous operation.
- At power ON/OFF, voltage or current may instantaneously be output from the output terminal of this module. In such case, wait until the analog output becomes stable to start controlling the external device.

[INSTALLATION PRECAUTIONS]

CAUTION

- Insert the tabs at the bottom of the module into the holes in the base module before installing the module. Be sure to install the module in the base module with screws tightened to the specified torque. Improper installation may cause erroneous operation, accident, or the module to fall out.
- Do not directly touch the module's conductive parts or electronic components. Doing so could cause malfunction or trouble in the module.

[WIRING PRECAUTIONS]

CAUTION

- If noise generates frequently, ground the AG and FG terminals using the PC dedicated class-D ground (class-three ground) or higher. Failure to do so may result in erroneous operation.
- Confirm the rated voltage and terminal arrangement of the module before wiring it to the PC. If a power supply of different rating is connected or a wiring is performed erroneously, fire or accident may result.
- Tighten the terminal screws to the specified torque. Loose terminal screws may cause a short circuit or erroneous operation. If excessively tightened, the terminal screws may be damaged, and cause a short circuit or erroneous operation.
- Be sure that cuttings, wire chips, or other foreign matter do not enter the module. Foreign matter may start a fire or cause an accident or erroneous operation.

[STARTING AND MAINTENANCE PRECAUTIONS]

CAUTION

- Do not touch live terminals.
It may cause erroneous operation.
- Be sure to shut off all phases of the external power supply used by the system before cleaning or retightening the terminal screws.
Not doing so can cause the module to fail or malfunction.
- Do not disassemble or rebuild the module.
It may cause accidents, erroneous operation, injury, or fire.
- Be sure to shut off all phases of the external power supply used by the system before mounting or removing the module.
Not doing so may cause damage to the module.
- Do not install/remove the terminal block more than 50 times after the first use of the product. (IEC 61131-2 compliant)
- Before handling the module, always touch grounded metal, etc. to discharge static electricity from the human body.
Failure to do so may cause the module to fail or malfunction.

[OPERATING PRECAUTIONS]

CAUTION

- Do not output (ON) "Use Prohibited" signals from the PC CPU to the special module.
Doing so could erroneously operate the PC system.

[DISPOSAL PRECAUTIONS]

CAUTION

- When disposing of this equipment, handle it as industrial waste.

REVISIONS

* The manual number is given on the bottom right of the front cover.

Print Date	* Manual Number	Revision
Oct.,1994	IB (NA)-68474-A	First edition
Feb.,1999	IB (NA)-68474-B	<div style="border: 1px solid black; display: inline-block; padding: 2px;">Addition</div> Safety precautions <div style="border: 1px solid black; display: inline-block; padding: 2px;">Partial Correction</div> Section 3.1
Dec.,1999	IB (NA)-68474-C	<div style="border: 1px solid black; display: inline-block; padding: 2px;">Partial Correction</div> Chapter 2
Nov.,2001	IB (NA)-68474-D	<div style="border: 1px solid black; display: inline-block; padding: 2px;">Partial Correction</div> Contact ad dress (Back cover)
Oct.,2002	IB (NA)-68474-E	<div style="border: 1px solid black; display: inline-block; padding: 2px;">Partial Correction</div> Chapter 2, Section 5.2
Sep.,2005	IB (NA)-68474-F	<div style="border: 1px solid black; display: inline-block; padding: 2px;">Addition</div> Conformation to the EMC Directive and Low Voltage Instruction <div style="border: 1px solid black; display: inline-block; padding: 2px;">Partial Correction</div> SAFETY PRECAUTIONS
Sep.,2006	IB (NA)-68474-G	<div style="border: 1px solid black; display: inline-block; padding: 2px;">Partial Correction</div> SAFETY PRECAUTIONS

This manual confers no industrial property rights or any rights of any other kind, nor dose it confer any patent licenses. Mitsubishi Electric Corporation cannot be held responsible for any problems involving industrial property rights which may occur as a result of using the contents noted in this manual.

CONTENTS

Safety Precautions.....	A-1
Revision History.....	A-4
Contents	A-5
About the Manuals.....	A-6
1. OVER VIEW	1
2. PERFORMANCE SPECIFICATIONS	1
3. NAMES AND SETTINGS OF EACH PART.....	3
3.1 Names of each part.....	3
3.2 Setting the offset and gain.....	6
4. HANDLING	9
4.1 Precautions for handling.....	9
5. WIRING	10
5.1 Precautions for wiring.....	10
5.2 Example of module connection	10
6. OUTLINE DIMENSION DRAWINGS.....	12

About the Manuals

The following manuals are related to this product.
Order them if necessary.

Detailed manuals

Manual Name	Manual No. (Model code)
Analog input/output module type A1S63ADA User's Manual.	IB-66435 (13JE30)

Conformance to the EMC Directive/Low Voltage Directive

When incorporating the Mitsubishi PLC into other machinery or equipment and keeping compliance with the EMC and low voltage directives, refer to Chapter 3, "EMC Directives and Low Voltage Directives" of the User's Manual (Hardware) included with the CPU module or base unit used. The CE logo is printed on the rating plate on the main body of the PLC that conforms to the EMC directive and low voltage instruction. By making this product conform to the EMC directive and low voltage instruction, it is not necessary to make those steps individually.

1. Overview

This manual describes specifications, handling and wiring of an A1S63ADA Analog input/output module (hereinafter referred to as the A1S63ADA).

2 PERFORMANCE SPECIFICATIONS

The performance specifications of the A1S63ADA are shown below.

Item		Specifications							
A-D conversion	Analog input	Voltage:-10 to 0 to 10VDC(input resistance: 1M Ω) Current:-20 to 0 to 20mADC(input resistance: 250 Ω)							
	Digital output	-4096 to 4095 (when resolution is set to 1/4000) -8192 to 8191 (when resolution is set to 1/8000) -12288 to 12287 (when resolution is set to 1/12000)							
	I/O characteristics *1	Analog input	Digital value output						
			1/4000	1/8000	1/12000				
		10V	4000	8000	12000				
		5V or 20mA	2000	4000	6000				
		0V or 4mA	0	0	0				
	-5V or -20mA	-2000	-4000	-6000					
	-10V	-4000	-8000	-12000					
Max. resolution	Voltage	2.5mV	1.25mV	0.83mV					
	Current	10 μ A	5 μ A	3.33 μ A					
Conversion speed	—————	1ms/ch	2ms/ch	3ms/ch					
General accuracy*2	\pm 1%	\pm 40	\pm 80	\pm 120					
Absolute max. input	Voltage: \pm 15V Current: \pm 30mA								
Analog input points	2 channel								
D-A conversion	Digital input	Voltage output				Current output			
		-4000 to 4000 (when resolution is set to 1/4000)				0 to 4000 (when resolution is set to 1/4000)			
		-8000 to 8000 (when resolution is set to 1/8000)				0 to 8000 (when resolution is set to 1/8000)			
	-12000 to 12000 (when resolution is set to 1/12000)				0 to 12000 (when resolution is set to 1/12000)				
	Analog output	-10 to 0 to 10VDC(external load resistance:2k Ω to 1M Ω)				0 to 20mADC(external load resistance:0 Ω to 600 Ω)			
	I/O characteristics *3	1/4000	1/8000	1/12000	Analog output value	1/4000	1/8000	1/12000	Analog output value
4000		8000	12000	10V	4000	8000	12000	20mA	
2000		4000	6000	5V	2000	4000	6000	12mA	
0		0	0	0V	0	0	0	4mA	
-2000		-4000	-6000	-5V	—	—	—	—	
-4000	-8000	-12000	-10V	—	—	—	—		
Max. resolution	1/4000	2.5mV			5 μ A				
	1/8000	1.25mV			2.5 μ A				
	1/12000	0.83mV			1.7 μ A				

Item		Specifications			
D-A conversion		Voltage output		Current output	
	Conversion speed*4	1ms(1/4000) 2ms(1/8000) 3ms(1/12000)			
	General accuracy*5	± 1%(± 0.1V)		± 1%(± 0.2mA)	
	Solute max. output	Voltage: ± 12V Current: + 28mA			
	Output shorting protection	Provided			
	Analog output points	1channel			
Common to A-D and D-A conversions	Isolation specifications	Specific isolated area	Isolation method	Dielectric withstand voltage	Insulation resistance
		Between I/O terminal and PLC power supply	Photocoupler isolation	500V AC for 1 minute	5MΩ or more (measured with a 500V DC insulation resistance tester)
		Between channels	Not isolated	-	-
Conversion speed in simple loop control*6	4ms(1/4000) 7ms(1/8000) 9ms(1/12000)				
Number of occupying I/O points	32 points				
Connection terminal block	20-point terminal block (M3.5 (7 screw))				
Applicable wire size	0.75 to 1.5mm ²				
Applicable crimp terminal	1.25-3.5 1.25-YS3A 2-3.5 2-YS3A V1.25-M3 V1.25-YS3A V2-3.5 V2-YS3A				
Internal current consumption (5 VDC)	0.8A				
Weight	0.3kg				

The offset and gain are set as shown below as the default setting.

CH1 ... Offset: 0V/4mA, Gain: 5V/20mA

CH2 ... Offset: 0V/4mA, Gain: 5V/20mA

CH3 ... Offset: 0V/4mA, Gain: 10V/20mA

*1: For offset value: 0V/4mA, gain value: 5V/20mA

*2: This is the accuracy in respect to the maximum digital output value. The maximum digital output value is the maximum value at the selected resolution, and is the same for either a current input or voltage input.

*3: For offset value: 0V/4mA, gain value: 10V/20mA

*4: Depending on the timing of reading the digital value from the PLC CPU, the process may be carried out with a delay of up to one conversion processing time. The response time for the amplifier to output the D/A converted data to an external source is "maximum 1ms".

*5: This is the accuracy in respect to the maximum analog output value.

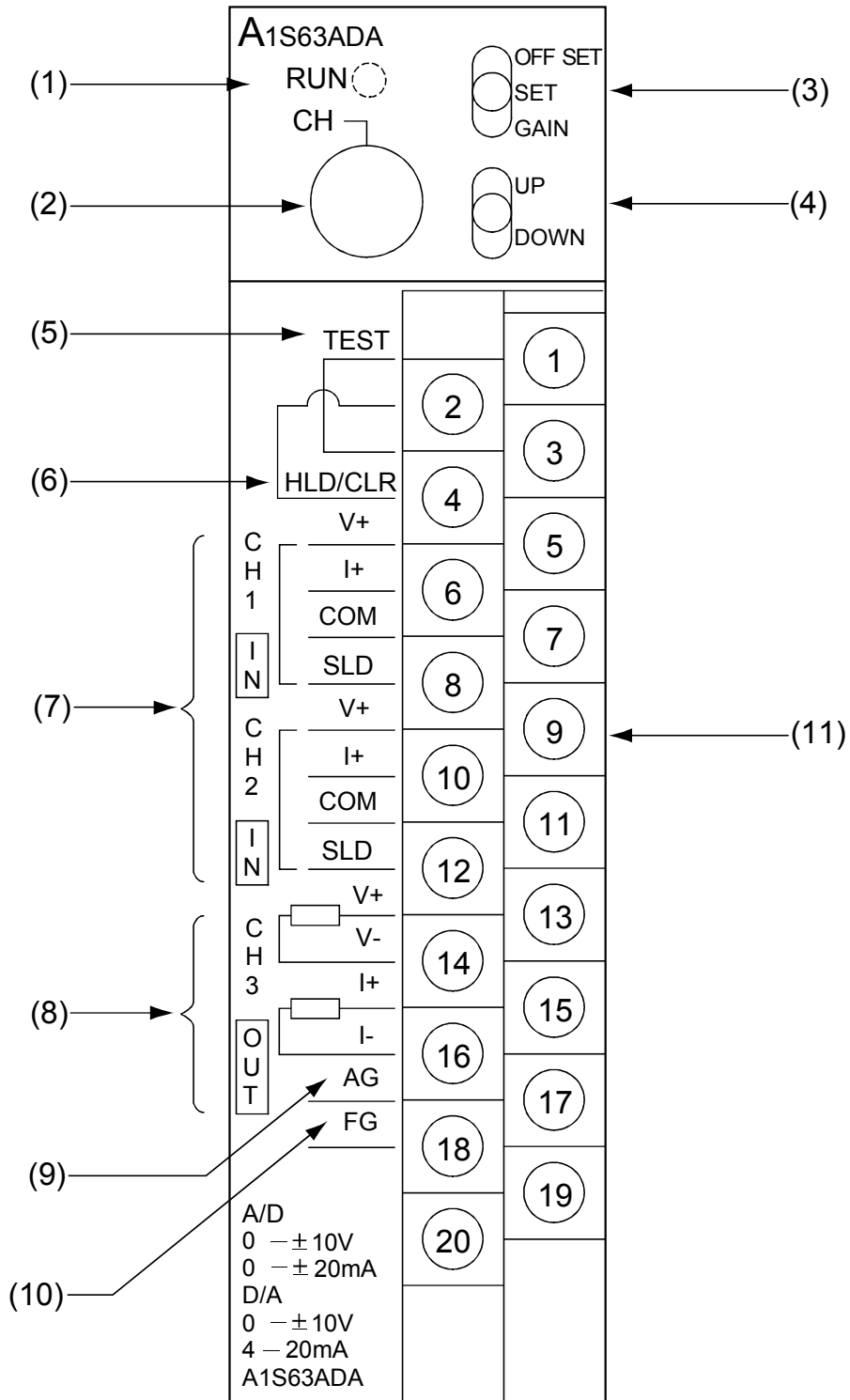
*6: The response time for the amplifier to output the D/A converted data to an external source is "1ms". For the general specifications, refer to the User's Manual for the PLC CPU in use.


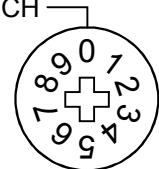

POINT
For approx. 30 minutes after the power is turned ON, the A/D conversion value will fluctuate due to the effect of the self-generated heat. If this fluctuation is a problem, start control after warming up for approx. 30 minutes. In the same manner, wait approx. 30 minutes to warm up before adjusting the offset/gain value (user-set).


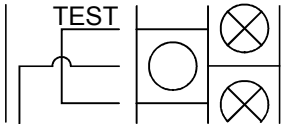
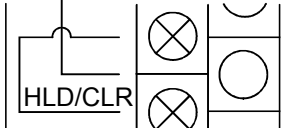
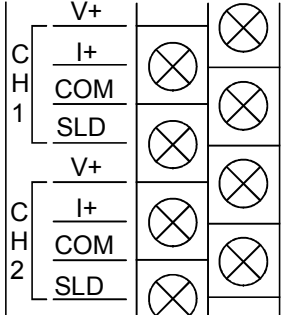
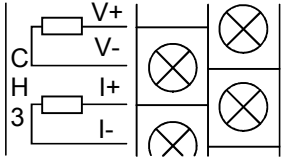
3. NAMES AND SETTINGS OF EACH PART

3.1 Names of each part

The names of each part are explained in this section.

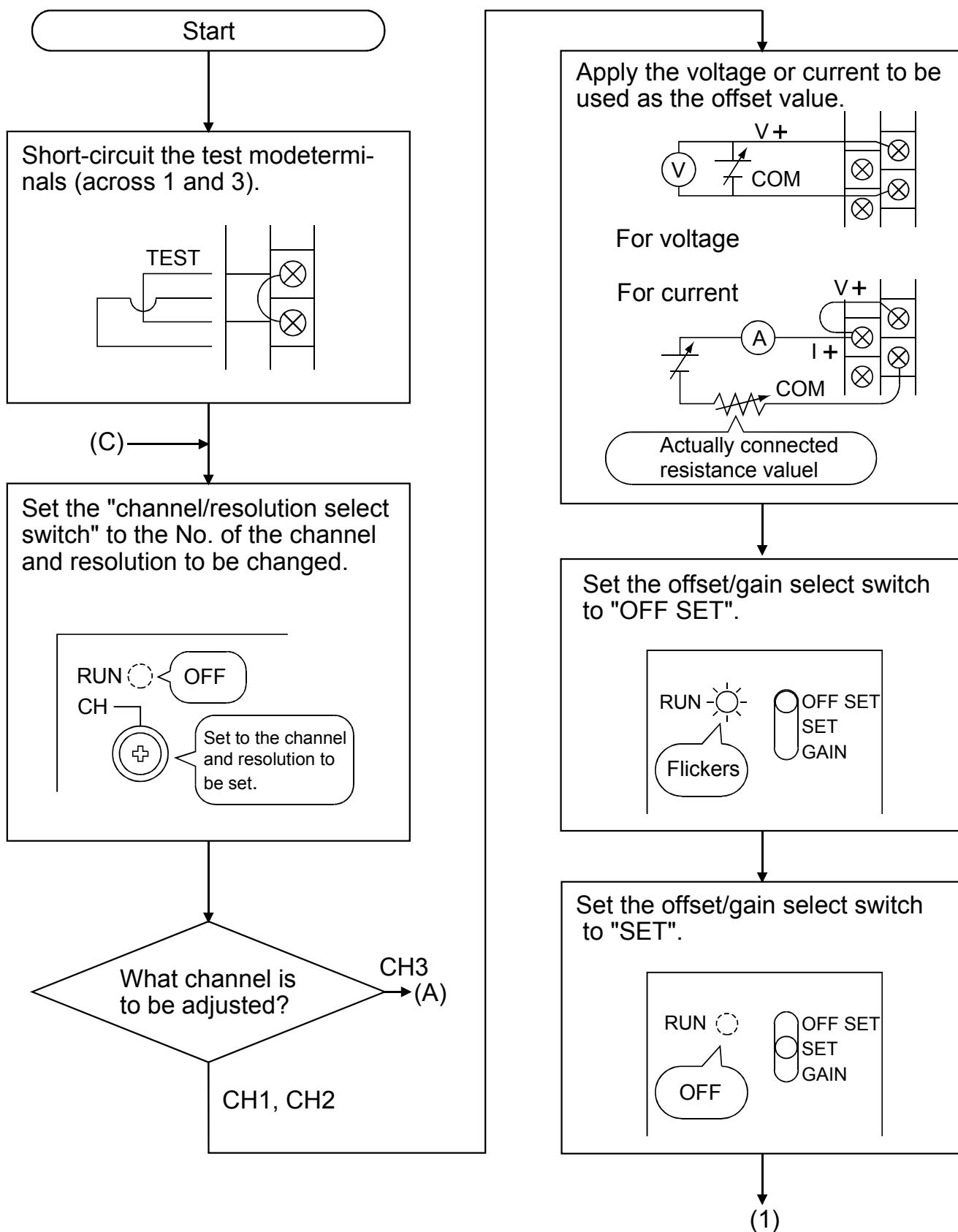


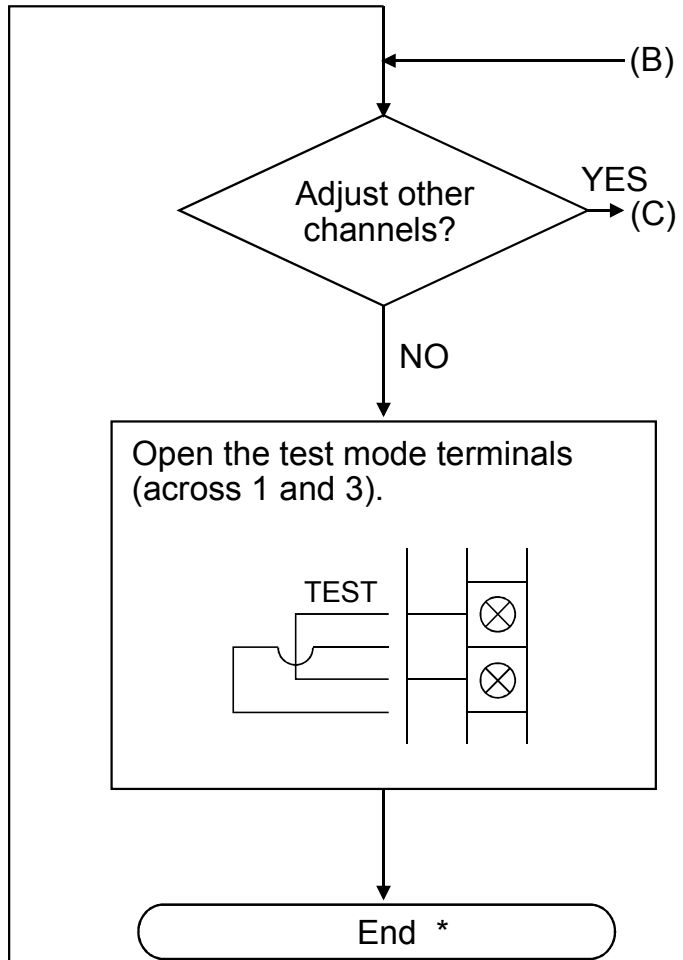
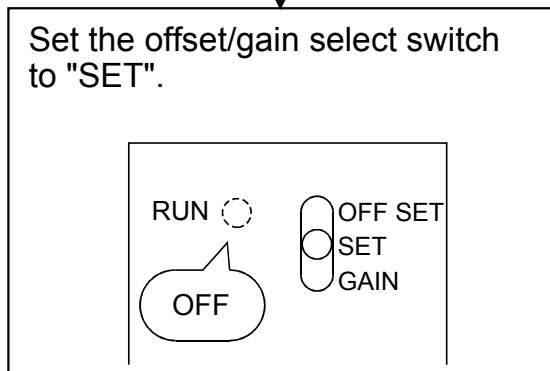
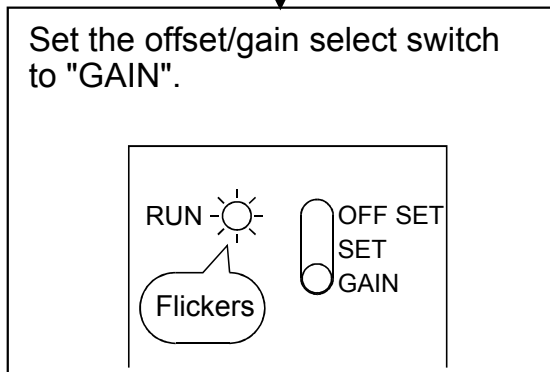
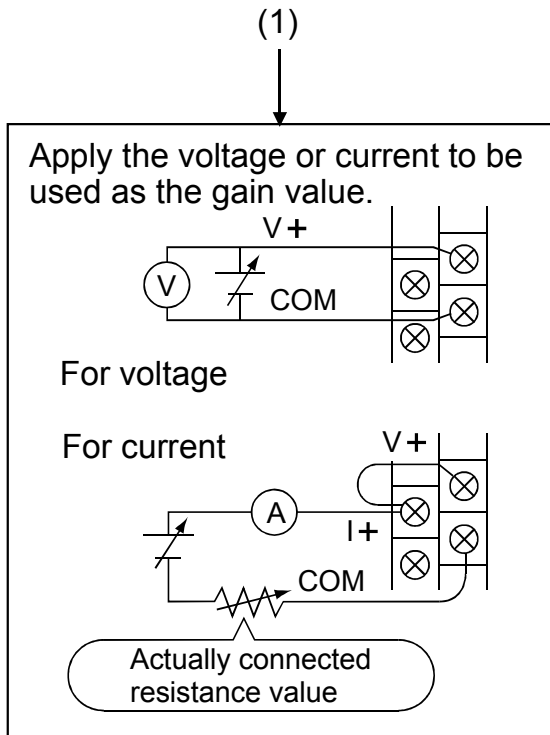
No.	Name	Details																								
(1)	RUN LED RUN 	This indicates the A1S63ADA operation state. <ul style="list-style-type: none"> • Normal mode LED ON: In normal operation Flickering: Setting data error LED OFF: 5V power OFF or watch dog timer error • Test mode Flickering: The LED flickers at a 0.25 second interval when the offset/gain select switch is set to "OFFSET" or "GAIN". If the CH3 setting value is set above the setting range with the UP/DOWN switch, the LED will flicker at a fast 0.1 second interval. LED OFF: The offset/gain select switch is set to "SET". 																								
(2)	Channel, resolution select switch 	This sets the channel for adjusting the offset/gain value and the resolution. <ul style="list-style-type: none"> • Normal mode: Invalid • Test mode : Valid <p style="text-align: right;">(Factly setting: 0)</p> <table border="1" data-bbox="667 987 1481 1485"> <thead> <tr> <th>Setting value</th> <th>Offset/gain adjustment channel</th> <th>Resolution</th> </tr> </thead> <tbody> <tr> <td>1</td> <td>CH1</td> <td rowspan="3">1/14000</td> </tr> <tr> <td>2</td> <td>CH2</td> </tr> <tr> <td>3</td> <td>CH3</td> </tr> <tr> <td>4</td> <td>CH4</td> <td rowspan="3">1/8000</td> </tr> <tr> <td>5</td> <td>CH5</td> </tr> <tr> <td>6</td> <td>CH6</td> </tr> <tr> <td>7</td> <td>CH7</td> <td rowspan="3">1/12000</td> </tr> <tr> <td>8</td> <td>CH8</td> </tr> <tr> <td>9</td> <td>CH9</td> </tr> </tbody> </table>	Setting value	Offset/gain adjustment channel	Resolution	1	CH1	1/14000	2	CH2	3	CH3	4	CH4	1/8000	5	CH5	6	CH6	7	CH7	1/12000	8	CH8	9	CH9
Setting value	Offset/gain adjustment channel	Resolution																								
1	CH1	1/14000																								
2	CH2																									
3	CH3																									
4	CH4	1/8000																								
5	CH5																									
6	CH6																									
7	CH7	1/12000																								
8	CH8																									
9	CH9																									
(3)	Offset/gain select switch 	OFFSET position: The offset value is adjusted. SET position : When moved from OFFSET to SET, the offset value is registered. When moned from GAIN to SET, the gain value is registered. GAIN position : The gain value is adjusted.																								

No.	Name	Details						
(4)	UP/DOWN switch 	This increments or decrements the CH3 offset value or gain value. <table border="1" data-bbox="541 226 1370 495"> <thead> <tr> <th data-bbox="541 226 932 315">Time at UP/DOWN position</th> <th data-bbox="932 226 1370 315">Increment/decrement width</th> </tr> </thead> <tbody> <tr> <td data-bbox="541 315 932 400">Less than 1.5s</td> <td data-bbox="932 315 1370 400">Voltage: approx. 2.5mV Current: approx. 5μA</td> </tr> <tr> <td data-bbox="541 400 932 495">1.5s or more</td> <td data-bbox="932 400 1370 495">Voltage: approx. 50mV Current: approx. 5μA</td> </tr> </tbody> </table>	Time at UP/DOWN position	Increment/decrement width	Less than 1.5s	Voltage: approx. 2.5mV Current: approx. 5μA	1.5s or more	Voltage: approx. 50mV Current: approx. 5μA
Time at UP/DOWN position	Increment/decrement width							
Less than 1.5s	Voltage: approx. 2.5mV Current: approx. 5μA							
1.5s or more	Voltage: approx. 50mV Current: approx. 5μA							
(5)	Test mode terminal 	This is used to adjust the offset/gain value and to set the resolution. <ul style="list-style-type: none"> • Short-circuit across terminals 1 and 3 ... Test mode • Open across terminals 1 and 3 ... Normal mode 						
(6)	Output hold/clear setting terminal 	This sets the CH3 analog output state when the PLC CPU is stopped. Open across terminals 2 and 4: The offset value is output when the CPU is stopped (clear) Short-circuit across terminals 2 and 4: The analog value is output when the CPU is stopped (hold)						
(7)	Analog input terminal(CH1, CH2) 	The CH1 and CH2 analog values (voltage/current) are input.						
(8)	Analog output terminal(CH3) 	The CH3 analog values (voltage/current) is output.						
(9)	Analog ground terminal	This is the ground terminal for the analog signal.						
(10)	Frame ground terminal	This is the module's ground terminal.						
(11)	Terminal block	The numbers in the drawing indicate the terminal No.						

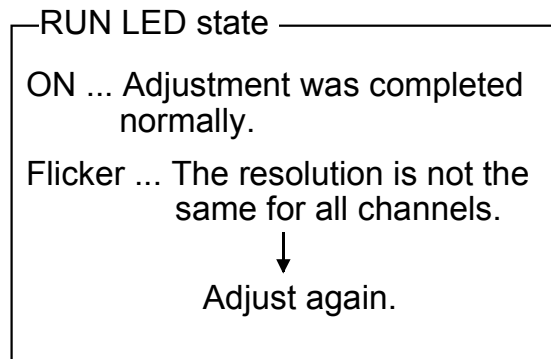
3.2 Setting the offset and gain

Use the following procedure to change the input/output conversion characteristics.

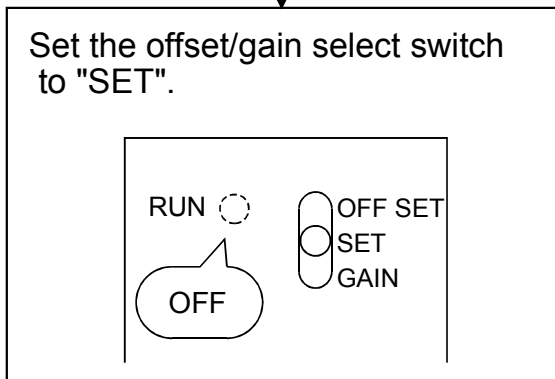
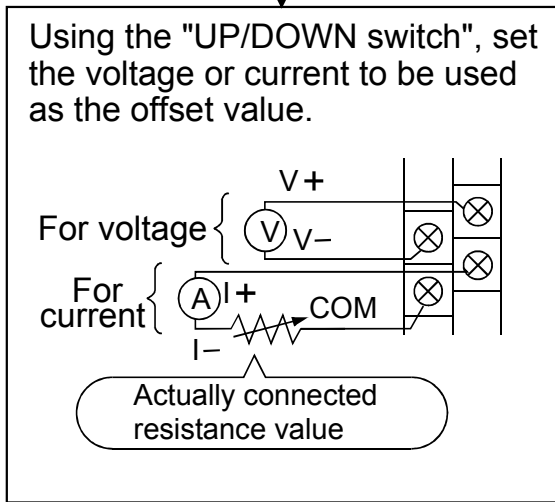
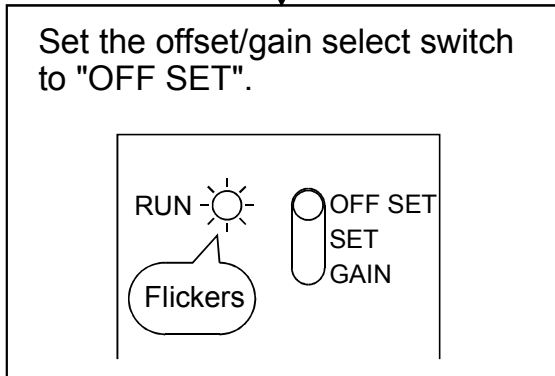




* The state of the RUN LED after the adjustment is shown below.

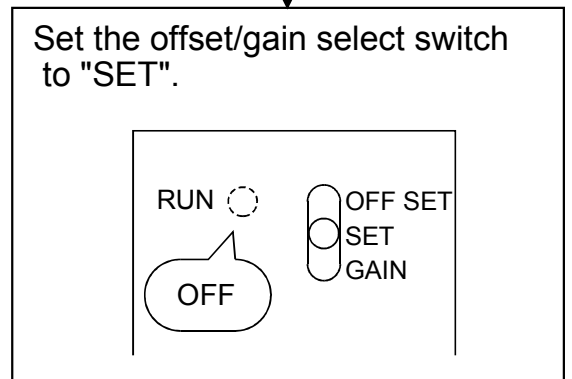
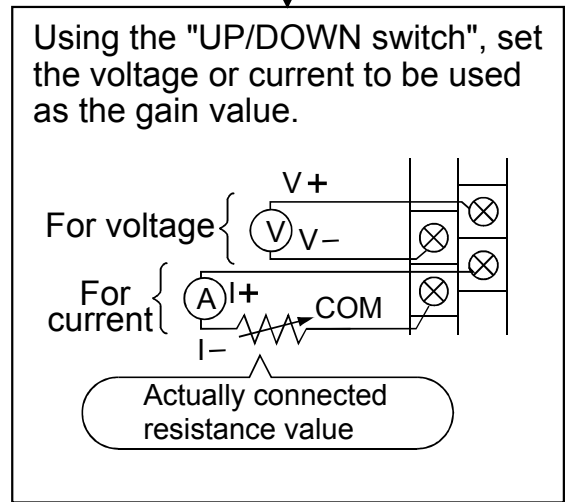
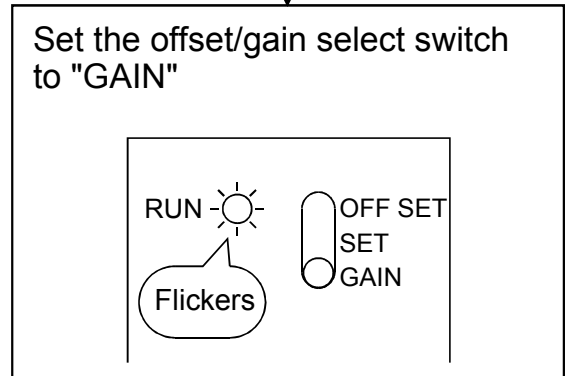


(A)



(2)

(2)



(B)

Remark

The offset value and gain values are set as follows.

(1) A/D conversion section

- (a) The offset value is the analog input value (voltage or current) at which the digital output value is "0".
- (b) The gain value is the analog input value (voltage or current) at which the digital output value is one of the following.
 - 1. 2000 (resolution 1/4000)
 - 2. 4000 (resolution 1/8000)
 - 3. 6000 (resolution 1/12000)

(2) D/A conversion section

- (a) The offset value is the analog value (voltage or current) output from the A1S63ADA when the digital value is "0".
- (b) The gain value is the analog value (voltage or current) output from the A1S63ADA when the digital value is one of the following.
 - 1. 4000 (resolution 1/4000)
 - 2. 8000 (resolution 1/8000)
 - 3. 12000 (resolution 1/12000)

4. HANDLING

4.1 Precautions for handling

- (1) As the body case and terminal block are made of resin, do not drop these or apply strong impacts.
- (2) Do not remove the module's PCB from the case. Failure to observe this could lead to faults.
- (3) Make sure that foreign matter such as wire scraps do not enter the module from the top while wiring. If any foreign matter enters, remove it.
- (4) Tighten the module tightening screws and terminal screws, etc., within the following range.

Screw position	Tightening torque range
Module tightening screw (M4 screw)	78 to 118N • cm
Terminal block terminal screw (M3.5 screw)	59 to 88N • cm
Terminal block installation screw (M4 screw)	78 to 118N • cm

5. WIRING

The precautions for wiring and examples of connecting the module are given in this section.

5.1 Precautions for wiring

One condition for creating a highly reliable system and using the A1S63ADA functions to the fullest is to carry out wiring that is not easily "affected by noise".

Precautions for wiring are given below.

- (1) Use separate cables for the alternating current and A1S63ADA analog input, and make sure that the alternating current side is not affected by surge or induction.
- (2) Do not wire near or with the main circuit wires, high-voltage wires or load wire other than from the PLC. If laid close together, the wires will be affected by noise, surge and induction.
- (3) Ground the shield wire or the shield of the shield cable at one point on the PLC side.

Note that depending on the state of noise from the external source, these should be grounded on the external side.

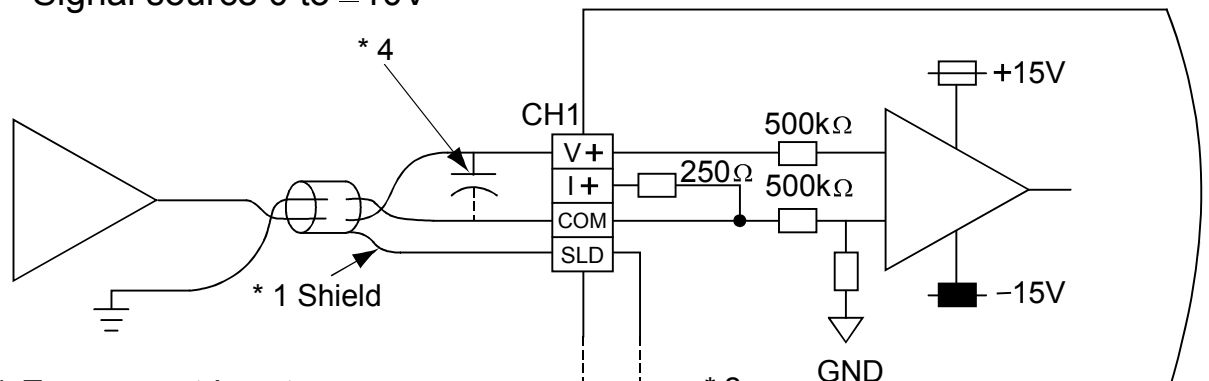
5.2 Example of module connection

The method for wiring the A1S63ADA is shown below.

(1) CH1 and CH2

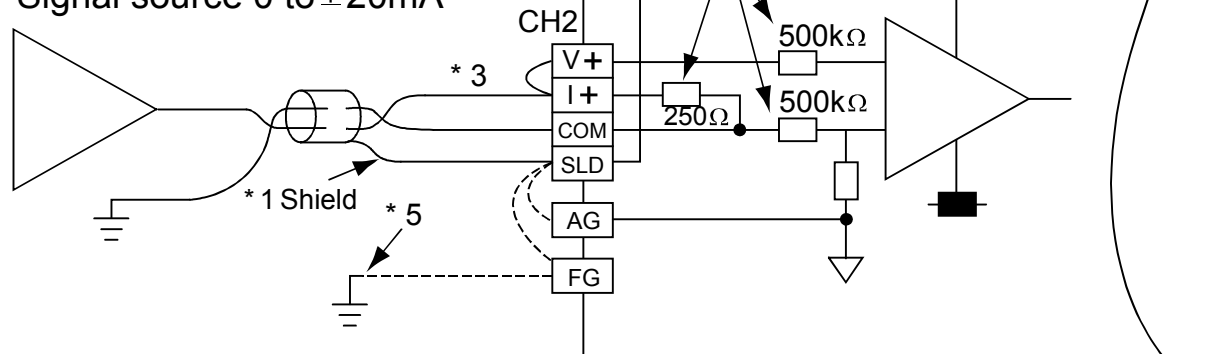
(a) For voltage input

Signal source 0 to $\pm 10V$



(b) For current input

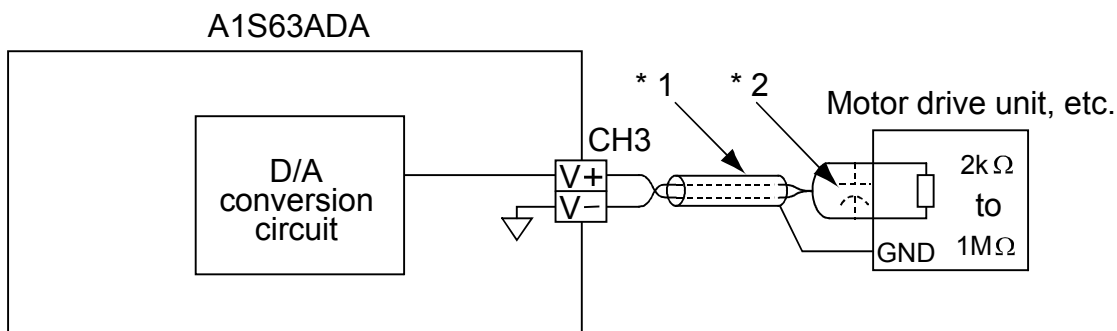
Signal source 0 to $\pm 20mA$



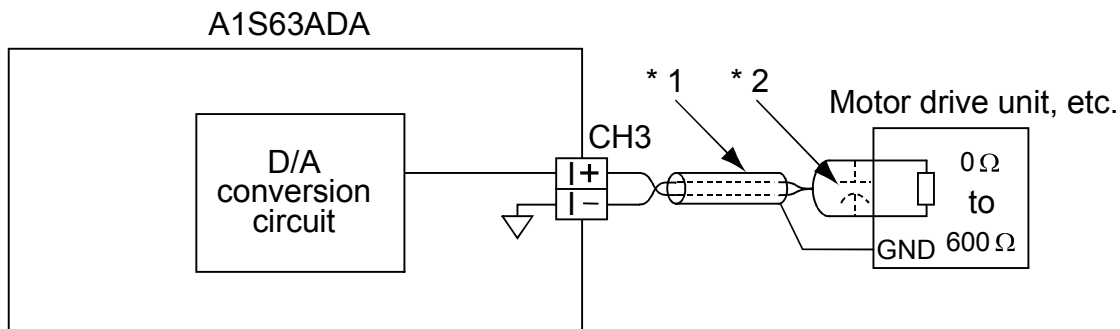
- *1: Use a 2-core twisted shield wire for the wire.
 - *2: This indicates the A1S63ADA input resistance.
 - *3: When inputting the current, always connect the (V+) and (I+) terminals.
 - *4: If noise or ripple is generated in the external wire, connect an approx. 0.1 to 0.47 μ F 25WV capacitor between terminal V and COM.
 - *5: If there are high levels of noise, always ground. There may be cases where the power supply unit FG or main module FG should also be grounded.
- If the grounding wire is changed (connected or disconnected) after setting the offset value and gain value, set the offset value and gain value again.

(2) CH3

(a) For voltage output



(b) For current output

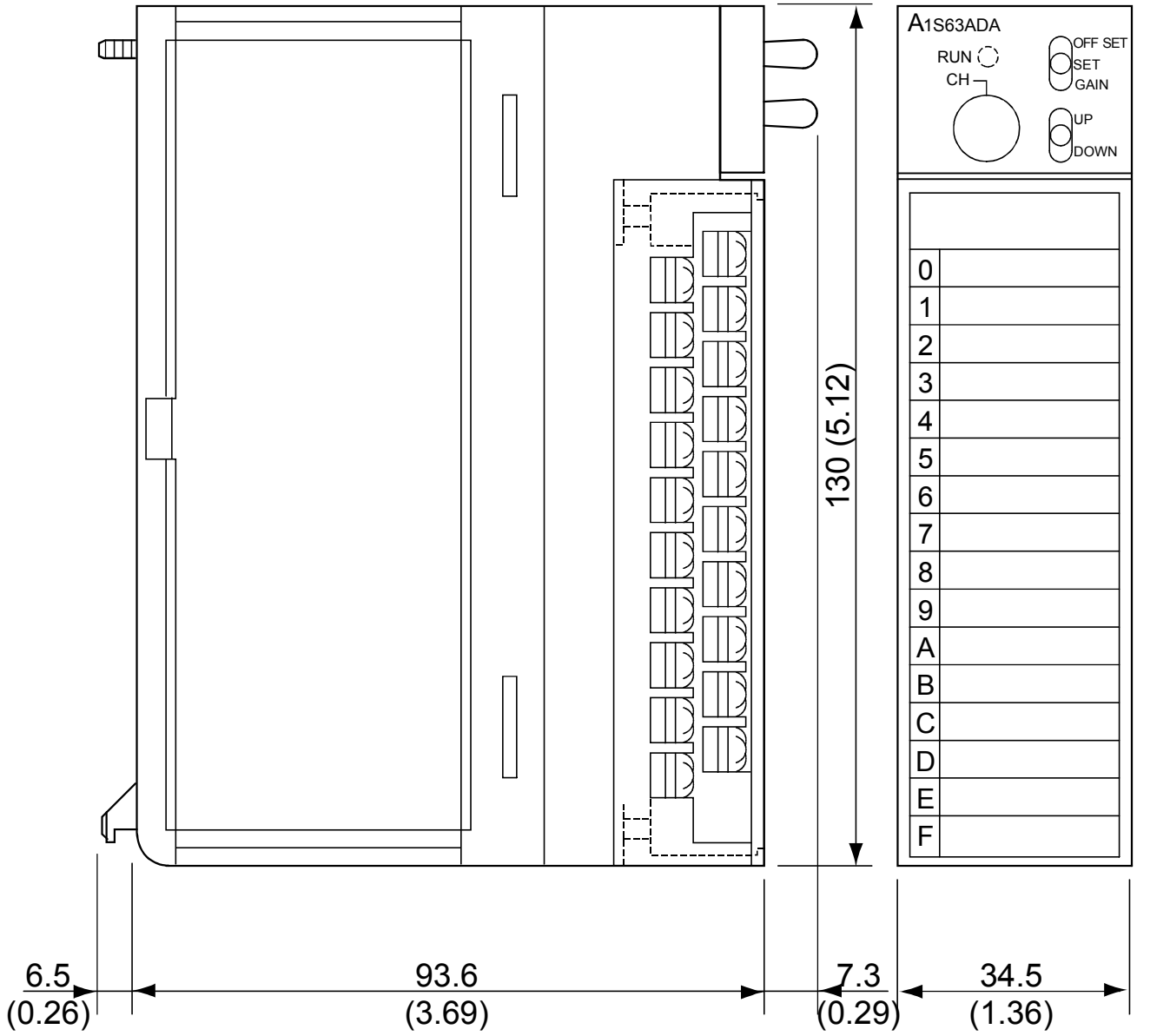


- *1: Use a 2-core twisted shield wire for the wire.
- *2: If noise or ripple is generated in the external wiring, connect a 0.1 to 0.47 μ F capacitor (approximate 25V or more withstand voltage) between the terminal V and COM.

IMPORTANT

The voltage and current output of the same channel cannot be used simultaneously.
The internal element will be damaged if used together, so always open the terminals that are not in use.

6. EXTERNAL DIMENSIONS DIAGRAM



Unit: mm(inch)

Warranty

Mitsubishi will not be held liable for damage caused by factors found not to be the cause of Mitsubishi; machine damage or lost profits caused by faults in the Mitsubishi products; damage, secondary damage, accident compensation caused by special factors unpredictable by Mitsubishi; damages to products other than Mitsubishi products; and to other duties.

For safe use

- This product has been manufactured as a general-purpose part for general industries, and has not been designed or manufactured to be incorporated in a device or system used in purposes related to human life.
- Before using the product for special purposes such as nuclear power, electric power, aerospace, medicine or passenger movement vehicles, consult with Mitsubishi.
- This product has been manufactured under strict quality control. However, when installing the product where major accidents or losses could occur if the product fails, install appropriate backup or failsafe functions in the system.

Country/Region	Sales office/Tel	Country/Region	Sales office/Tel
U.S.A	Mitsubishi Electric Automation Inc. 500 Corporate Woods Parkway Vernon Hills, IL 60061, U.S.A. Tel : +1-847-478-2100	Hong Kong	Mitsubishi Electric Automation (Hong Kong) Ltd. 10th Floor, Manulife Tower, 169 Electric Road, North Point, Hong Kong Tel : +852-2887-8870
Brazil	MELCO-TEC Rep. Com.e Assessoria Tecnica Ltda. Rua Correia Dias, 184, Edificio Paraiso Trade Center-8 andar Paraiso, Sao Paulo, SP Brazil Tel : +55-11-5908-8331	China	Mitsubishi Electric Automation (Shanghai) Ltd. 4/F Zhi Fu Plazz, No.80 Xin Chang Road, Shanghai 200003, China Tel : +86-21-6120-0808
Germany	Mitsubishi Electric Europe B.V. German Branch Gothaer Strasse 8 D-40880 Ratingen, GERMANY Tel : +49-2102-486-0	Taiwan	Setsumo Enterprise Co., Ltd. 6F No.105 Wu-Kung 3rd.Rd, Wu-Ku Hsiang, Taipei Hsine, Taiwan Tel : +886-2-2299-2499
U.K	Mitsubishi Electric Europe B.V. UK Branch Travellers Lane, Hatfield, Hertfordshire., AL10 8XB, U.K. Tel : +44-1707-276100	Korea	Mitsubishi Electric Automation Korea Co., Ltd. 1480-6, Gayang-dong, Gangseo-ku Seoul 157-200, Korea Tel : +82-2-3660-9552
Italy	Mitsubishi Electric Europe B.V. Italian Branch Centro Dir. Colleoni, Pal. Perseo-Ingr.2 Via Paracelso 12, I-20041 Agrate Brianza., Milano, Italy Tel : +39-039-60531	Singapore	Mitsubishi Electric Asia Pte, Ltd. 307 Alexandra Road #05-01/02, Mitsubishi Electric Building, Singapore 159943 Tel : +65-6470-2460
Spain	Mitsubishi Electric Europe B.V. Spanish Branch Carretera de Rubi 76-80, E-08190 Sant Cugat del Valles, Barcelona, Spain Tel : +34-93-565-3131	Thailand	Mitsubishi Electric Automation (Thailand) Co., Ltd. Bang-Chan Industrial Estate No.111 Moo 4, Serithai Rd, T.Kannayao, A.Kannayao, Bangkok 10230 Thailand Tel : +66-2-517-1326
France	Mitsubishi Electric Europe B.V. French Branch 25, Boulevard des Bouvets, F-92741 Nanterre Cedex, France TEL: +33-1-5568-5568	Indonesia	P.T. Autoteknindo Sumber Makmur Muara Karang Selatan, Block A/Utara No.1 Kav. No.11 Kawasan Industri Pergudangan Jakarta - Utara 14440, P.O.Box 5045 Jakarta, 11050 Indonesia Tel : +62-21-6630833
South Africa	Circuit Breaker Industries Ltd. Private Bag 2016, ZA-1600 Isando, South Africa Tel : +27-11-928-2000	India	Messung Systems Pvt, Ltd. Electronic Sadan NO:III Unit No15, M.I.D.C Bhosari, Pune-411026, India Tel : +91-20-2712-3130
		Australia	Mitsubishi Electric Australia Pty. Ltd. 348 Victoria Road, Rydalmere, N.S.W 2116, Australia Tel : +61-2-9684-7777

MITSUBISHI ELECTRIC CORPORATION

HEAD OFFICE : TOKYO BUILDING, 2-7-3 MARUNOUCHI, CHIYODA-KU, TOKYO 100-8310, JAPAN
NAGOYA WORKS : 1-14, YADA-MINAMI 5-CHOME, HIGASHI-KU, NAGOYA, JAPAN

When exported from Japan, this manual does not require application to the Ministry of Economy, Trade and Industry for service transaction permission.

Specifications subject to change without notice.
Printed in Japan on recycled paper.