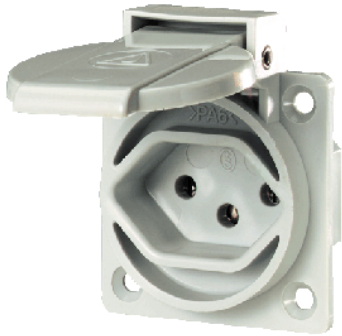
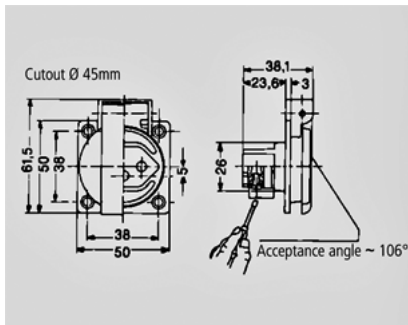


Grounding-type panel mounted receptacle - Part no. 10085

- Swiss standard
- type 13
- with hinged lid
- 3 screw terminals
- receptacle cannot be combined with enclosure base part no. 10714, 10715 or 10716

Technical information

Ampere	10 A
Poles	3 p
Voltage	230V
Shutter	no
Connection technology	Screw terminals
Contact	standard
Protection type	IP 54

Drawing
1 MB 423

Dim. in mm