

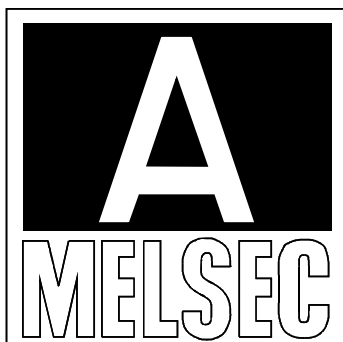
MITSUBISHI

Type A1S JH CPU

Mitsubishi Programmable Controller User's Manual (Hardware)

Thank you for purchasing the Mitsubishi programmable controller
MELSEC-A series.

**Prior to use, please read both this and relevant manuals
thoroughly to fully understand the product.**



MODEL	A1SJCPU(H/W)-U-E
MODEL CODE	13JE60
IB(NA)-66469-L(0810)MEE	

● SAFETY PRECAUTIONS ●

(Be sure to read these instructions before use.)

Before using the product, read this and relevant manuals carefully and handle the product correctly with full attention to safety.

In this manual, ● SAFETY PRECAUTIONS ● are classified into 2 levels: "DANGER" and "CAUTION".




DANGER

Indicates that incorrect handling may cause hazardous conditions, resulting in death or severe injury.



CAUTION

Indicates that incorrect handling may cause hazardous conditions, resulting in minor or moderate injury and/or property damage.

Under some circumstances, failure to observe the  **CAUTION** level instructions may also lead to serious results.

Be sure to observe the instructions of both levels to ensure the safety.

Please keep this manual in a safe place for future reference and also pass this manual on to the end user.

[DESIGN PRECAUTIONS]

DANGER

- Create a safety circuit outside the programmable controller to ensure the whole system will operate safely even if an external power failure or a programmable controller failure occurs.
Otherwise, incorrect output or malfunction may cause an accident.
 - (1) For an emergency stop circuit, protection circuit and interlock circuit that is designed for incompatible actions such as forward/reverse rotation or for damage prevention such as the upper/lower limit setting in positioning, any of them must be created outside the programmable controller.
Install the emergency stop switch outside the controlpanel so that workers can operate it easily.

[DESIGN PRECAUTIONS]



- (2) When the programmable controller detects the following error conditions, it stops the operation and turn off all the outputs.
- The overcurrent protection device or overvoltage protection device of the power supply module is activated.
 - The programmable controller CPU detects an error such as a watchdog timer error by the self-diagnostics function.

In the case of an error of a part such as an I/O control part that cannot be detected by the programmable controller CPU, all the outputs may turn on. In order to make all machines operate safely in such a case, set up a fail-safe circuit or a specific mechanism outside the programmable controller.

Refer to "LOADING AND INSTALLATION" in this manual for example fail safe circuits.

- (3) Depending on the failure of the output module's relay or transistor, the output status may remain ON or OFF incorrectly. For output signals that may lead to a serious accident, create an external monitoring circuit.
- If load current more than the rating or overcurrent due to a short circuit in the load has flowed in the output module for a long time, it may cause a fire and smoke. Provide an external safety device such as a fuse.
 - Design a circuit so that the external power will be supplied after power-up of the programmable controller.
Activating the external power supply prior to the programmable controller may result in an accident due to incorrect output or malfunction.
 - For the operation status of each station at a communication error in data link, refer to the respective data link manual.
The communication error may result in an accident due to incorrect output or malfunction.

[DESIGN PRECAUTIONS]

DANGER

- When controlling a running programmable controller (data modification) by connecting a peripheral device to the CPU module or a PC to a special function module, create an interlock circuit on sequence programs so that the whole system functions safely all the time.
Also, before performing any other controls (e.g. program modification, operating status change (status control)), read the manual carefully and ensure the safety.
In these controls, especially the one from an external device to a programmable controller in a remote location, some programmable controller side problem may not be resolved immediately due to failure of data communications.
To prevent this, create an interlock circuit on sequence programs and establish corrective procedures for communication failure between the external device and the programmable controller CPU.
- When setting up the system, do not allow any empty slot on the base unit. If any slot is left empty, be sure to use a blank cover (A1SG60) or a dummy module (A1SG62) for it.
When using the extension base unit, A1S52B, A1S55B or A1S58B, attach the included dustproof cover to the module in slot 0.
Otherwise, internal parts of the module may be fried in the short circuit test or when an overcurrent or overvoltage is accidentally applied to external I/O section.

CAUTION

- Do not install the control lines or communication cables together with the main circuit or power lines, or bring them close to each other. Keep a distance of 100mm (3.94inch) or more between them. Failure to do so may cause malfunctions due to noise.
- When an output module is used to control the lamp load, heater, solenoid valve, etc., a large current (ten times larger than the normal one) may flow at the time that the output status changes from OFF to ON. Take some preventive measures such as replacing the output module with the one of a suitable current rating.

[INSTALLATION PRECAUTIONS]

CAUTION

- Use the programmable controller under the environment specified in the user's manual.
Otherwise, it may cause electric shocks, fires, malfunctions, product deterioration or damage.
- Insert the module fixing projection into the fixing hole in the base unit and then tighten the module mounting screw within the specified torque.
When no screw is tightened, even if the module is installed correctly, it may cause malfunctions, a failure or a drop of the module.
Tightening the screw excessively may damage the screw and/or the module, resulting in a drop of the module, a short circuit or malfunctions.
- Connect the extension cable to the connector of the base unit or module.
Check the cable for incomplete connection after connecting it.
Poor electrical contact may cause incorrect inputs and/or outputs.
- Insert the memory card and fully press it to the memory card connector.
Check for incomplete connection after installing it.
Poor electrical contact may cause malfunctions.
- Be sure to shut off all phases of the external power supply used by the system before mounting or removing the module. Failure to do so may damage the module.
- Do not directly touch the conductive part or electronic components of the module.
Doing so may cause malfunctions or a failure of the module.

[WIRING PRECAUTIONS]

DANGER

- Be sure to shut off all phases of the external power supply used by the system before wiring.
Failure to do so may result in an electric shock or damage of the product.
- Before energizing and operating the system after wiring, be sure to attach the terminal cover supplied with the product.
Failure to do so may cause an electric shock.

CAUTION

- Always ground the FG and LG terminals to the protective ground conductor.
Failure to do so may cause an electric shock or malfunctions.
- Wire the module correctly after confirming the rated voltage and terminal layout.
Connecting a power supply of a different voltage rating or incorrect wiring may cause a fire or failure.
- Do not connect multiple power supply modules to one module in parallel.
The power supply modules may be heated, resulting in a fire or failure.
- Press, crimp or properly solder the connector for external connection with the specified tool.
Incomplete connection may cause a short circuit, fire or malfunctions.
- Tighten terminal screws within the specified torque range. If the screw is too loose, it may cause a short circuit, fire or malfunctions.
If too tight, it may damage the screw and/or the module, resulting in a short circuit or malfunctions.
- Carefully prevent foreign matter such as dust or wire chips from entering the module.
Failure to do so may cause a fire, failure or malfunctions.
- Install our programmable controller in a control panel for use.
Wire the main power supply to the power supply module installed in a control panel through a distribution terminal block.
Furthermore, the wiring and replacement of a power supply module have to be performed by a maintenance worker who acquainted with shock protection.
(For the wiring methods, refer to Type A1SJH(S8)/A1SH/A2SHCPU(S1) User's Manual)

[STARTUP AND MAINTENANCE PRECAUTIONS]

DANGER

- Do not touch any terminal during power distribution.
Doing so may cause an electric shock.
- Properly connect batteries. Do not charge, disassemble, heat or throw them into the fire and do not make them short-circuited and soldered. Incorrect battery handling may cause personal injuries or a fire due to exothermic heat, burst and/or ignition.
- Be sure to shut off all phases of the external power supply used by the system before cleaning or retightening the terminal screws or module mounting screws.
Failure to do so may result in an electric shock.
If they are too loose, it may cause a short circuit or malfunctions.
If too tight, it may cause damage to the screws and/or module, resulting in an accidental drop of the module, short circuit or malfunctions.

CAUTION

- When performing online operations (especially, program modification, forced output or operating status change) by connecting a peripheral device to the running CPU module, read the manual carefully and ensure the safety.
Incorrect operation will cause mechanical damage or accidents.
- Do not disassemble or modify each of modules.
Doing so may cause failure, malfunctions, personal injuries and/or a fire.
- When using a wireless communication device such as a mobile phone, keep a distance of 25cm (9.84inch) or more from the programmable controller in all directions.
Failure to do so may cause malfunctions.
- Be sure to shut off all phases of the external power supply used by the system before mounting or removing the module.
Failure to do so may result in failure or malfunctions of the module.
- Do not drop or apply any impact to the battery.
Doing so may damage the battery, resulting in electrolyte spillage inside the battery.
If any impact has been applied, discard the battery and never use it.
- Before handling modules, touch a grounded metal object to discharge the static electricity from the human body.
Failure to do so may cause failure or malfunctions of the module.

[DISPOSAL PRECAUTIONS]

 **CAUTION**

- When disposing of the product, treat it as an industrial waste.
When disposing of batteries, separate them from other wastes according to the local regulations.
(For details of the battery directive in EU member states, refer to the A1SJH/A1SH/A2SHCPU(S1) User's manual.)

[TRANSPORTATION PRECAUTIONS]

 **CAUTION**

- When transporting lithium batteries, make sure to treat them based on the transportation regulations. (Refer to Appendix 2 for details of the relevant models.)

REVISIONS

*The manual number is given on the bottom right of the front cover.

Print Date	*Manual Number	Revision
Mar., 1994	IB(NA) 66469-A	First edition
Oct., 1995	IB(NA) 66469-B	
Jan., 1996	IB(NA) 66469-C	
Jun., 1997	IB(NA) 66469-D	
Sep., 1998	IB(NA) 66469-E	<p>Correction</p> <p>Safety precautions, Chapter1, Chapter2, Chapter3, Chapter4, Chapter5</p> <p>Deletion</p> <p>Notification of CE marking, Chapter6, Chapter7, Appendix</p>
Jan., 2003	IB(NA) 66469-F	<p>Equivalent to Japanese version J</p> <p>Partial additions</p> <p>5.1, 5.2</p> <p>Partial corrections</p> <p>Safety precautions, 1.1, 3, 4.2, 4.4, 4.5.1, 4.5.2, 6.1.1</p>
Jun., 2003	IB(NA) 66469-G	<p>Partial corrections</p> <p>Safety precautions, Section 6.1.1</p> <p>Addition</p> <p>Appendix 2</p>
Dec., 2003	IB(NA) 66469-H	<p>Addition of model</p> <p>A1SY42P</p> <p>Partial corrections</p> <p>Section 3.1.4, 4.2, 5.2.1, 5.2.2</p>
Jun., 2006	IB(NA) 66469-I	<p>Partial corrections</p> <p>Safety precautions, Section 2.1, Chapter3, Section 3.1, 3.1.3, 3.2, 3.2.1, 4.4, 4.5.1, 4.5.2, 6.1.1</p> <p>Addition</p> <p>USER PRECAUTIONS, Section 4.5.3</p>

*The manual number is given on the bottom right of the front cover.

Print Date	*Manual Number	Revision
Oct., 2006	IB(NA) 66469-J	<div data-bbox="794 183 1114 228" style="border: 1px solid black; padding: 2px;">Partial corrections</div> Safety precautions, Section 1.1, Chapter3, Section 3.1.3, 3.2.4, 4.1.1,4.1.3, 4.3.2, 4.3.3, 4.5, 5.2.1, 5.2.2, 6.1
May, 2007	IB(NA) 66469-K	<div data-bbox="794 392 1114 436" style="border: 1px solid black; padding: 2px;">Partial corrections</div> Section 3.1.1, 3.1.3, 3.2.7, 4.3.2, 4.3.3, 5.1.2, 5.2.1 <div data-bbox="794 542 954 586" style="border: 1px solid black; padding: 2px;">Addition</div> Section 3.1.7
Oct., 2008	IB(NA) 66469-L	<div data-bbox="794 660 1114 705" style="border: 1px solid black; padding: 2px;">Partial corrections</div> SAFETY PRECAUTIONS, USER PRECAUTIONS, Section 3.1, 3.1.1, 3.1.2, 3.1.3, 3.2, 3.2.3, 3.2.5, 3.2.6, 3.2.7, 4.1.3, 4.2, 4.3.1, 4.3.2, 4.3.3, 5.1.1, 5.2.1, 5.2.2

Japanese Manual Version IB(NA)-68408-P

This manual confers no industrial property rights or any rights of any other kind, nor does it confer any patent licenses. Mitsubishi Electric Corporation cannot be held responsible for any problems involving industrial property rights which may occur as a result of using the contents noted in this manual.

CONTENTS	
1. SPECIFICATIONS	1
1.1 SPECIFICATIONS	1
2. PERFORMANCE SPECIFICATIONS	2
2.1 Performance Specifications	2
3. EMC DIRECTIVES AND LOW VOLTAGE DIRECTIVES	3
3.1 Requirements for Compliance with EMC Directives	3
3.1.1 EMC standards	4
3.1.2 Installation instructions for EMC Directive	5
3.1.3 Cables	6
3.1.4 Power supply module	11
3.1.5 Ferrite core	12
3.1.6 Noise filter (power supply line filter)	13
3.1.7 Power line for external power supply terminal	13
3.2 Requirements for Compliance with Low Voltage Directives	14
3.2.1 Standard applied for MELSEC-AnS series programmable controller	14
3.2.2 Precautions when using the MELSEC-AnS series programmable controller	14
3.2.3 Power supply	15
3.2.4 Control panel	15
3.2.5 Module installation	16
3.2.6 Grounding	16
3.2.7 External wiring	16
4. LOADING AND INSTALLATION	17
4.1 Installing the Module	17
4.1.1 Notes on handling the module	17
4.1.2 Installation environment	18
4.1.3 Notes on installing the base unit	19
4.2 Fail-Safe Circuit Concept	22
4.3 Wiring	28
4.3.1 Performance specifications for the A1SJHCPU built-in power supply	28
4.3.2 The precautions on the wirings	30
4.3.3 Wiring to module terminals	35
4.4 Precautions when Connecting the Uninterruptible Power Supply (UPS)	36
4.5 Parts of the CPU	37
5. SPECIFICATION AND CONNECTION OF I/O MODULES	40
5.1 Input modules	40
5.1.1 Input module specifications	40
5.1.2 Input module connections	42
5.2 Output modules	46
5.2.1 Output module specifications	46
5.2.2 Output module connections	50
5.3 Input/output combined modules	58
5.3.1 Input/output combined module specifications	58
5.3.2 Input/output composite module connections	60
6. ERROR CODES	63
6.1 Error Code List	63
6.1.1 Error codes	63
APPENDICES	72
Appendix 1 CPU-by-CPU Startup Names	72
Appendix 2 Transportation Precautions	72
Appendix 2.1 Relevant Models	72
Appendix 2.2 Transportation Guidelines	72

This manual describes EMC standards and Low-Voltage instructions the handling precautions, and error codes of: A1SJHCPU (abbreviated to CPU in this manual)

Manuals

The manuals related to A1SJHCPU are listed below.

Refer to the following manuals when necessary.

Detailed manuals

Manual Name	Manual No. (Model Code)
type A1SJH/A1SH/A2SHCPU(S1) User's manual Provides information on the performance, specifications, handling, etc. of the A1SJHCPU/A1SHCPU/A2SHCPU(S1) and on the memory cassette specifications and handling. (Sold separately)	IB-66779 (13JL22)

Related manuals

Manual Name	Manual No. (Model Code)
ACPU Programming Manual (Fundamentals) Describes programming methods necessary for creating programs, device names, parameters, program types, memory area configuration, and so on. (Sold separately)	IB-66249 (13J740)
ACPU Programming Manual (Common Instructions) Describes how to use the sequence instruction, basic instructions, applied instructions and microcomputer programs. (Sold separately)	IB-66250 (13J741)
AnSHCPU/AnACPU/AnUCPU/QCPU-A(A mode) Programming Manual (Dedicated Instructions) Describes instructions that have been expanded for A1SJHCPU/A1SHCPU/A2SHCPU(S1). (Sold separately)	IB-66251 (13J742)
AnS Module type I/O User's Manual Describes the specification of the compact building block type I/O module. (Sold separately)	IB-66541 (13JE81)

USER PRECAUTIONS

Precautions when using the AnS series

For a new CPU module, which has never used before, the contents of built-in RAM and device data are undefined.

Make sure to clear the built-in RAM memory (PC memory all clear) in the CPU module by peripheral devices and operate latch clear by RUN/STOP key switches.

Precautions for battery

(1) The operation after a battery is unmounted and the programmable controller is stored.

When reoperating after a battery is uncounted and the programmable controller is stored, the contents of built-in RAM and device data may be undefined. For this reason, make sure to clear the built-in RAM memory (PC memory all clear) in the CPU module by peripheral devices and operate latch clear by RUN/STOP key switch before start the operation again.

(2) If a battery exceeded its guaranteed life is stored and reoperated.

If a battery exceeded its guaranteed life is stored and reoperated, the contents of built-in RAM and device data may be undefined. For this reason, make sure to clear the built-in RAM memory (PC memory all clear) in the CPU module by peripheral devices and operate latch clear by RUN/STOP key switches before start the operation again.

After the built-in RAM clear and latch clear of the CPU module, write the backed-up memory contents to the CPU module before saving.

POINT	
	Make sure to back-up each memory contents before storing the programmable controller.

*: Refer to the following manuals for details of built-in RAM clear (programmable controller memory all clear) by peripheral devices.

- GX Developer Operating Manual
- A6GPP/A6PHP Operating Manual
- SW□SRX/SW□NX/SW□IVD-GPPA Operating Manual

Refer to Section 4.5 for latch clear operation by RUN/STOP key switch of the CPU module.

1. SPECIFICATIONS

1.1 SPECIFICATIONS

Table 1.1 General specification

Item	Specifications					
Ambient operating temperature	0 to 55 °C					
Ambient storage temperature	-20 to 75 °C					
Ambient operating humidity	10 to 90 % RH, No-condensing					
Ambient storage humidity	10 to 90 % RH, No-condensing					
Vibration resistance	Conforming to JIS B 3502, IEC 61131-2		Frequency	Acceleration	Amplitude	No. of sweeps
		Under intermittent vibration	10 to 57Hz	—	0.075mm (0.003in.)	10 times each in X, Y, Z directions (for 80min.)
			57 to 150Hz	9.8m/s ²	—	
		Under continuous vibration	10 to 57Hz	—	0.035mm (0.001in.)	
57 to 150Hz	4.9m/s ²		—			
Shock resistance	Conforming to JIS B 3502, IEC 61131-2 (147m/s ² , 3 times in each of 3 directions X Y Z)					
Operating ambience	No corrosive gases					
Operating elevation *3	2000m (6562ft.) max.					
Installation location	Control panel					
Over voltage category *1	II max.					
Pollution level *2	2 max.					
Equipment category	Class I					

- *1 : This indicates the section of the power supply to which the equipment is assumed to be connected between the public electrical power distribution network and the machinery within premises. Category II applies to equipment for which electrical power is supplied from fixed facilities. The surge voltage withstand level for up to the rated voltage of 300 V is 2500 V.
- *2 : This index indicates the degree to which conductive material is generated in terms of the environment in which the equipment is used. Pollution level 2 is when only non-conductive pollution occurs. A temporary conductivity caused by condensing must be expected occasionally.
- *3 : Do not use or store the PC in the environment when the pressure is higher than the atmospheric pressure at sea level. Otherwise, malfunction may result. To use the PC in high-pressure environment, contact your nearest Mitsubishi representative.

2. PERFORMANCE SPECIFICATIONS

2.1 Performance Specifications

The memory capacities of A1SJHCPU module, performances of devices, etc., are presented below.

Table 2.1 Performance specifications

Item	Type	A1SJHCPU
Control system		Repeated operation (using stored program)
I/O control method		Refresh mode/Direct mode selectable
Programming language		Language dedicated to sequence control. Relay symbol type and logic symbolic language, MELSAP-II (SFC)
Number of instructions (types)		Sequence instructions : 26
		Basic instructions : 131
		Application instructions : 106
		CC-Link dedicated instructions : 8
Processing speed (sequence instruction)		Direct : 0.33 to 2.3 μ s/step Refresh : 0.33 μ s/step
Number of I/O device points		2048 *2
Number of I/O points		256
Watchdog timer (WDT)		10 to 2000 ms
Memory capacity *1 (built-in RAM)		64 k bytes
Program capacity	Main sequence	Max. 8 k steps
	Sub sequence	None
Self-diagnostics functions		Watchdog error monitor, Memory error detection, CPU error detection, I/O error detection, Battery error detection, etc.
Operation mode at the time of error		STOP/CONTINUE
STOP → RUN output mode		Output data at time of STOP restored/data output after operation execution
Clock function		Year, month, day, hour, minute, second (Automatically recognizes leap years.)
		Accuracy -3.1 to +5.3 s (TYP. +1.7 s)/d at 0 °C -1.6 to +5.3 s (TYP. +2.4 s)/d at 25°C -9.6 to +3.6 s (TYP. -2.1 s)/d at 55 °C
Allowable momentary power failure period		20 ms (100 V AC or more for the A1SJHCPU(S8).)
Current consumption (5 V DC)		0.3 A
Weight		1.00 kg
Standard		UL/cUL

*1 The maximum total memory that can be used for parameters, T/C set values, program capacity, file registers, number of comments, sampling trace, and status latch is 32 k/64 k bytes. The memory capacity is fixed. No expansion memory is available.

*2 The I/O device after the actual input points can be used as MELSECNET(/B), MELSECNET/MINI-S3, or CC-Link.

3.1.1 EMC standards

When the programmable controller is installed following the directions given in this manual its EMC performance is compliant to the following standards and levels as required by the EMC directive.

Specifications	Test Item	Test Description	Standard Values
EN61000-6-4 (2001)	EN55011 *2 Radiated noise	Measure the emission released by the product.	30M-230 M Hz QP: 30dB μ V/m (30m measurement) *1 230M-1000MHz QP: 37dB μ V/m (30m measurement) *1
	EN55011 *2 Conduction noise	Measure the emission released by the product to the power line.	150k-500kHz QP: 79dB, Mean: 66dB*1 500k-30MHz QP:73dB, Mean: 60dB *1
EN61131-2/A 12 (2000)	EN61000-4-2 *2 Static electricity immunity	Immunity test by applying static electricity to the module enclosure.	4kV contact discharge 8kV air discharge
	EN61000-4-4 *2 First transient burst noise	Immunity test by applying burst noise to the power line and signal line.	2kV Power line 1kV Signal line
	EN61000-4-12 *2 Damped oscillatory wave	Immunity test in which a damped oscillatory wave is superimposed on the power line.	1kV
	EN61000-4-3 *2 Radiated electromagnetic field	Immunity test by applying a radiated electric field to the product.	10V/m, 26-1000MHz
EN61000-6-2 (2001)	EN61000-4-6 *2 Conduction noise	Immunity test by inducing an electromagnetic field in the power line signal line.	10 V/ms, 0.15-80MHZ, 80% AM modulation@1kHz

*1: QP: Quasi-peak value, Mean: Average value

*2: The programmable controller is an open type device (device installed to another device) and must be installed in a conductive control panel.

The tests for the corresponding items were performed while the programmable controller was installed inside the control panel.

3.1.2 Installation instructions for EMC Directive

The programmable controller is open equipment and must be installed within a control cabinet for use.* This not only ensures safety but also ensures effective shielding of programmable controller-generated electromagnetic noise.

* : Also, each network remote station needs to be installed inside the control panel.

However, the waterproof type remote station can be installed outside the control panel.

(1) Control cabinet

- (a) Use a conductive control cabinet.
- (b) When attaching the control cabinet's top plate or base plate, mask painting and weld so that good surface contact can be made between the cabinet and plate.
- (c) To ensure good electrical contact with the control cabinet, mask the paint on the installation bolts of the inner plate in the control cabinet so that contact between surfaces can be ensured over the widest possible area.
- (d) Earth the control cabinet with a thick wire so that a low impedance connection to ground can be ensured even at high frequencies.
- (e) Holes made in the control cabinet must be 10 cm (3.94 in.) diameter or less. If the holes are 10 cm (3.94 in.) or larger, radio frequency noise may be emitted.
- (f) Lock the control panel so that only those who are trained and have acquired enough knowledge of electric facilities can open the control panel.

(2) Connection of power and earth wires

Earthing and power supply wires for the programmable controller system must be connected as described below.

- (a) Provide an earthing point near the power supply module. Earth the power supply's LG and FG terminals (LG : Line Ground, FG : Frame Ground) with the thickest and shortest wire possible. (The wire length must be 30 cm (11.18 in.) or shorter.) The LG and FG terminals function is to pass the noise generated in the programmable controller system to the ground, so an impedance that is as low as possible must be ensured. In addition, make sure to wire the ground cable short as the wires are used to relieve the noise, the wire itself carries large noise content and thus short wiring means that the wire is prevented from acting as an antenna.
- (b) The earth wire led from the earthing point must be twisted with the power supply wires. By twisting with the earthing wire, noise flowing from the power supply wires can be relieved to the earthing. However, if a filter is installed on the power supply wires, the wires and the earthing wire may not need to be twisted.

3.1.3 Cables

The cables pulled out of the control panel contain a high frequency noise component. On the outside of the control panel, therefore, they serve as antennas to emit noise.

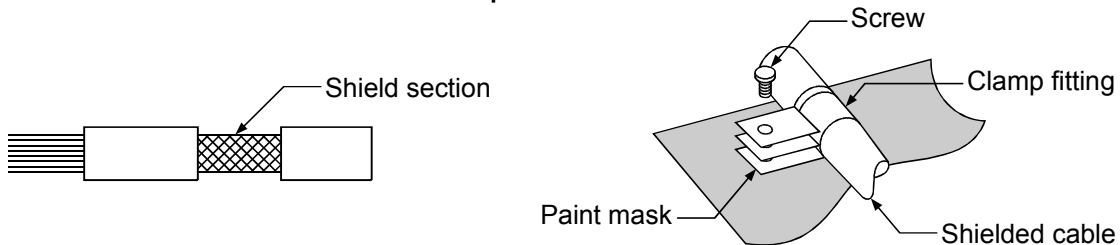
Ensure to use shielded cables for the cables, which are connected to the I/O modules, special modules and those pulled out to outside of the control panel. Mounting ferrite core is not required except some types of CPU however, noise emanated via the cable can be restrained using it.

The use of a shielded cable also increases noise resistance. The signal lines (including common line) connected to the programmable controller input/output modules and intelligent modules use shielded cables to assure noise resistance, as a condition, standardized on EN61131-2/A12(2000).

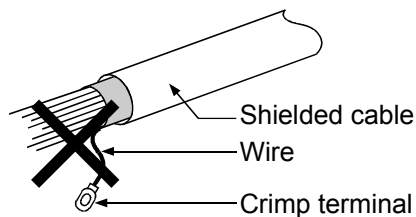
If a shielded cable is not used or not earthed correctly, the noise resistance will be less than the rated value

(1) Earthing of shielded of cables

- (a) Earth the shield of the shielded cable as near the unit as possible taking care so that the earthed cables are not induced electromagnetically by the cable to be earthed.
- (b) Take appropriate measures so that the shield section of the shielded cable from which the outer cover was partly removed for exposure is earthed to the control panel on an increased contact surface. A clamp may also be used as shown in the figure below. In this case, however, apply a cover to the painted inner wall surface of the control panel which comes in contact with the clamp.

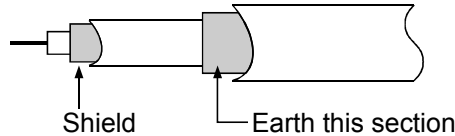


Note) The method of earthing by soldering a wire onto the shield section of the shielded cable as shown below is not recommended. The high frequency impedance will increase and the shield will be ineffective.



(2) MELSECNET (II) and MELSECNET/10 units

- (a) Use a double-shielded coaxial cable for the MELSECNET unit which uses coaxial cables. Noise in the range of 30 MHz or higher in radiation noise can be suppressed by the use of double-shielded coaxial cables (Mitsubishi Cable: 5C-2V-CCY). Earth the outer shield to the ground. The precautions on shielding to be followed are the same as those stated in item (1) above.

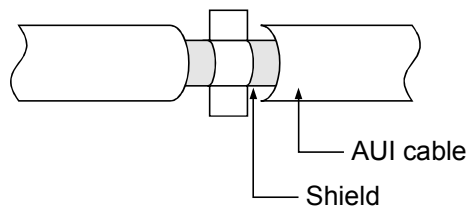


- (b) Ensure to attach a ferrite core to the double-shielded coaxial cable connected to the MELSECNET unit. In addition, position the ferrite core on each cable near the outlet of the control panel. TDK-make ZCAT3035 ferrite core is recommended.

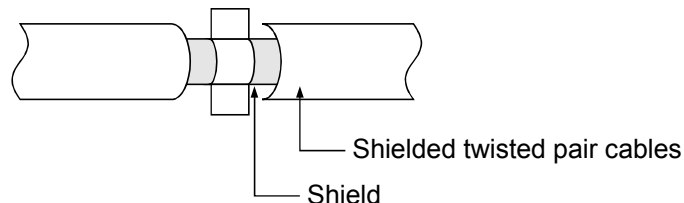
(3) Ethernet module

Precautions to be followed when AUI cables and coaxial cables are used are described below.

- (a) Ensure to earth also the AUI cables connected to the 10BASE5 connectors of the A1SJ71QE71-B5. Because the AUI cable is of the shielded type, as shown in the figure below, partly remove the outer cover of it, and earth the exposed shield section to the ground on the widest contact surface.



- (b) Use shielded twisted pair cables as the twisted pair cables*1 connected to the 10BASE-T connectors. For the shielded twisted pair cables, strip part of the outer cover and earth the exposed shield section to the ground on the widest contact surface as shown below.

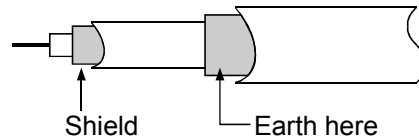


Refer to (1) for the earthing of the shield.

*1: Make sure to install a ferrite core for the cable.

As a ferrite core, ZCAT2035 manufactured by TDK is recommended.

(c) Always use double-shielded coaxial cables as the coaxial cables*2 connected to the 10BASE2 connectors. Earth the double-shielded coaxial cable by connecting its outer shield to the ground.



Refer to (1) for the earthing of the shield.

*2: Make sure to install a ferrite core for the cable.

As a ferrite core, ZCAT2035 manufactured by TDK is recommended.

Ethernet is the registered trademark of XEROX, Co.,LTD

(4) I/O and other communication cables

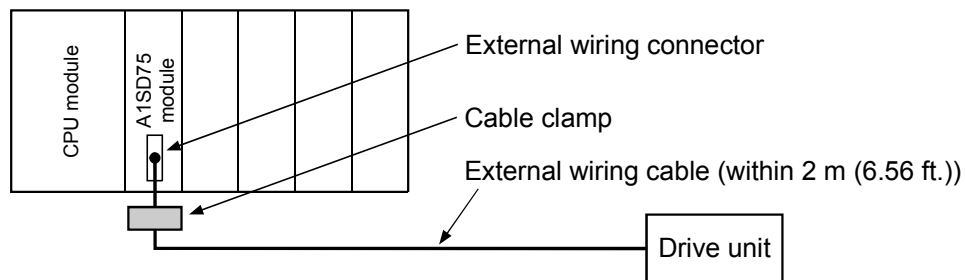
For the I/O signal lines (including common line) and other communication cables (RS-232, RS-422, etc), if extracted to the outside of the control panel, also ensure to earth the shield section of these lines and cables in the same manner as in item (1) above.

(5) Positioning Modules

Precautions to be followed when the machinery conforming to the EMC Directive is configured using the A1SD75P□-S3 are described below.

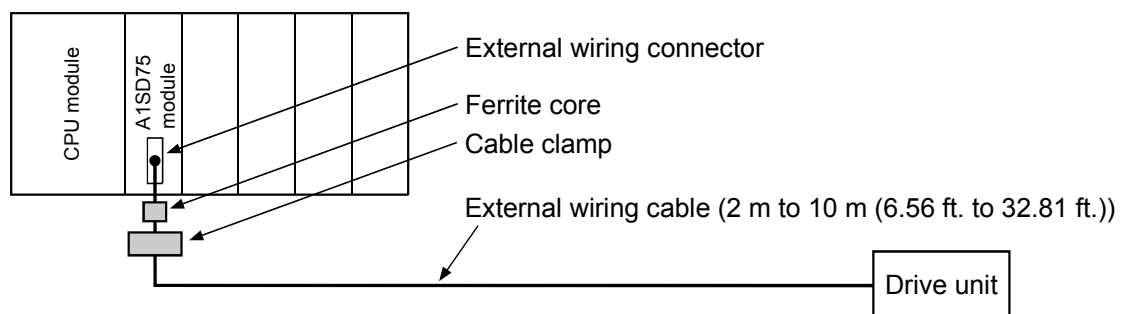
(a) When wiring with a 2 m (6.56 ft.) or less cable

- Ground the shield section of the external wiring cable with the cable clamp.
(Ground the shield at the closest location to the A1SD75 external wiring connector.)
- Wire the external wiring cable to the drive unit and external device with the shortest practicable length of cable.
- Install the drive unit in the same panel.



(b) When wiring with cable that exceeds 2 m (6.56 ft.), but is 10 m (32.81 ft.) or less

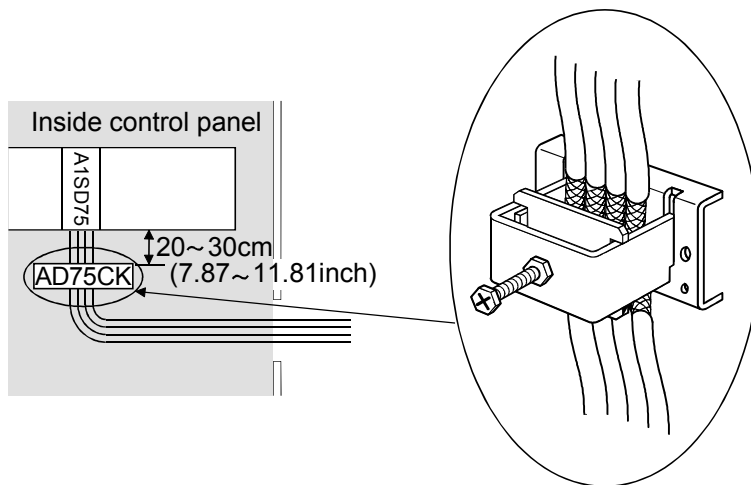
- Ground the shield section of the external wiring cable with the cable clamp.
(Ground the shield at the closest location to the A1SD75 external wiring connector.)
- Install a ferrite core.
- Wire the external wiring cable to the drive unit and external device with the shortest practicable length of cable.



(c) Ferrite core and cable clamp types and required quantities

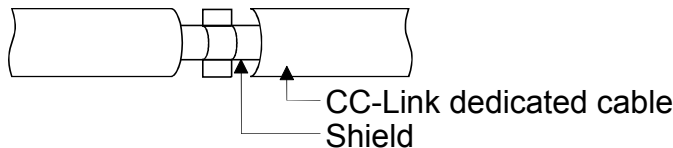
- Cable clamp
Type : AD75CK (Mitsubishi Electric)
- Ferrite core
Type : ZCAT3035-1330 (TDK ferrite core)
- Required quantity

Cable length	Prepared part	Required Qty		
		1 axis	2 axes	3 axes
Within 2 m (6.56 ft.)	AD75CK	1	1	1
2 m (6.56 ft.) to 10m (32.81 ft.)	AD75CK	1	1	1
	ZCAT3035-1330	1	2	3



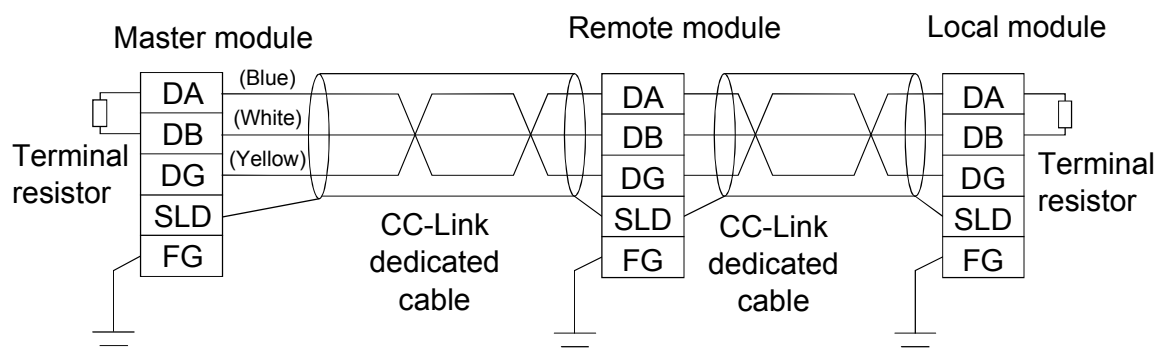
(6) CC-Link Module

- (a) Be sure to ground the cable shield that is connected to the CC-Link module close to the exit of control panel or to any of the CC-Link stations within 30 cm (11.81 in.) from the module or stations. The CC-Link dedicated cable is a shielded cable. As shown in the illustration below, remove a portion of the outer covering and ground as large a surface area of the exposed shield part as possible.



- (b) Always use the specified CC-Link dedicated cable.
- (c) The CC-Link module, the CC-Link stations and the FG line inside the control panel should be connected at both the FG terminal and the SLD terminal as shown in the diagram below.

[Simplified diagram]



- (d) Power line connecting to the external power supply terminal (compliant with I/O power port of CE standard) should be 30m (98.43 ft.) or less. Power line connecting to module power supply terminal (compliant with main power port of CE standard) should be 10m (32.81 ft.) or less.
- (e) A power line connecting to the analog input of the following modules should be 30cm or less.
- AJ65BT-64RD3
 - AJ65BT-64RD4
 - AJ65BT-68TD

(7) Measures against static electricity

When using an insulation displacement connector without connector cover, a connected cable for the connector is thin in applicable wire size and coating. Therefore, note that the module may cause an electric discharge failure.

As measures against the failure, using pressure-displacement type connector whose applicable wire size is thick or soldering type connector is recommended.

3.1.4 Power supply module

The precautions required for each power supply module are described below. Always observe the items noted as precautions.

Model	Precautions
A1S61PN, A1S62PN	Make sure to short and ground the LG and FG terminals.*2
A1S63P*10	Use the 24VDC panel power equipment conforming to the EU Directive.

*1: If sufficient filter circuitry is built into the 24 VDC external power supply module, the noise generated by A1S63P will be absorbed by that filter circuit, so a line filter may not be required.

Filtering circuitry of version F or later of A1S63P is improved so that an external line filter is not required.

*2: To ensure the compliance with CE (EN6111-21/A11), make sure to short the LG and FG terminals using a wire of 6 to 7cm.

3.1.5 Ferrite core

A ferrite core has the effect of reducing radiated noise in the 30 M Hz to 100 M Hz band. With the exception of some models, it is not required to fit ferrite cores to cables, but it is recommended to fit ferrite cores if shield cables pulled out of the enclosure do not provide sufficient shielding effects.*1 The ferrite cores used in our tests are TDK's ZCAT3035.

It should be noted that the ferrite cores should be fitted to the cables in the position immediately before they are pulled out of the enclosure. If the fitting position is improper, the ferrite will not produce any effect.

*1:To response with CE(EN61131-2/A12), make sure to mount 2 or more ferrite cores onto the power supply line. The mounting position should be as near the power supply module as possible.

Ferrite core

Type: ZCAT2235-1030A (TDK ferrite core)

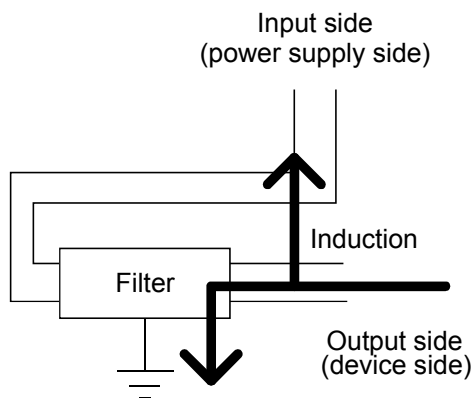
3.1.6 Noise filter (power supply line filter)

A noise filter is a component which has an effect on conducted noise. With the exception of some models, it is not required to fit the noise filter to the power supply line, but fitting it can further suppress noise. (The noise filter has the effect of reducing conducted noise of 10 M Hz or less.) Use any of the following noise filters (double π type filters) or equivalent.

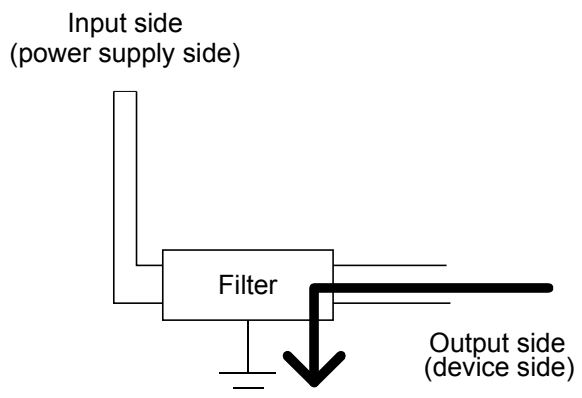
Model name	FN343-3/01	FN660-6/06	ZHC2203-11
Manufacturer	SCHAFFNER	SCHAFFNER	TDK
Rated current	3 A	6 A	3 A
Rated voltage	250 V		

The precautions required when installing a noise filter are described below.

- (1) Do not bundle the wires on the input side and output side of the noise filter. When bundled, the output side noise will be induced into the input side wires from which the noise was filtered.



- (a) The noise will be included when the input and output wires are bundled.



- (b) Separate and lay the input and output wires.

- (2) Earth the noise filter earthing terminal to the control cabinet with the shortest wire possible (approx. 10 cm (3.94 in.)).

3.1.7 Power line for external power supply terminal

The power line connecting to the external power supply terminal of the module should be 30m (98.43 ft.) or less.

3.2 Requirements for Compliance with Low Voltage Directives

The Low Voltage Directives apply to the electrical equipment operating from 50 to 1000VAC or 75 to 1500VDC; the manufacturer must ensure the adequate safety of the equipment.

Guidelines for installation and wiring of MELSEC-AnS series programmable controller are provided in Section 3.2.1 to 3.2.7 for the purpose of compliance with the EMC Directives.

The guidelines are created based on the requirements of the regulations and relevant standards, however, they do not guarantee that the machinery constructed according to them will comply with the Directives.

Therefore, the manufacturer of the machinery must finally determine how to make it comply with the EMC Directives: if it is actually compliant with the EMC Directives.

3.2.1 Standard applied for MELSEC-AnS series programmable controller

The standard applied for MELSEC-AnS series programmable controller series is EN61010-1 safety of devices used in measurement rooms, control rooms, or laboratories.

For the modules which operate with the rated voltage of 50 VAC/75 VDC or above, we have developed new models that conform to the above standard. For the modules which operate with the rated voltage under 50 VAC/75 VDC, the conventional models can be used, because they are out of the low voltage directive application range.

3.2.2 Precautions when using the MELSEC-AnS series programmable controller

Module selection

(1) Power module

For a power module with rated input voltage of 100/200 VAC, select a model in which the internal part between the first order and second order is intensively insulated, because it generates hazardous voltage (voltage of 42.4 V or more at the peak) area.

For a power module with 24 VDC rated input, a conventional model can be used.

(2) I/O module

For I/O module with rated input voltage of 100/200 VAC, select a model in which the internal area between the first order and second order is intensively insulated, because it has hazardous voltage area.

For I/O module with 24 VDC rated input, a conventional model can be used.

(3) CPU module, memory cassette, base unit

Conventional models can be used for these modules, because they only have a 5 VDC circuit inside.

(4) Special function module

Conventional models can be used for the special modules including analog module, network module, and positioning module, because the rated voltage is 24 VDC or smaller.

(5) Display device

Use the CE-marked product.

3.2.3 Power supply

The insulation specification of the power module was designed assuming installation category II. Be sure to use the installation category II power supply to the programmable controller.

The installation category indicates the durability level against surge voltage generated by a thunderbolt. Category I has the lowest durability; category IV has the highest durability.

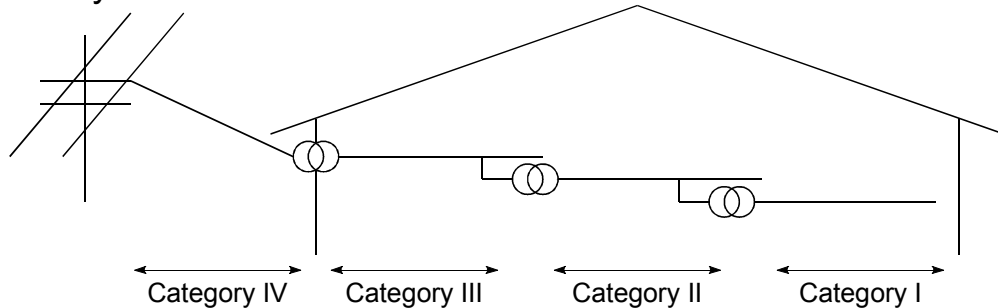


Figure 1.: Installation Category

Category II indicates a power supply whose voltage has been reduced by two or more levels of isolating transformers from the public power distribution.

3.2.4 Control panel

Because the programmable controller is an open device (a device designed to be stored within another module), be sure to use it after storing in the control panel.

(1) Electrical shock prevention

In order to prevent persons who are not familiar with the electric facility such as the operators from electric shocks, the control panel must have the following functions:

- (a) The control panel must be equipped with a lock so that only the personnel who has studied about the electric facility and have enough knowledge can open it.
- (b) The control panel must have a structure which automatically stops the power supply when the box is opened.
- (c) For electric shock protection, use IP20 or greater control panel.

(2) Dustproof and waterproof features

The control panel also has the dustproof and waterproof functions. Insufficient dustproof and waterproof features lower the insulation withstand voltage, resulting in insulation destruction. The insulation in our programmable controller is designed to cope with the pollution level 2, so use in an environment with pollution level 2 or below.

Pollution level 1 : An environment where the air is dry and conductive dust does not exist.

Pollution level 2 : An environment where conductive dust does not usually exist, but occasional temporary conductivity occurs due to the accumulated dust. Generally, this is the level for inside the control panel equivalent to IP54 in a control room or on the floor of a typical factory.

Pollution level 3 : An environment where conductive dust exists and conductivity may be generated due to the accumulated dust.
An environment for a typical factory floor.

Pollution level 4 : Continuous conductivity may occur due to rain, snow, etc. An outdoor environment.

As shown above, the programmable controller can realize the pollution level 2 when stored in a control panel equivalent to IP54.

3.2.5 Module installation


(1) Installing modules contiguously

In Q2AS series programmable controllers, the left side of each I/O module is left open. When installing an I/O module to the base, do not make any open slots between any two modules. If there is an open slot on the left side of a module with 100/200 VAC rating, the printed board which contains the hazardous voltage circuit becomes bare. When it is unavoidable to make an open slot, be sure to install the blank module (A1SG60).

3.2.6 Grounding

There are two kinds of grounding terminals as shown below. Either grounding terminal must be used grounded.

Be sure to ground the protective grounding for the safety reasons.

Protective grounding  : Maintains the safety of the programmable controller and improves the noise resistance.

Functional grounding  : Improves the noise resistance.

3.2.7 External wiring

(1) Module power supply and external power supply

For the remote module which requires 24VDC as module power supply, the 5/12/24/48VDC I/O module, and the intelligent function module (special function module) which requires the external power supply, use the 5/12/24/48VDC circuit which is doubly insulated from the hazardous voltage circuit or use the power supply whose insulation is reinforced.

(2) External devices

When a device with a hazardous voltage circuit is externally connected to the programmable controller, use a model whose circuit section of the interface to the programmable controller is intensively insulated from the hazardous voltage circuit.

(3) Intensive insulation

Intensive insulation refers to the insulation with the dielectric withstand voltage shown in Table 1.

Table 1: Intensive Insulation Withstand Voltage
(Installation Category II, source: IEC664)

Rated voltage of hazardous voltage area	Surge withstand voltage (1.2/50 μ s)
150 VAC or below	2500 V
300 VAC or below	4000 V

❖ 4. LOADING AND INSTALLATION ❖

4.1 Installing the Module

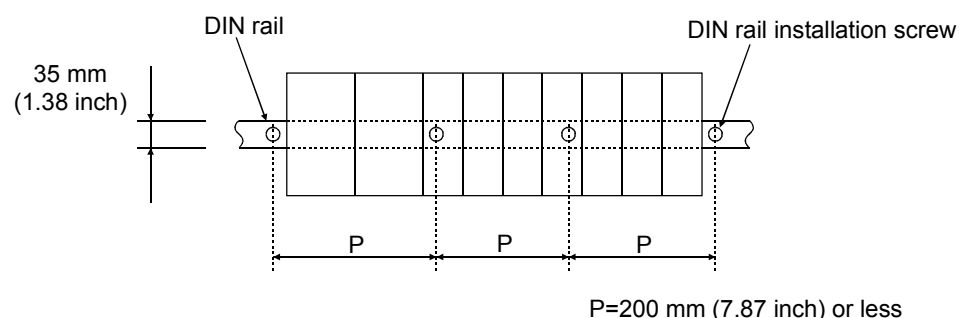
4.1.1 Notes on handling the module

This section explains some notes on handling the CPU module, I/O module, special function module, power supply module, and base unit.

- (1) Do not drop or allow any impact to the modules case, memory card, terminal block cover, or pin connector.
- (2) Do not remove the module printed wiring board from the case. Otherwise, a malfunction may occur.
- (3) Use caution to prevent foreign matter, such as wire chips, falling into the module during wiring. If foreign matter enters the module, remove it.
- (4) Use the following torque range to tighten the module fixing screws and terminal block screws:

Screw portion	Tightening torque range
Module fixing screw (M4 screw)	78 to 118 N·cm
I/O module (M3.5 screw)	59 to 88 N·cm
Power supply module terminal screws (M3.5 screw)	59 to 78 N·cm

- (5) Observe the following points when you are installing the DIN rail:
 - (a) Applicable DIN rail type (JIS C 2812)
 - TH35-7.5Fe
 - TH35-7.5Al
 - TH35-15Fe
 - (b) DIN rail installation screw interval
When you are using the TH35-7.5Fe or TH35-7.5Al DIN rail, tighten the DIN rail installation screw with a pitch of 200 mm (7.87 inch) or less to maintain the strength.



- (6) When installing the base unit to DIN rail in an environment with large vibration, use a vibration-proofing bracket (A1S-PLT-D). Mounting the vibration-proofing bracket (A1S-PLT-D) enhances the resistance to vibration. Depending on the environment to set up the base unit, it is also recommended to fix the base unit to the control panel directly.

4.1.2 Installation environment

Avoid the following environment when you install the CPU system:

- (1) A location in which the ambient temperature falls outside the range of 0 to 55 degrees Celsius.
- (2) A location in which the ambient humidity falls outside the range of 10 to 90%RH.
- (3) A location in which condensation may occur due to drastic changes in temperature.
- (4) A location in which corrosive gas or flammable gas exists.
- (5) A location in which the system is easily exposed to conductive powder, such as dust and iron filings, oil mist, salt, or organic solvent.
- (6) A location exposed to direct sunlight.
- (7) A location in which strong electrical or magnetic fields are generated.
- (8) A location in which the module is exposed to direct vibration or impact.

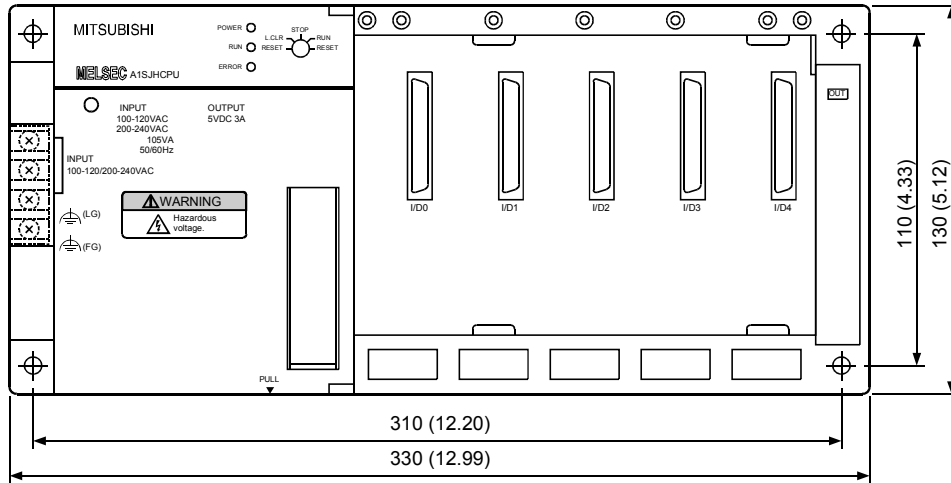
4.1.3 Notes on installing the base unit

Take ease of operation, ease of maintenance, and environmental durability into consideration when you are installing the programmable controller on the panel.

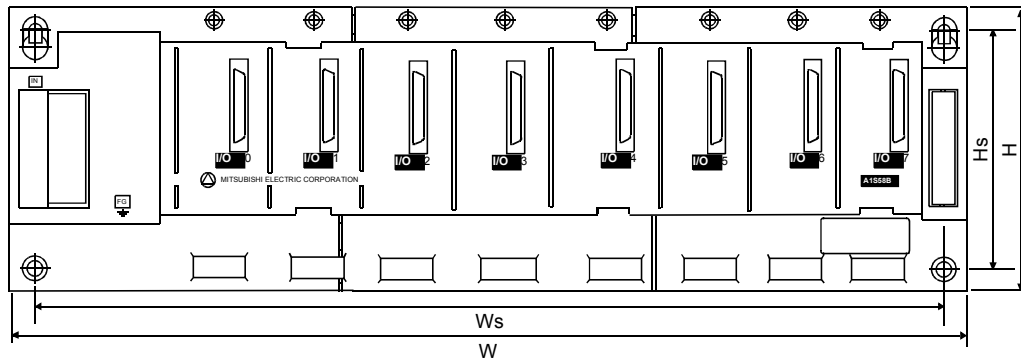
(1) Mounting dimension

Mounting dimensions of each base unit are as follows:

(a) Main base unit



(b) External base unit



Dimensions: mm (inch)

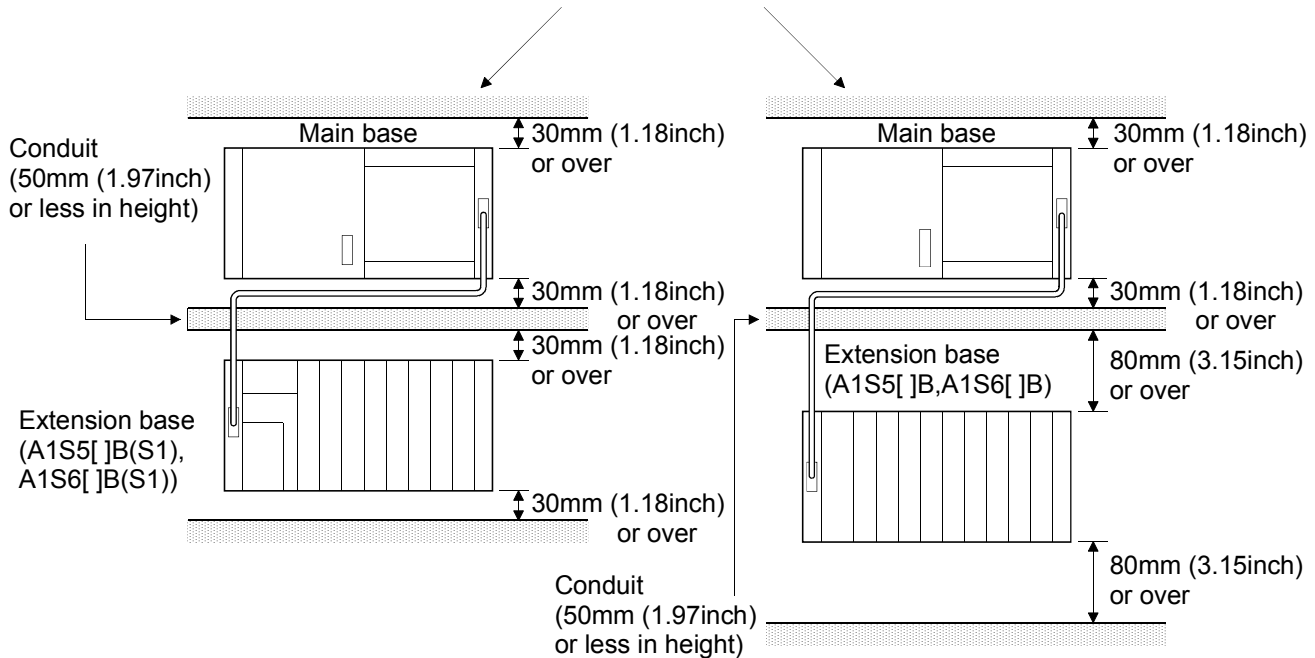
	A1S52B (S1)	A1S55B (S1)	A1S58B (S1)	A1S65B (S1)	A1S68B (S1)
W	155 (6.10)	260 (10.24)	365 (14.37)	315 (12.40)	420 (16.54)
Ws	135 (5.31)	240 (9.45)	345 (13.58)	295 (11.61)	400 (15.75)
H	130 (5.12)				
Hs	110 (4.33)				

(2) Module installation position

To maintain good ventilation and make it easy to replace the module, keep the following distances between the top and bottom of the module and the structure or other components.

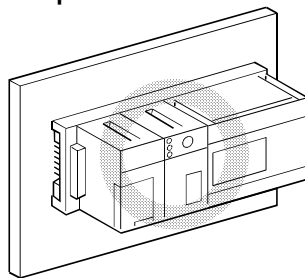
- A1SJHCPU, A1S5□B, A1S6□B 30 mm (1.18 inch) or over
- A5□B, A6□B 80 mm (3.15 inch) or over

This shows the position of the panel's ceiling, wiring duct, or components.

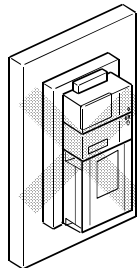


(3) Module installation direction

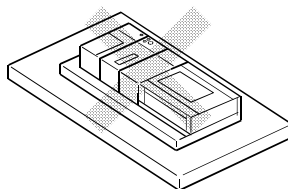
(a) Use the programmable controller in the following position for better ventilation and heat dissipation:



(b) Do not use the programmable controller in the following positions:



Vertical position

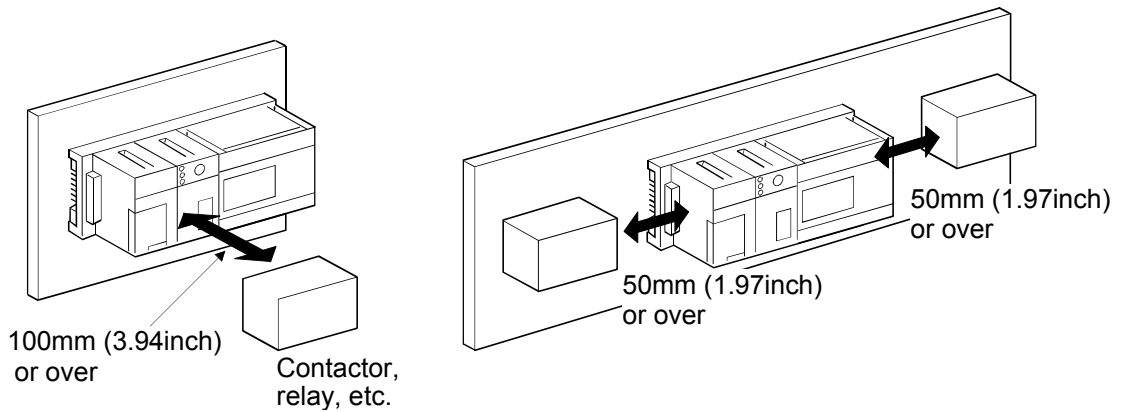


Horizontal position

(4) Install the base unit on a level surface.

If the surface is not level, force may be applied to the printed wiring board, causing a malfunction.

- (5) Install the unit far from any source of vibration, such as a large magnetic contactor and a no-fuse breaker on the same panel, or install it on a separate panel.
- (6) Keep the following distance between the programmable controller and other devices (such as a contactor and a relay) in order to avoid the influence of radiated noise and heat:
- a device installed in front of the programmable controller
 100mm (3.94 inch) or more
 - a device installed on the right or left of the programmable controller
 50mm (1.97 inch) or more



4.2 Fail-Safe Circuit Concept

When the programmable controller is powered ON and then OFF, improper outputs may be generated temporarily depending on the delay time and start-up time differences between the programmable controller power supply and the external power supply for the control target (especially, DC).

For example, if the external power supply for the control target is powered ON and then the programmable controller is powered ON, the DC output module may generate incorrect outputs temporarily upon the programmable controller power-ON. Therefore, it is required to build the circuit that energizes the programmable controller by priority.

The external power failure or programmable controller failure may lead to the system error.

In order to eliminate the possibility of the system error and ensure fail-safe operation, build the following circuit outside the programmable controller: emergency circuit, protection circuit and interlock circuit, as they could cause machine damages and accidents due to the abovementioned failures.

An example of system design, which is based on fail-safe concept, is provided on the next page.



DANGER

- Create a safety circuit outside the programmable controller to ensure the whole system will operate safely even if an external power failure or a programmable controller failure occurs.

Install the emergency stop switch outside the controlpanel so that workers can operate it easily.

Otherwise, incorrect output or malfunction may cause an accident.

- (1) For an emergency stop circuit, protection circuit and interlock circuit that is designed for incompatible actions such as forward/reverse rotation or for damage prevention such as the upper/lower limit setting in positioning, any of them must be created outside the programmable controller.
- (2) When the programmable controller detects the following error conditions, it stops the operation and turn off all the outputs.
 - The overcurrent protection device or overvoltage protection device of the power supply module is activated.
 - The programmable controller CPU detects an error such as a watchdog timer error by the self-diagnostics function.

In the case of an error of a part such as an I/O control part that cannot be detected by the programmable controller CPU, all the outputs may turn on. In order to make all machines operate safely in such a case, set up a fail-safe circuit or a specific mechanism outside the programmable controller.

- (3) Depending on the failure of the output module's relay or transistor, the output status may remain ON or OFF incorrectly. For output signals that may lead to a serious accident, create an external monitoring circuit.
- Design a circuit so that the external power will be supplied after power-up of the programmable controller. Activating the external power supply prior to the programmable controller may result in an accident due to incorrect output or malfunction.
 - If load current more than the rating or overcurrent due to a short circuit in the load has flowed in the output module for a long time, it may cause a fire and smoke. Provide an external safety device such as a fuse.
 - For the operation status of each station at a communication error in data link, refer to the respective data link manual. The communication error may result in an accident due to incorrect output or malfunction.

**DANGER**

- When controlling a running programmable controller (data modification) by connecting a peripheral device to the CPU module or a PC to a special function module, create an interlock circuit on sequence programs so that the whole system functions safely all the time.

Also, before performing any other controls (e.g. program modification, operating status change (status control)), read the manual carefully and ensure the safety.

In these controls, especially the one from an external device to a programmable controller in a remote location, some programmable controller side problem may not be resolved immediately due to failure of data communications.

To prevent this, create an interlock circuit on sequence programs and establish corrective procedures for communication failure between the external device and the programmable controller CPU.

- When setting up the system, do not allow any empty slot on the base unit.

If any slot is left empty, be sure to use a blank cover (A1SG60) or a dummy module (A1SG62) for it.

When using the extension base unit, A1S52B, A1S55B or A1S58B, attach the included dustproof cover to the module in slot 0.

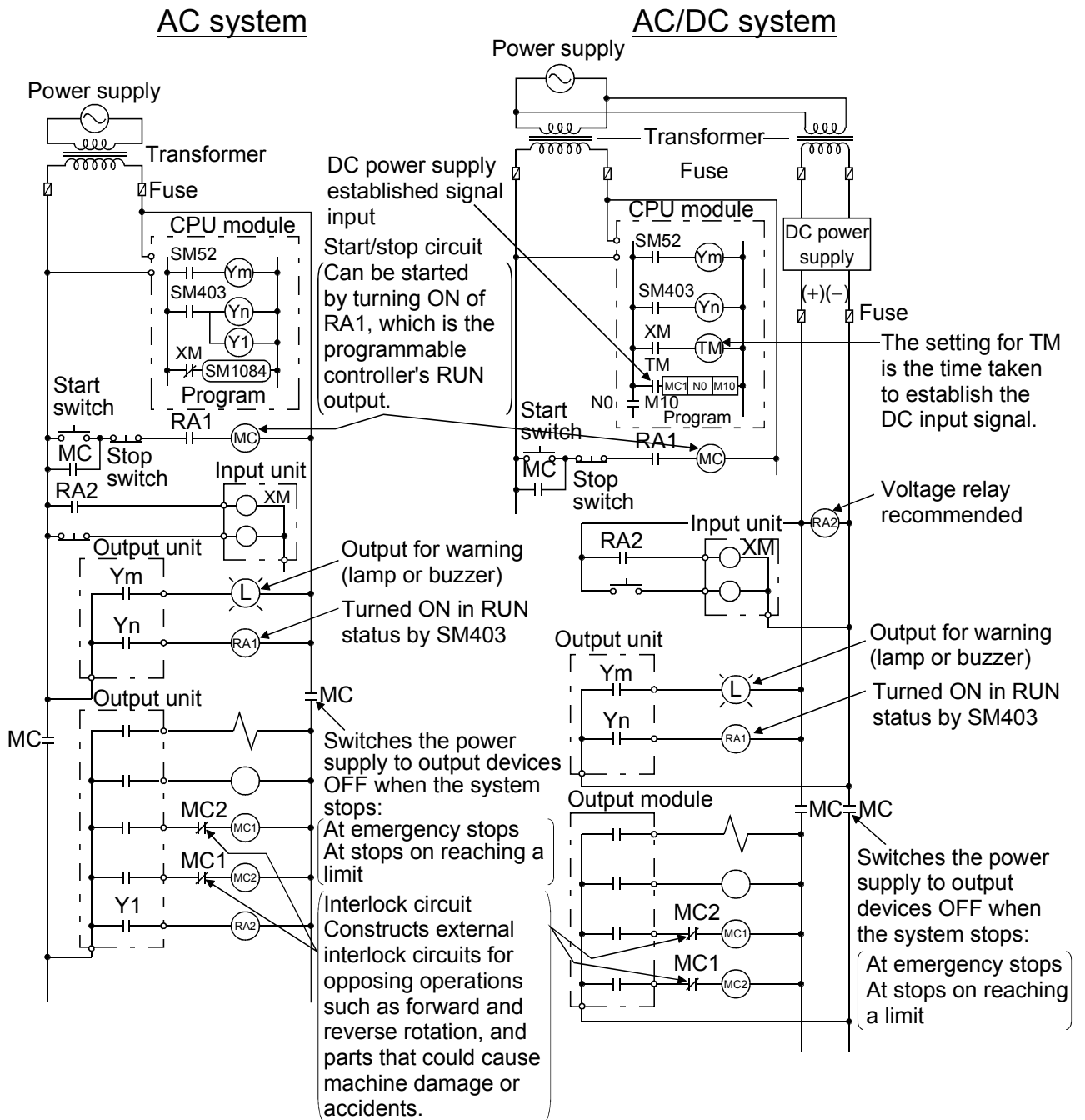
Otherwise, internal parts of the module may be fried in the short circuit test or when an overcurrent or overvoltage is accidentally applied to external I/O section.

**CAUTION**

- Do not install the control lines or communication cables together with the main circuit or power lines, or bring them close to each other.
Keep a distance of 100mm (3.9inch) or more between them.
Failure to do so may cause malfunctions due to noise.

- When an output module is used to control the lamp load, heater, solenoid valve, etc., a large current (ten times larger than the normal one) may flow at the time that the output status changes from OFF to ON. Take some preventive measures such as replacing the module with the one of a suitable current rating.

(1) System design circuit example



The procedures used to switch on the power supply are indicated below.

- AC system**
- [1] Switch the power supply ON.
 - [2] Set the CPU module to RUN.
 - [3] Switch the start switch ON.
 - [4] The output devices are driven in accordance with program when the magnetic contactor (MC) turns ON.

- AC/DC system**
- [1] Switch the power supply ON.
 - [2] Set the CPU module to RUN.
 - [3] Switch RA2 ON when the DC power supply starts.
 - [4] Switch the timer (TM) ON when the DC power supply reaches working voltage. (The set value for TM must be the time it takes for 100% establishment of the DC power after RA2 is switched ON. Make this set value 0.5 seconds.)
 - [5] Switch the start switch ON.
 - [6] The output devices are driven in accordance with the program when the magnetic contactor (MC) comes ON. (If a voltage relay is used at RA2, no timer (TM) is necessary in the program.)

(2) Fail-safe measures to cover the possibility of programmable controller failure

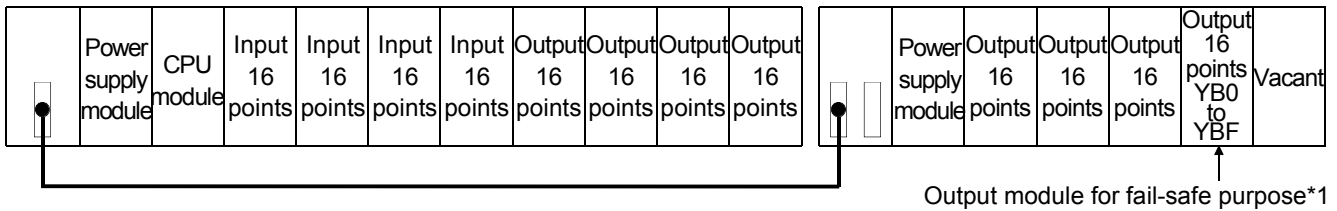
Problems with a CPU module and memory can be detected by the self diagnostics function. However, problems with I/O control area may not be detected by the CPU module.

In such cases, all I/O points turn ON or OFF depending on the problem, and normal operation and safety cannot be maintained.

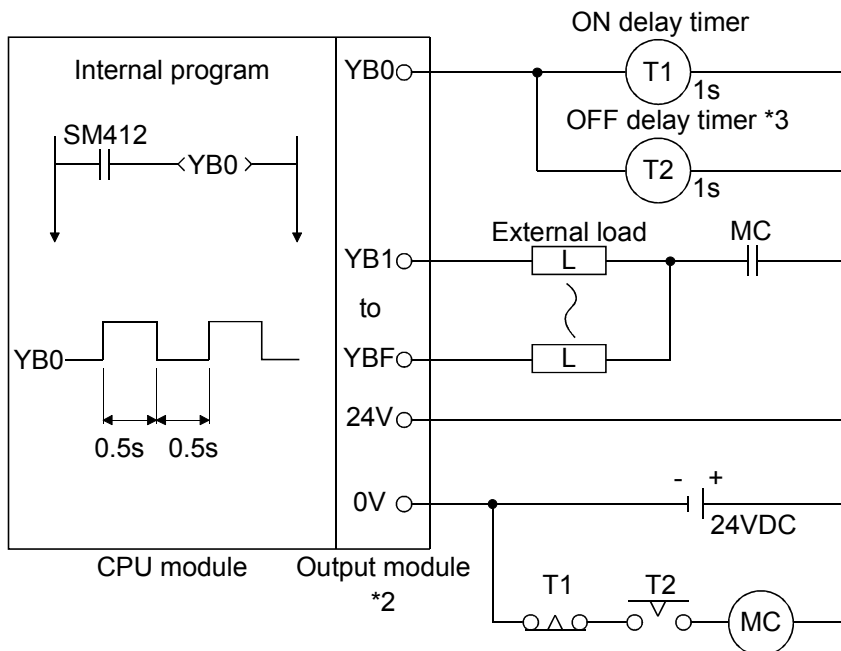
Though Mitsubishi programmable controllers are manufactured under strict quality control, they may fail or malfunction due to unspecified reasons. To prevent the whole system failure, machine breakdown, and accidents, build a fail-safe circuit outside the programmable controller.

Examples of a system and its fail-safe circuitry are described below:

<System example>



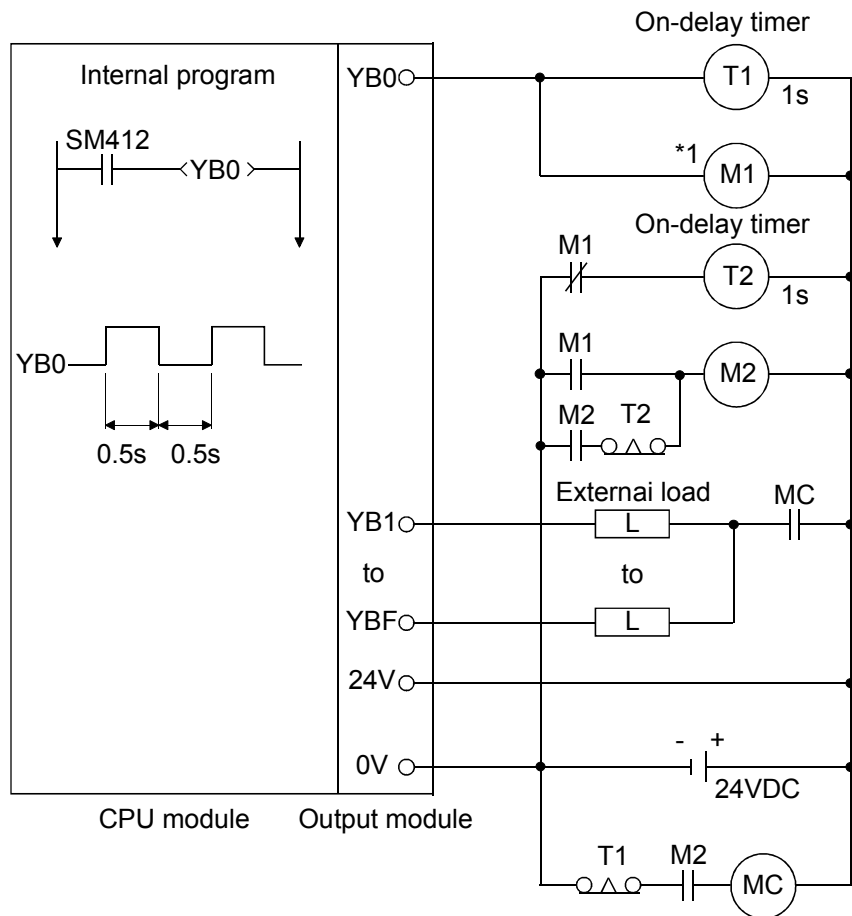
*1: The output module for fail-safe purpose should be mounted on the last slot of the system. (YB0 to YBF in the above system.)



*2: Since YB0 turns ON and OFF alternatively at 0.5 second intervals, use a contactless output module (a transistor is used in the above example).

*3: If an offdelay timer (especially miniature timer) is not available, construct the failsafe circuit using an ondelay timer shown on the next page.

When constructing a failsafe circuit using ondelay timers only



*1: Use a solid state relay for the M1 relay.

4.3 Wiring

4.3.1 Performance specifications for the A1SJHCPU built-in power supply

Table 4.1 Performance specifications for the A1SJHCPU built -in power supply

Item	Type	A1SJHCPU
Input power supply	100 to 120VAC ^{+10%} _{-15%} (85 to 132VAC)	200 to 240VAC ^{+10%} _{-15%} (170 to 264VAC)
Input frequency	50/60Hz ±3Hz	
Input voltage distortion factor	Within 5% (Refer to Section 4.3.)	
Input maximum apparent power	100VA	
Inrush current	20A 8ms or less	
Rated output	5 VDC 3A	
Overcurrent protection *1	3.3A or over	
Overvoltage protection *2	Not provided	
Efficiency	65 % or over	
Power supply indication	POWER LED indicator	
Terminal screw size	M3.5 × 8	
Applicable wire size	0.3 to 2 mm ²	
Applicable solderless terminal	RAV 1.25 to 3.5, RAV 2 to 3.5	
Allowable momentary power failure period *3	20ms or less (100VAC or over)	

POINT

*1: Overcurrent protection

The overcurrent protection device shuts off the 5VDC and/or 24VDC circuit(s) and stops the system if the current exceeding the specified value flows in the circuit(s).

As this results in voltage drop, the power supply module LED turns OFF or is dimly lit.

After that, eliminate the causes of overcurrent, e.g., insufficient current capacity and short circuit, and then start the system.

When the current has reached the normal value, the initial start up of the system will be performed.

*2: Overvoltage protection

The overvoltage protection shuts off the 5VDC circuit and stops the system if the overvoltage of 5.5 to 6.5V is applied to the circuit.

This results in the power supply module LED turning OFF.

When restarting the system, power OFF and ON the input power supply, and the initial start up of the system will be performed.

If the system is not booted and the LED remains off, this means that the power supply module has to be replaced.

*3: Allowable momentary power failure period

The programmable controller CPU allowable momentary power failure period varies with the power supply module used.

In case of the A1S63P power supply module, the allowable momentary power failure period is defined as the time from when the primary side of the stabilized power supply for supplying 24VDC to the A1S63P is turned OFF until when the voltage (secondary side) has dropped from 24VDC to the specified value (15.6VDC) or less.

*4: Inrush current

If the power supply module is re-powered ON right after powered OFF (within 5s), the inrush current exceeding the specified value (2ms or less) may be generated. Therefore, make sure to re-power ON the module 5s after power off.

When selecting a fuse or breaker for external circuit, consider the above point as well as meltdown and detection characteristics.

4.3.2 The precautions on the wirings

This section gives the wiring instruction for the system.

DANGER

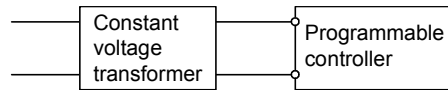
- Be sure to shut off all phases of the external power supply used by the system before wiring.
Failure to do so may result in an electric shock or damage of the product.
- Before energizing and operating the system after wiring, be sure to attach the terminal cover supplied with the product.
Failure to do so may cause an electric shock.

CAUTION

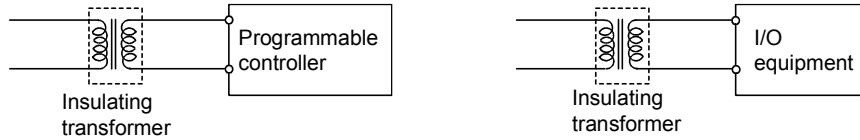
- Always ground the FG and LG terminals to the protective ground conductor.
Failure to do so may cause an electric shock or malfunctions.
- Wire the module correctly after confirming the rated voltage and terminal layout.
Connecting a power supply of a different voltage rating or incorrect wiring may cause a fire or failure.
- Do not connect multiple power supply modules to one module in parallel.
The power supply modules may be heated, resulting in a fire or failure.
- Press, crimp or properly solder the connector for external connection with the specified tool.
Incomplete connection may cause a short circuit, fire or malfunctions.
- Tighten terminal screws within the specified torque range. If the screw is too loose, it may cause a short circuit, fire or malfunctions.
If too tight, it may damage the screw and/or the module, resulting in a short circuit or malfunctions.
- Carefully prevent foreign matter such as dust or wire chips from entering the module.
Failure to do so may cause a fire, failure or malfunctions.
- Install our programmable controller in a control panel for use.
Wire the main power supply to the power supply module installed in a control panel through a distribution terminal block.
Furthermore, the wiring and replacement of a power supply module have to be performed by a maintenance worker who acquainted with shock protection.
(For the wiring methods, refer to Type A1SJH(S8)/A1SH/A2SHCPU(S1) User's Manual)

(1) Wiring of power supply

- (a) When voltage fluctuations are larger than the specified value, connect a constant-voltage transformer.



- (b) Use a power supply which generates minimal noise between wires and between the programmable controller and ground. If excessive noise is generated, connect an insulating transformer.

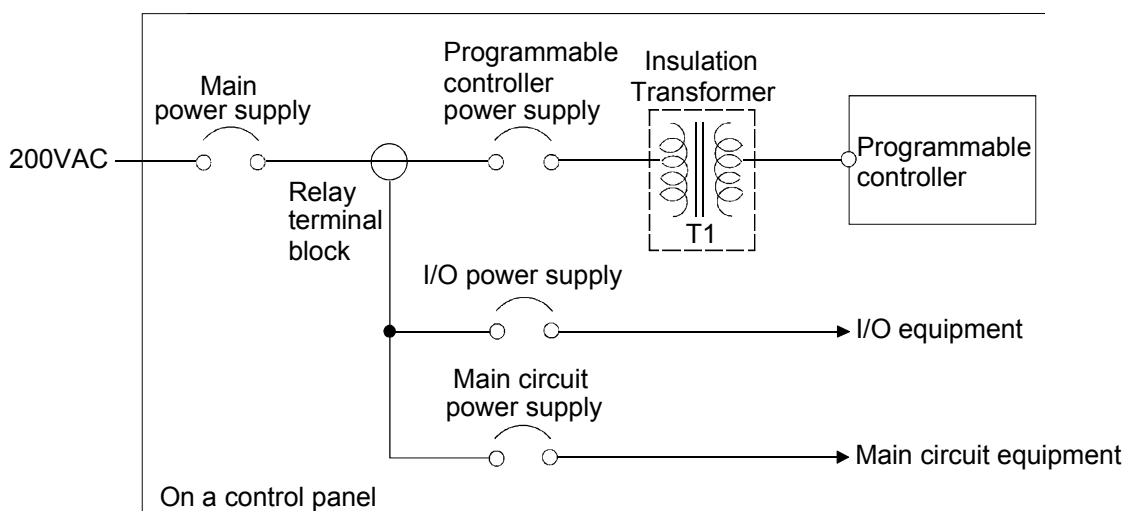


- (c) When a power transformer or insulating transformer is employed to reduce the voltage from 200 VAC to 100 VAC, use one with a capacity greater than those indicated in the following table.

Power Supply Module	Transformer Capacity
A1S61PN	110VA × n
A1S62PN	110VA × n

n: Stands for the number of power supply modules.

- (d) Separate the programmable controller's power supply line from the lines for I/O devices and power devices as shown below. When there is much noise, connect an insulation transformer.
- (e) Taking rated current or inrush current into consideration when wiring the power supply, be sure to connect a breaker or an external fuse that have proper blown and detection. When using a single programmable controller, a 10A breaker or an external fuse are recommended for wiring protection.

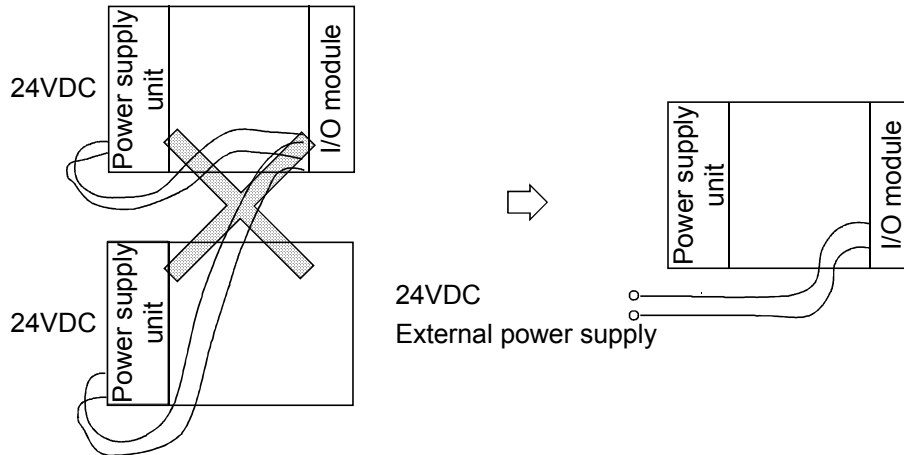


- (f) Note on using the 24 VDC output of the A1S62PN power supply module.

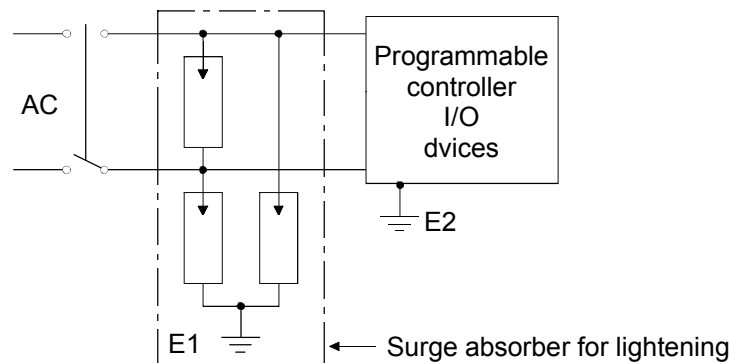


CAUTION • Do not connect multiple power supply modules to one module in parallel. The power supply modules may be heated, resulting in a fire or failure.

If the 24 VDC output capacity is insufficient for one power supply module, supply 24 VDC from the external 24 VDC power supply as shown below:



- (g) 100 V AC, 200 V AC and 24 V DC wires should be twisted as dense as possible. Connect the modules with the shortest distance. Also, to reduce the voltage drop to the minimum, use the thickest wires possible (maximum 2mm^2).
- (h) Do not bind 100VAC and 24VDC wires together with main circuit (high tension and large current) wires or I/O signal lines (including common line) nor place them near each other. Provide 100mm (3.94 inch) clearance between the wires if possible.
- (i) As a countermeasure to power surge due to lightning, connect a surge absorber for lightning as shown below.



POINT

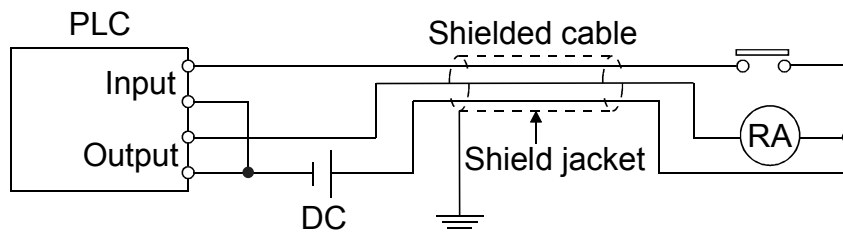
- (1) Separate the ground of the surge absorber for lightning (E1) from that of the programmable controller (E2).
- (2) Select a surge absorber for lightning whose power supply voltage does not exceed the maximum allowable circuit voltage even at the time of maximum power supply voltage elevation.

(2) Wiring to I/O device

- (a) The solderless terminal with insulation sleeve is inapplicable to a terminal block.

It is advisable to cover the wire connection part of a terminal with a mark tube or insulation tube.

- (b) Install wiring to a terminal block using the cable of core diameter 0.3 to 0.75mm², and outside diameter 2.8mm or less.
- (c) Run the I/O line and output line away from each other.
- (d) When the main circuit line and power line cannot be separated, use a shielding cable and ground it on the programmable controller side. However, ground it on the opposite side in some cases.

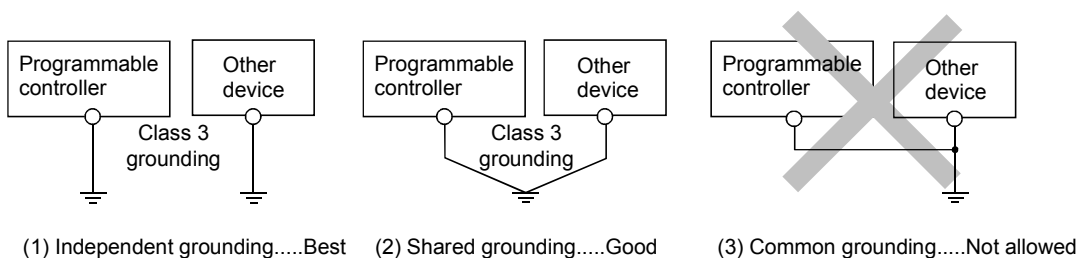


- (e) When cables are run through pipes, securely ground the pipes.
- (f) Run the 24VDC input line away from the 100VAC and 200 VAC lines.
- (g) The cabling of 200m (656.2ft.) or longer distance may produce leakage current depending on the capacity between lines and result in an accident.
- (h) As a countermeasure against the power surge due to lightning, separate the AC wiring and DC wiring and connect a surge absorber for lightning as shown in (i) of item (1). Failure to do so increases the risk of I/O device failure due to lightning.

(3) Grounding

CAUTION • Be sure to ground the FG terminals and LG terminals to the protective ground conductor. Not doing so could result in electric shock or erroneous operation.

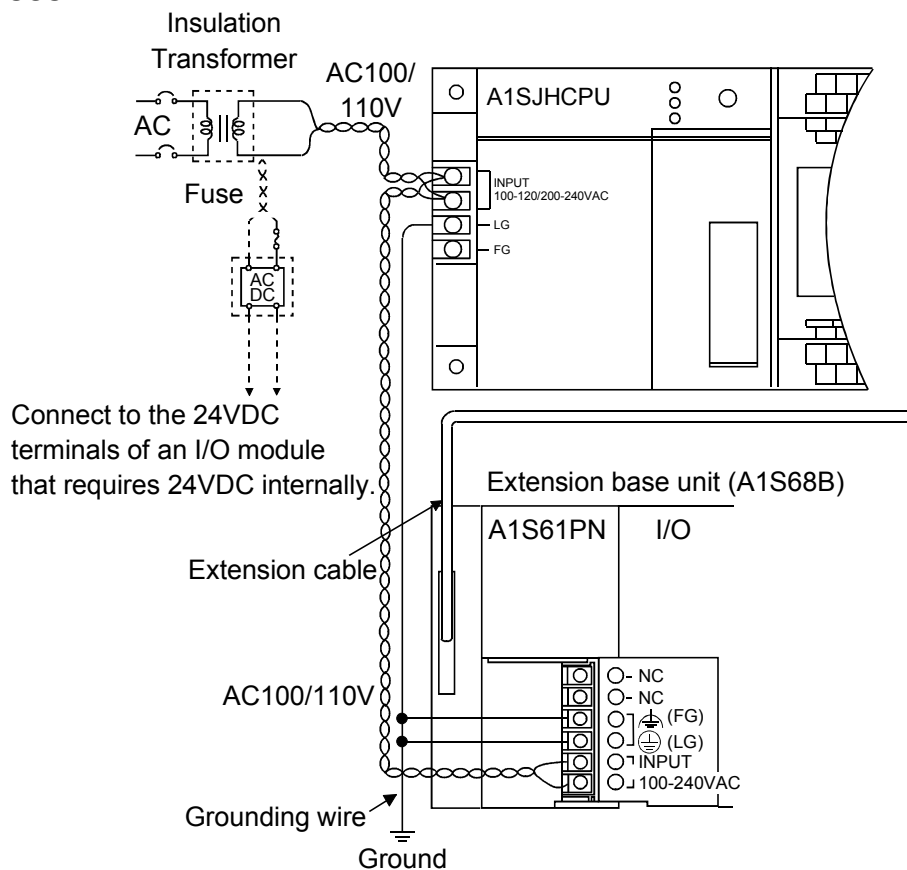
- (a) Carry out the independent grounding if possible. (Grounding resistance 100Ω or less.)
- (b) If the independent grounding is impossible, carry out the shared grounding (2) as shown below.



- (c) Use the cable of 2mm^2 or more for grounding.
Set the grounding point closer to the programmable controller to make the grounding cable short as possible.
- (d) If a malfunction occurs due to earthing, separate either LG or FG of the base module, the device combination, or all the connection from the earthing.

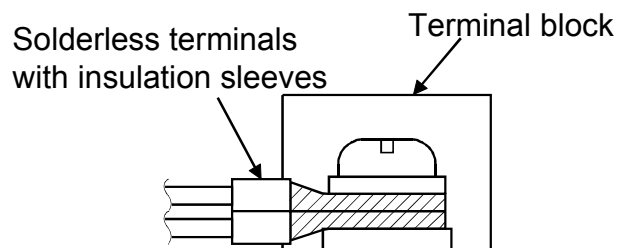
4.3.3 Wiring to module terminals

This section explains the wiring of power lines and grounding lines to the main and extension bases.



POINT

- (1) Use the thickest possible (max. 2 mm² (14 AWG)) wires for the 100/200 VAC and 24 VDC power cables. Be sure to twist these wires starting at the connection terminals. For wiring a terminal block, be sure to use a solderless terminal. To prevent short-circuit due to loosening screws, use the solderless terminals with insulation sleeves of 0.8 mm (0.03 inch) or less thick. The number of the solderless terminals to be connected for one terminal block are limited to 2.



- (2) Be sure to ground the LG and FG terminals. Failure to do so may cause the programmable controller to be susceptible to noise. Note that LG terminals include the potential as half as that of input voltage; you might get an electric shock when you touch them.

4.4 Precautions when Connecting the Uninterruptible Power Supply (UPS)

Connect the Q2ASCPU system to the uninterruptible power supply (UPS), while paying attention to the followings.

Use the on-line UPS or line interactive UPS (voltage distortion of 5% or less.)
Alternatively, use the off-line UPS, i.e., FREQUPS-F series with serial number P or later (Mitsubishi).

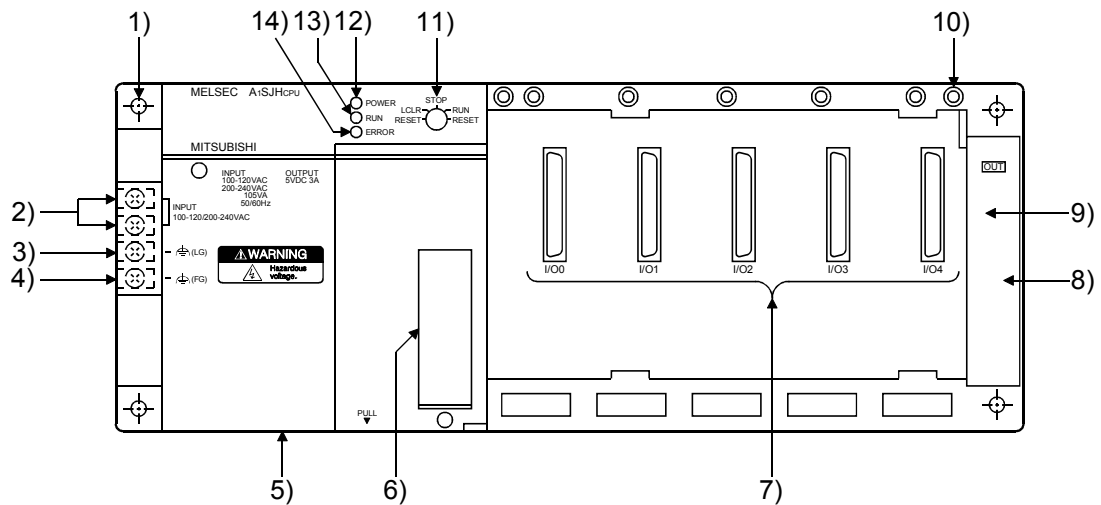
Example: FW-F10-03.K/0.5K

Do not use the off-line UPS other than above.

4.5 Parts of the CPU

Parts of A1SJHCPU are described below.

A1SJHCPU



- 1) Base mounting hole
- 2) Power supply input terminal
- 3) LG terminal
- 4) FG terminal
- 5) Hook for DIN rail
- 6) Cover for RS-422 connector
- 7) Module connector
- 8) Connector for extension cable
- 9) Base cover
- 10) Module fixing screw
- 11) RUN/STOP switch

RUN/STOP key switch:

Used to start or stop sequence program execution.

RESET switch:

Used to reset the hardware.

Used to reset the hardware and initialize operation when an operation error occurs.

L.CLR:

Used to clear the data set in the latch range set in the parameters.

- 12) "POWER" LED
(Indicator LED for the 5 VDC power supply.)

13) "RUN" LED

ON:

Indicates that the RUN/STOP key switch is set to the RUN position and the sequence program is being executed.

OFF:

The "RUN" LED is OFF in the following cases:

- When the 100/200 VAC power supply is not being supplied to the A1SJHCPU.
- When the RUN/STOP key switch is set to the STOP position.
- When a remote STOP/ PAUSE is currently effective.

Flashing:

The "RUN" LED flashes in the following cases:

- When an error that stops sequence program operation has been detected in self-diagnosis.
- When a latch clear operation is being executed.

14) ERROR LED

ON:

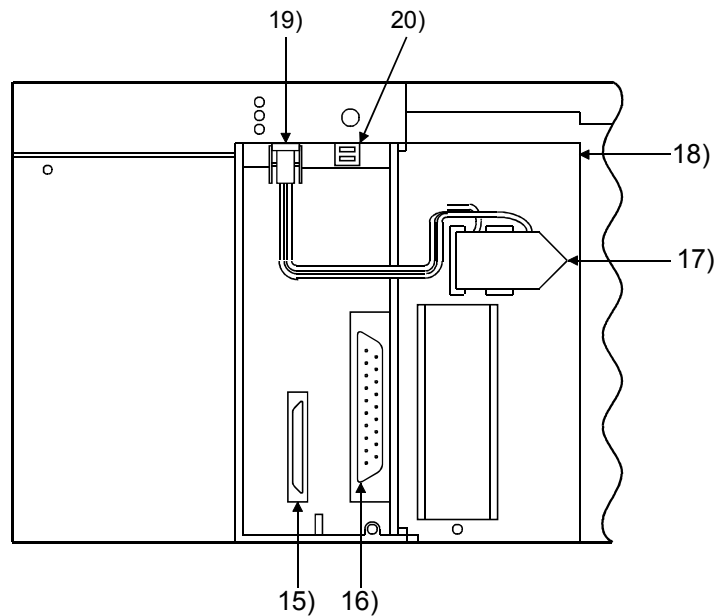
Indicates that an error has been detected in self-diagnosis. (Note that this LED remains OFF if the setting for the detected error in the ERROR LED indication priority settings is "OFF" .)

OFF:

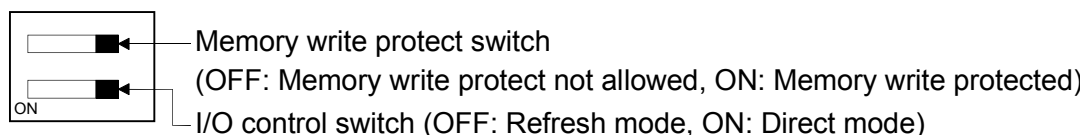
Indicates that no error has occurred, or a fault has been detected by the CHK instruction.

Flashing:

Indicates that the annunciator (F) has been switched ON by the sequence program.



- 15) Connector for installing the memory cassette
- 16) RS-422 connector
- 17) Battery
- 18) Cover
- 19) Battery connector
- 20) Dip switch



Method for clearing the latch status

- 1) Set the RUN/STOP switch from the STOP position to the L.CLR position several times, causing the RUN LED to flash.
- 2) Set the RUN/STOP switch from the STOP position to the L.CLR position one more time.
- 3) The latch clear operation is completed when the RUN LED goes OFF.

5. SPECIFICATION AND CONNECTION OF I/O MODULES

5.1 Input modules

5.1.1 Input module specifications

Model	Type	No. of Points	Rated Input Voltage	Input Current	Operating Voltage		
					ON voltage	OFF voltage	
A1SX10	AC input	16	100 to 120VAC	6mA	80VAC or higher	30VAC or lower	
A1SX10EU			100 to 120VAC	7mA			
A1SX20			200 to 240VAC	9mA			
A1SX20EU			200 to 240VAC	11mA			
A1SX30	AC/DC input	16	12/24VAC	4/8.5mA	7VAC/DC or higher	2.7VAC/DC or lower	
	12/24VDC						
A1SX40	DC input (sink type)	16	12/24VDC	3/7mA	8VDC or higher	4VDC or lower	
A1SX40-S1			24VDC	7mA	DC14V or higher	6.5VDC or lower	
A1SX40-S2							
A1SX41		32	12/24VDC	3/7mA	8VDC or higher	4VDC or lower	
A1SX41-S1			24VDC	7mA	17VDC or higher	3.5VDC or lower	
A1SX41-S2							
A1SX42		64	12/24VDC	2/5mA	8VDC or higher	4VDC or lower	
A1SX42-S1			24VDC	5mA	18.5VDC or higher	3VDC or lower	
A1SX42-S2							
A1SX71		DC input (sink/source type)	32	5/12/24VDC	1.2/3.3/7mA	3.5VDC or higher	1VDC or lower
A1SX80	16		12/24VDC	3/7mA	8VDC or higher	4VDC or lower	
A1SX80-S1			24VDC	7mA	17VDC or higher	5VDC or lower	
A1SX80-S2							
A1SX81	32		12/24VDC	3/7mA	8VDC or higher	4VDC or lower	
A1SX81-S2			24VDC	7mA	13VDC or higher	6VDC or lower	
A1SX82-S1	64		24VDC	5mA	18.5VDC or higher	3VDC or lower	
A1S42X	DC input (dynamic)		16/32 ² 48/64	12/24VDC	4/9mA	8VDC or higher	4VDC or lower

	Maximum Simultaneous Input Points (Percentage Simultaneously ON)	Max. Response Time		Field Wiring	Points/ Common	Internal Current Consumption (5VDC)	NO. of Occupied Points
		OFF to ON	ON to OFF				
	100%(110VAC) 60%(132VAC)	20ms or lower	35ms or lower	Terminal	16	0.05A	16
	100%(110VAC)	20ms or lower	35ms or lower				
	60%(220VAC)	30ms or lower	55ms or lower				
	60%(220VAC)	30ms or lower	55ms or lower				
	75%(26.4VDC)	25ms or lower	20ms or lower				
		20ms or lower	20ms or lower				
	100%(26.4VDC)	10ms or lower	10ms or lower				
		0.1ms or lower	0.2ms or lower				
		10ms or lower	10ms or lower				
	60%(26.4VDC)	10ms or lower	10ms or lower	40-pin connector	32	0.08A	32
		0.3ms or lower	0.3ms or lower			0.12A	
		10ms or lower	10ms or lower			0.08A	
	50%(24VDC)	10ms or lower	10ms or lower	40-pin connector ×2		0.09A	64
		0.3ms or lower	0.3ms or lower			0.16A	
						0.09A	
	100%	1.5ms or lower	3ms or lower	40-pin connector	32	0.075A ^{*3}	32
	100%(26.4VDC)	10ms or lower	10ms or lower	Terminal	16	0.05A	16
		0.4ms or lower	0.5ms or lower				
		10ms or lower	10ms or lower				
	60%(26.4VDC)	10ms or lower	10ms or lower	37-pin D-sub connector	32	0.08A	32
	50%(26.4VDC)	0.3ms or lower	0.3ms or lower	40-pin connector	32	0.16A	64
	100%(26.4VDC)	0.4ms or lower ^{*1}	0.4ms or lower ^{*1}	24-pin connector	—	0.08A	16/32/48/ 64

For all modules, the insulation system is photocoupler insulation and the input indications are LED indications.

*1 The dynamic scan cycle is 13.3ms.

*2 Set using the DIP switch on the module front.

*3 0.09A is shown on the rating plate of the module.

5.1.2 Input module connections

	Model	Rated Input Voltage	
(1)	A1SX10	100 to 120 VAC	
	A1SX10EU		
	A1SX20	200 to 240 VAC	
	A1SX20EU		

	Model	Rated Input Voltage	
(2)	A1SX30	12/24 VAC/DC	

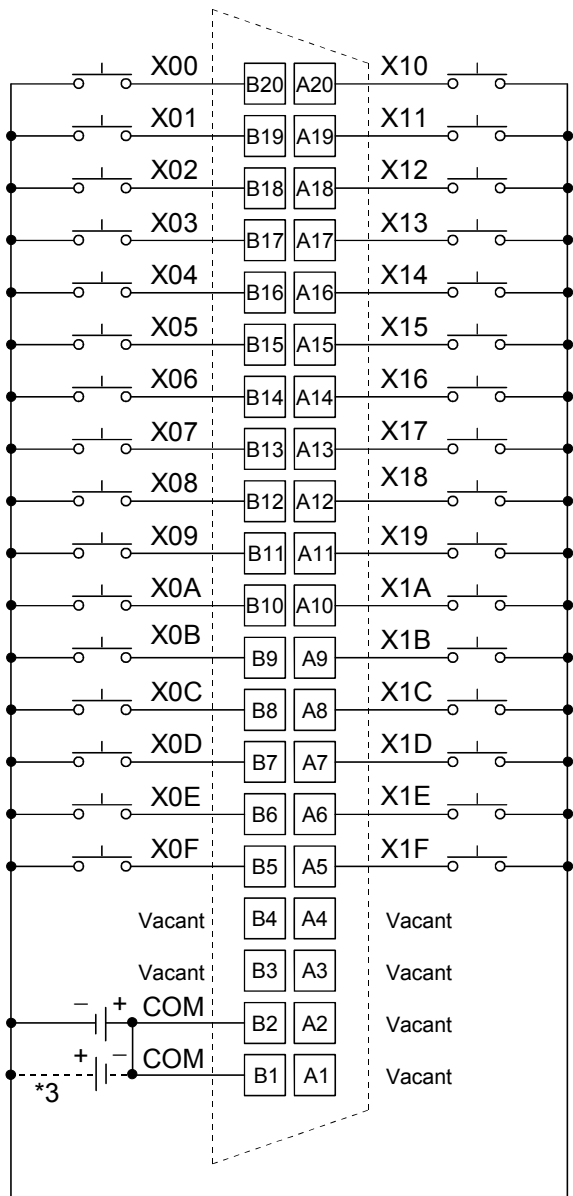
⚠ **DANGER**

Do not touch any terminal during power distribution. Doing so may cause an electric shock or malfunctions.

	Model	Rated Input Voltage	
(3)	A1SX40	12/24 VAC	
	A1SX40-S1	24 VAC	
	A1SX40-S2		

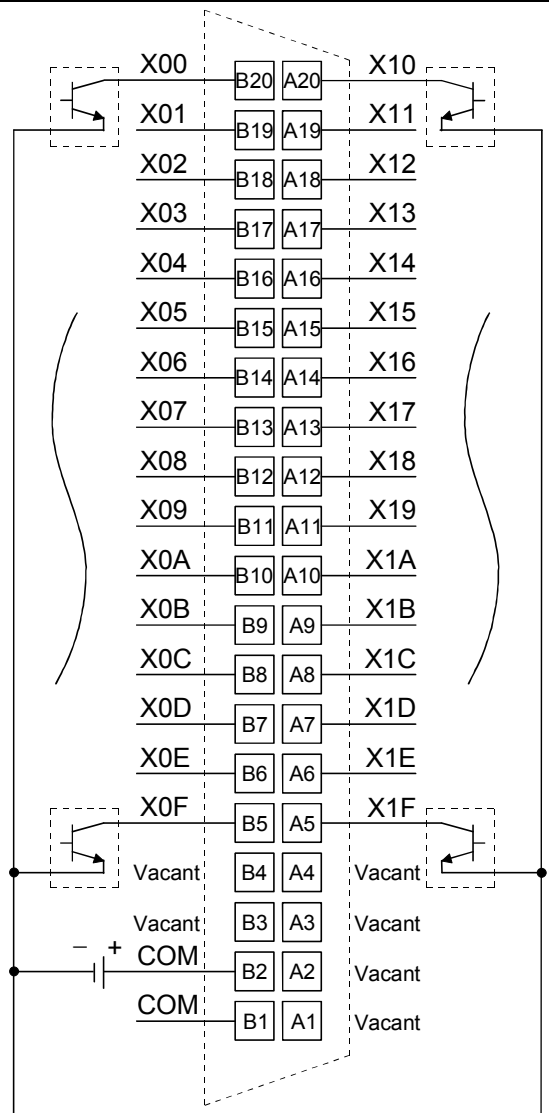
	Model	Rated Input Voltage	
(4)	A1SX80	12/24 VAC	
	A1SX80-S1	24 VAC	
	A1SX80-S2		

	Model	Rated Input Voltage
(5)	A1SX41	12/24 VDC
	A1SX41-S1(S2)	24 VDC
	A1SX42* ¹	12/24 VDC
	A1SX42-S1* ¹ (S2)	24 VDC
	A1SX82-S1* ³	



- *1 The figure above indicates **[F]** (the first half 32 points).
The connections for **[L]** (the latter half 32 points) are the same as for **[F]** (regard X00 to X1F as X20 to X3F.)
[B1] and **[B2]** are connected internally.
- *2 The A and B pin number rows shown above are transposed with respect to the diagram of the A and B rows which is printed on the module. Remember that the A row pin numbers correspond to the B row of the module.
- *3 A1SX82-S1 can use both positive common and negative common.

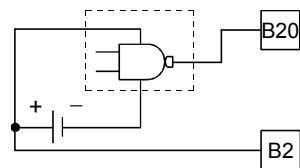
(6)	Model	Rated Input Voltage
	A1SX71	5/12/24 VDC



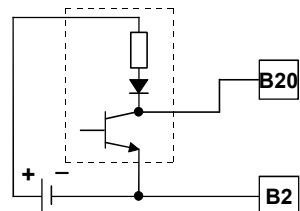
*1 The figure above shows the connections for the open collector (sink) type.

[B1] and **[B2]** are connected internally.

- TTL, LS-TTL, CMOS buffer (sink) connection

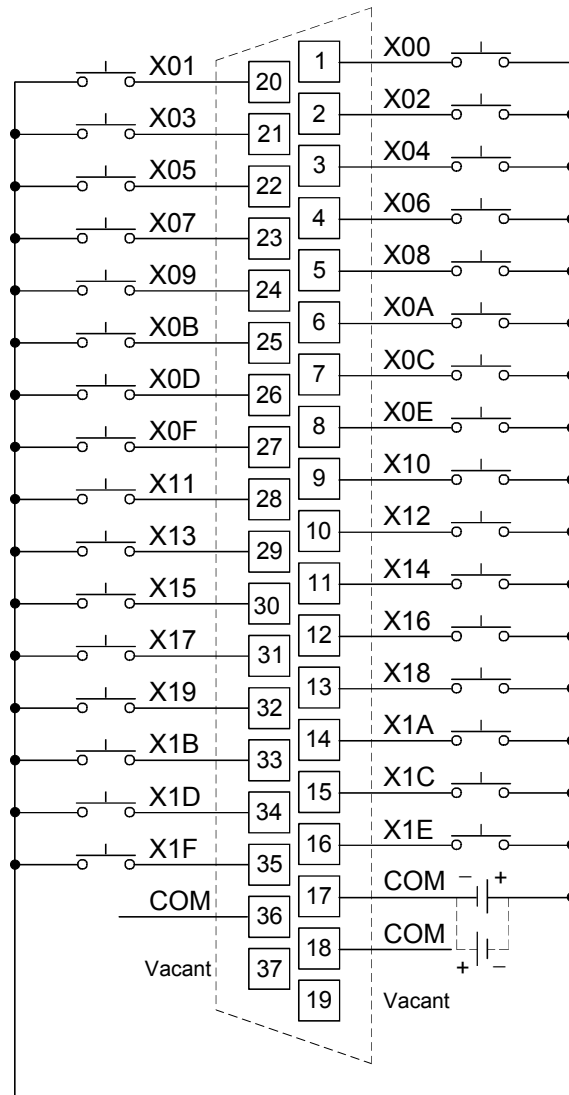


- Sensor (source) connection



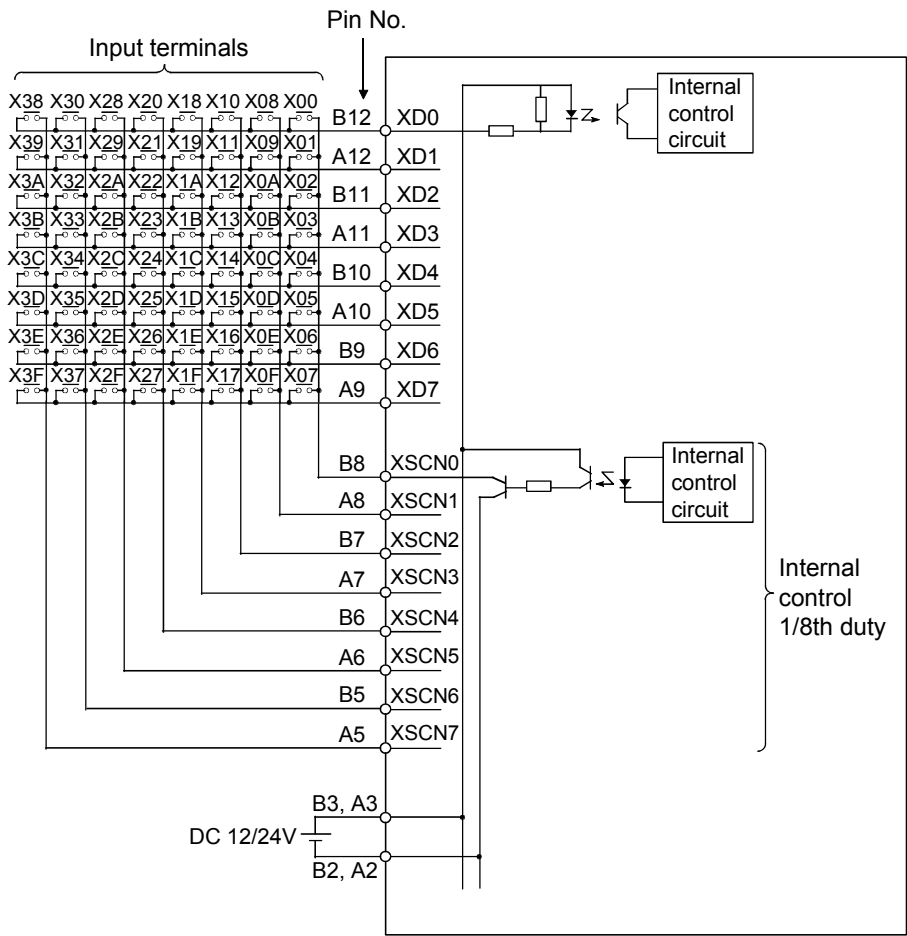
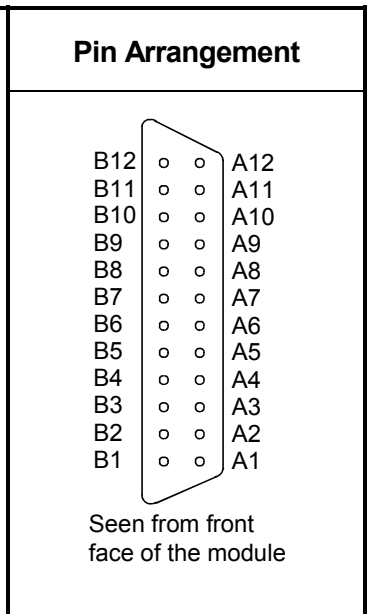
*2 The A and B pin number rows shown above are transposed with respect to the diagram of the A and B rows which is printed on the module. Remember that the A row pin numbers correspond to the B row of the module.

(7)	Model	Rated Input Voltage
	A1SX81	12/24 VDC
	A1SX81-S2	24 VDC



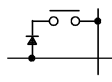
● [17] , [18] and [36] are connected internally.

(8)	Model	Rated Input Voltage
	A1S42X	12/24 VDC



Pin No.	Signal Name	Pin No.	Signal Name
B12	XD0	A12	XD1
B11	XD2	A11	XD3
B10	XD4	A10	XD5
B9	XD6	A9	XD7
B8	XSCN0	A8	XSCN1
B7	XSCN2	A7	XSCN3
B6	XSCN4	A6	XSCN5
B5	XSCN6	A5	XSCN7
B4	Vacant	A4	Vacant
B3	12/24 VDC	A3	12/24 VDC
B2	0V	A2	0V
B1	FG	A1	FG

* If there will be cases where two or more switches are pressed simultaneously, install a diode at each switch (see right).



5.2 Output modules

5.2.1 Output module specifications

Model	Type	No. of Points	Rated Load Voltage	Max. Load Current			Max. Output Response Time		
				Point	Common	Module	OFF to ON	ON to OFF	
A1SY10	Relay Output	16	100V to 240VAC 24VDC	2A	8A	-	10ms or lower	12ms or lower	
A1SY10EU		16		2A	8A	-			
A1SY14EU		12		2A	8A	-			
A1SY18A		8		2A	-	8A			
A1SY18AEU		8		2A	-	-			
A1SY22	Triac Output	16	100V to 240VAC	0.6A	2.4A	-	1ms or lower	1ms + 0.5 cycles or less	
A1SY28A		8		1A	-	8A (AC132V, 55°C) 8A (AC264V, 40°C), 4A (AC132V, 55°C), 2A (AC264V, 55°C)			
A1SY28EU				0.6A	2.4A (49°C) 1.9A (55°C)	-			1ms + 0.5 cycles or less
A1SY40	Transistor Output (sink type)	16	12/24V DC	0.1A	0.8A	-	2ms or lower	2ms or lower	
A1SY40P					0.8A	-	1ms or lower	1ms or lower	
A1SY41					32	2A	-	2ms or lower	2ms or lower
A1SY41P		2A		-		1ms or lower	1ms or lower		
A1SY42		64		0.1A	1.6A	-	2ms or lower	2ms or lower	
A1SY42P					2A	-	1ms or lower	1ms or lower	
A1SY50		16		24VDC	0.5A	2A	-	2ms or lower	2ms or lower
A1SY60					2A	4A	-	2ms or lower	2ms or lower
A1SY60E	Transistor Output (source type)		5/12 /24VDC	2A	4A	-	3ms or lower	10ms or lower	
A1SY68A	Transistor Output (sink/source type)	8	5/12 24/48VDC	2A	-	-			

For all modules, the insulation system is photocoupler insulation and the output indications are LED indications.

*1 The dynamic scan cycle is 13.3ms (FAST mode) or 106.7ms (SLOW mode).

(Set using the DIP switch on the module rear.)

Field Wiring	Points/ Common	Surge Suppression	Fuse Rating	Error display	External Power Supply (TYP VDC24)	Internal Current Consumption	No. of Occupied Points
					Current		
	8	None	None	None	0.090A	0.12A	16
	8				0.090A	0.12A	
	4				0.1A	0.12A	
	-				0.075A	0.24A	
	-				0.075A	0.24A	
	8	CR absorber	5A	LED	0.002A *3	0.27A	
	-	CR absorber varistor	None	None	-	0.13A	
	4	CR absorber				0.27A	
	8		1.6A	LED	0.008A	0.27A	
			None	None	0.011A	0.079A *6	
40-pin connector	32		3.2A	LED	0.008A	0.5A	32
40-pin connector x2			3.2A	LED	0.008A	0.93A	64
Terminal	8		3.2A	LED	0.06A	0.12A	16
			5A		0.015A	0.12A	
			7A		0.01A	0.2A	
			None		-	0.11A	
	-		None	None	-	0.11A	

*2 Set using the DIP switch on the module front.

*3 Value at TYP 200VAC.

*4 Value at TYP 12VDC.

*5 "ERR".LED turns on when fuse is blown or external supply power is off.

*6 0.08A is shown on the rating plate of the module.

*7 0.15A is shown on the rating plate of the module.

Model	Type	No. of Points	Rated Load Voltage	Max. Load Current			Max. Output Response Time		
				Point	Common	Module	OFF to ON	ON to OFF	
A1SY71	Transistor Output (for TTL/CMOS) sink type	32	5/12VDC	0.016A	0.256A	-	1ms or lower	1ms or lower	
A1SY80	Transistor Output (source type)	16	12/24V DC	0.8A	3.2A	-	2ms or lower	2ms or lower	
A1SY81		32		0.1A	2A	-	0.5ms or lower	1.5ms or lower	
A1SY81EP				64	12VDC 0.1A	12VDC 1.6A	-	2ms or lower	2ms or lower
A1SY82		24VDC 0.05A			24VDC 1.6A	-	2ms or lower	2ms or lower	
A1S42Y		Transistor Output (dynamic)		16/32 48/64*2	0.1A	-	-	2ms or lower *1	2ms or lower *1

*1 The dynamic scan cycle is 13.3ms (FAST mode) or 106.7ms (SLOW mode).
(Set using the DIP switch on the module rear.)

	Field Wiring	Points/ Common	Surge Suppression	Fuse Rating	Error display	External Power Supply (TYP VDC24)	Internal Current Consumption	No. of Occupied Points
						Current		
	40-pin connector	32	None	1.6A	LED	0.15A *4	0.4A	32
	Terminal	8	Zener diode	5A		0.02A	0.12A	16
	37-pin D-sub connector x2	32		3.2A	None	0.008A	0.5A	32
			Clamp diode	None		0.080A	0.5A	
	40-pin connector x2	32	Zener diode	3.2A	LED	0.008A	0.93A	64
	24-pin connector	-	None	1.6A	LED	0.055A	0.18A	16/32 48/64

*2 Set using the DIP switch on the module front.

*3 Value at TYP 200VAC.

*4 Value at TYP 12VDC.

*5 "ERR".LED turns on when fuse is blown or external supply power is off.

*6 0.08A is shown on the rating plate of the module.

*7 0.15A is shown on the rating plate of the module.

5.2.2 Output module connections

	Model	Rated Load Voltage
(1)	A1SY10	240 VAC, 24 VDC

*: The external load power supply section is as shown below.

*: The external load power supply section is as shown below.

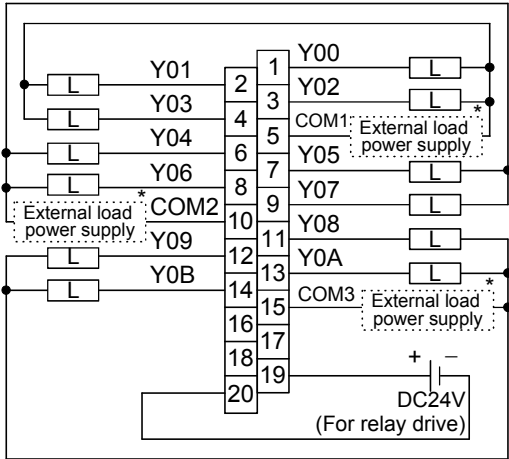
⚠ DANGER

- Do not touch any terminal during power distribution. Doing so may cause an electric shock or malfunctions.

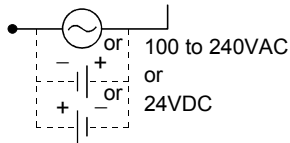
⚠ DANGER

- Do not touch any terminal during power distribution. Doing so may cause an electric shock or malfunctions.

(3)	Model	Rated Load Voltage
	A1SY14EU	240 VAC, 24 VDC



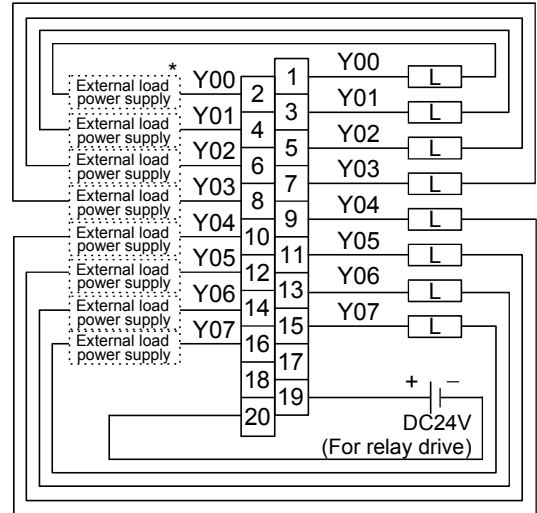
*: The external load power supply section is as shown below.



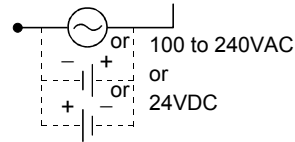
⚠ DANGER

- Do not touch any terminal during power distribution. Doing so may cause an electric shock or malfunctions.

(4)	Model	Rated Load Voltage
	A1SY18A A1SY18AEU	240 VAC, 24 VDC



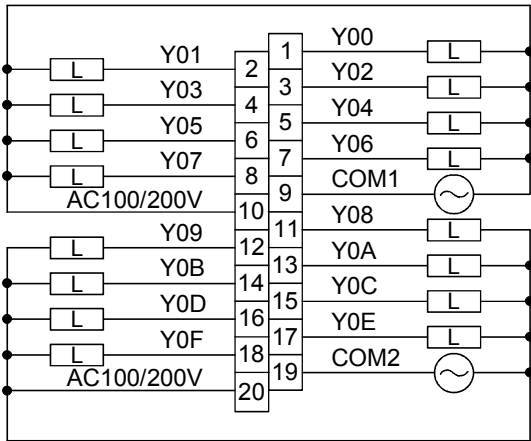
*: The external load power supply section is as shown below.



⚠ DANGER

- Do not touch any terminal during power distribution. Doing so may cause an electric shock or malfunctions.

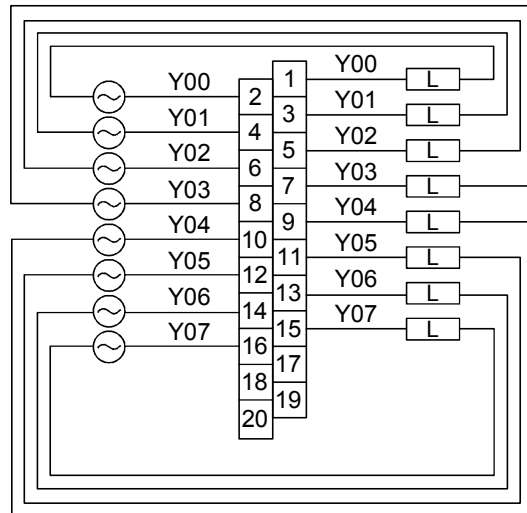
(5)	Model	Rated Load Voltage
	A1SY22	100/200 VAC



⚠ DANGER

- Do not touch any terminal during power distribution. Doing so may cause an electric shock or malfunctions.

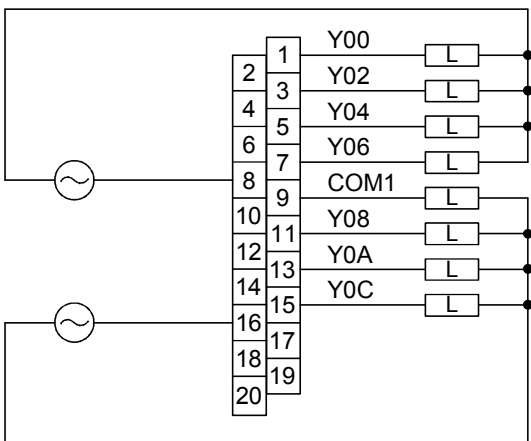
(6)	Model	Rated Load Voltage
	A1SY28A	100/200 VAC



⚠ DANGER

- Do not touch any terminal during power distribution. Doing so may cause an electric shock or malfunctions.

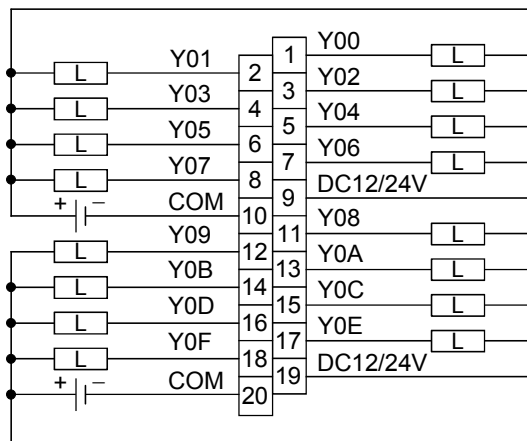
(7)	Model	Rated Load Voltage
	A1SY28EU	100-240 VAC



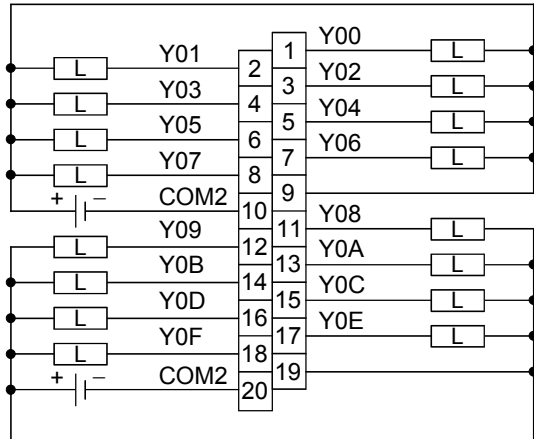
⚠ DANGER

- Do not touch any terminal during power distribution. Doing so may cause an electric shock or malfunctions.

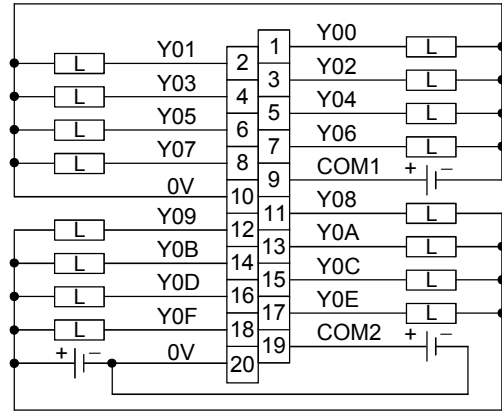
(8)	Model	Rated Load Voltage
	A1SY40 A1SY40P	12/24 VAC



(9)	Model	Rated Load Voltage
	A1SY50	12/24 VDC
	A1SY60	24 VDC



(10)	Model	Rated Load Voltage
	A1SY60E	5/12/24 VDC

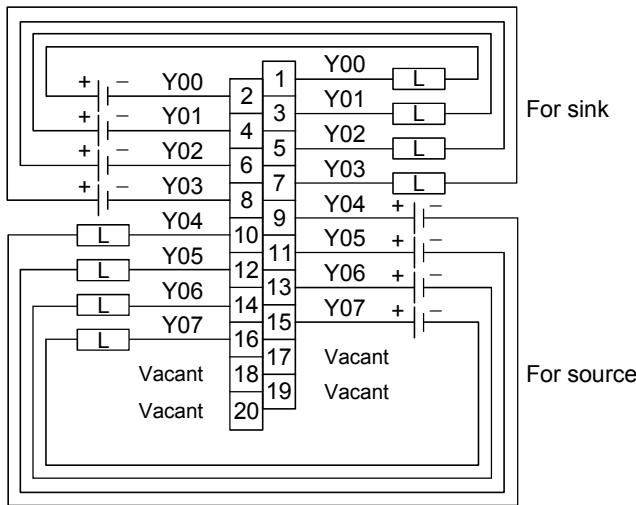


For a load voltage of 12/24 VDC.

For a load voltage of 5 VDC.

* When using a working load voltage of 5VDC, a separate 12/24VDC source is required for the external power supply.

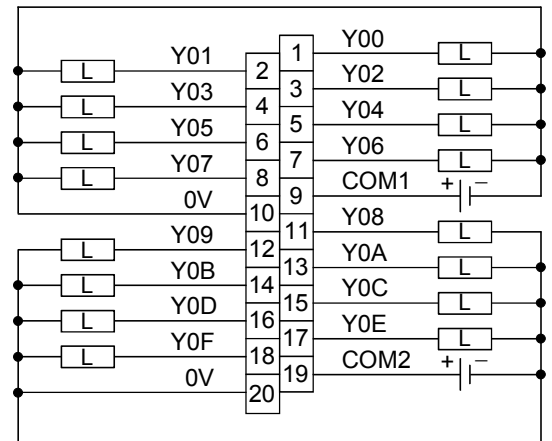
(11)	Model	Rated Load Voltage
	A1SY68A	5/12/24/48 VDC



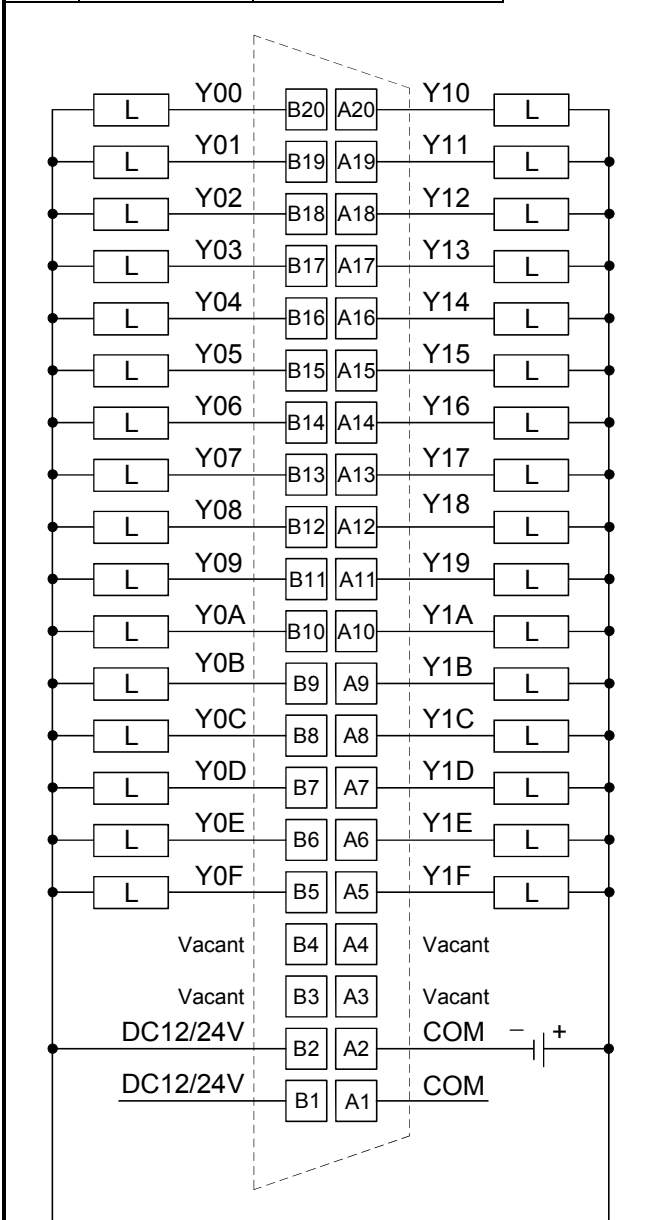
For sink

For source

(12)	Model	Rated Load Voltage
	A1SY80	12/24 VAC



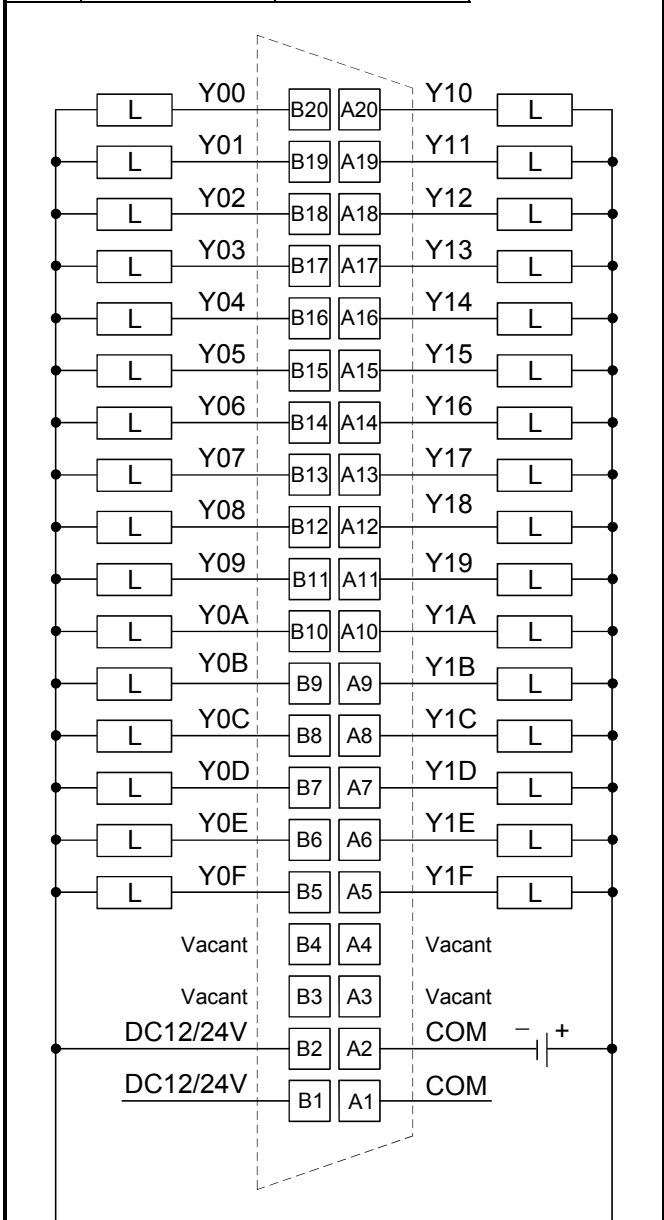
(13)	Model	Rated Load Voltage
	A1SY41 A1SY41P	12/24 VDC



*1 [B1] and [B2] , and [A1] and [A2] , are connected internally.

*2 The A and B pin number rows shown above are transposed with respect to the diagram of the A and B rows which is printed on the module. Remember that the A row pin numbers correspond to the B row of the module.

(14)	Model	Rated Load Voltage
	A1SY42 A1SY42P	12/24 VDC



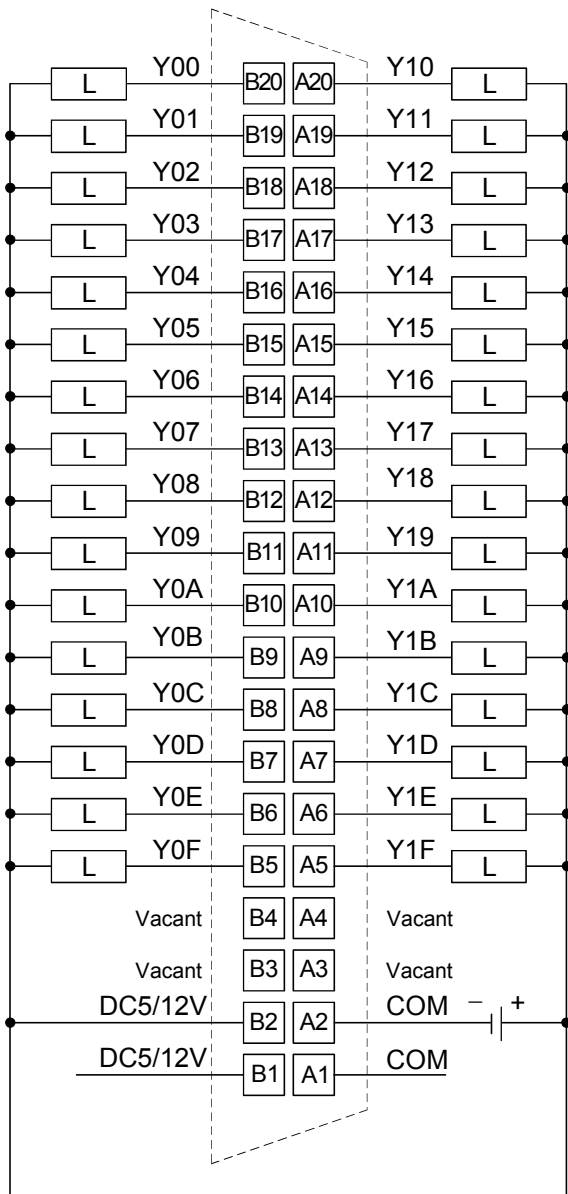
*1 The figure above indicates [F] (the first half 32 points).

The connections for [L] (the latter half 32 points) are the same as for [F] (regard Y00 to Y1F as Y20 to Y3F.)

[B1] and [B2] , and [A1] and [A2] , are connected internally.

*2 The A and B pin number rows shown above are transposed with respect to the diagram of the A and B rows which is printed on the module. Remember that the A row pin numbers correspond to the B row of the module.

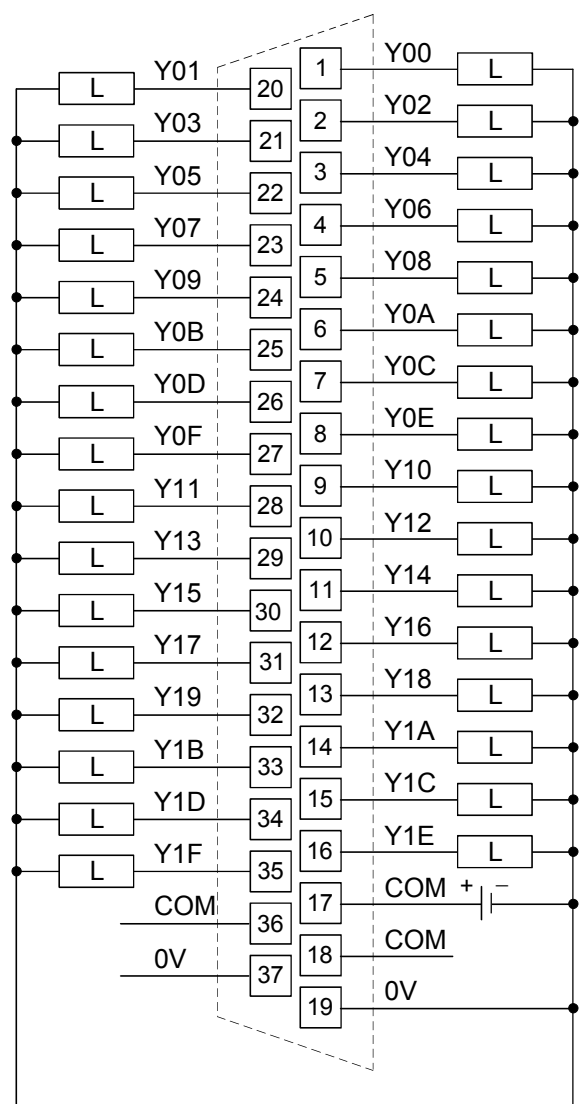
(15)	Model	Rated Load Voltage
	A1SY71	5/12 VDC



*1 [B1] and [B2] , and [A1] and [A2] , are connected internally.

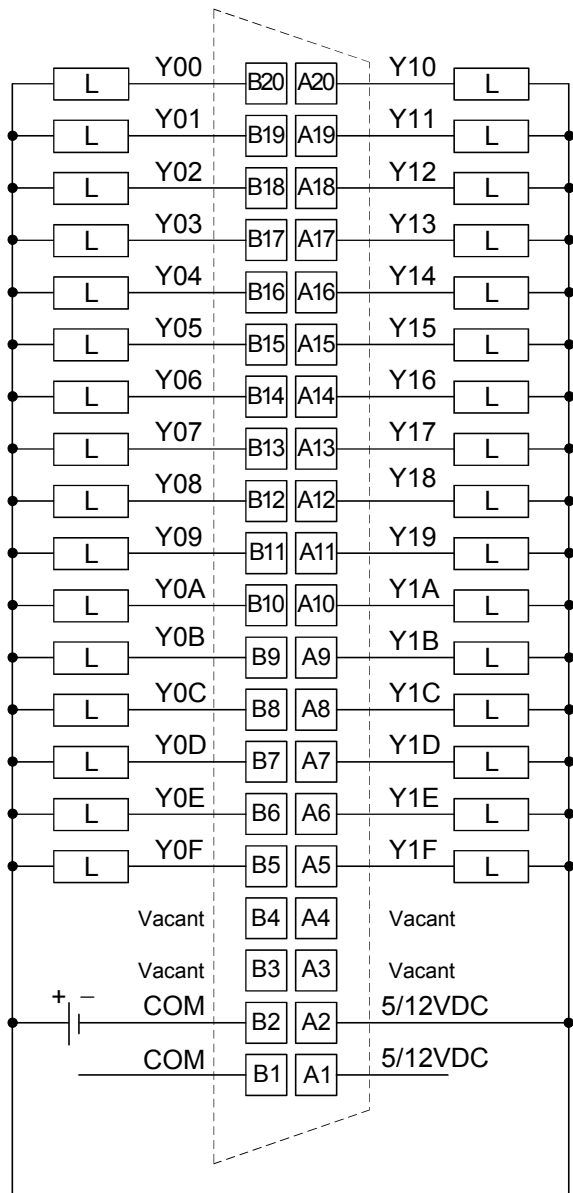
*2 The A and B pin number rows shown above are transposed with respect to the diagram of the A and B rows which is printed on the module. Remember that the A row pin numbers correspond to the B row of the module.

(16)	Model	Rated Load Voltage
	A1SY81 A1SY81EP	12/24 VDC



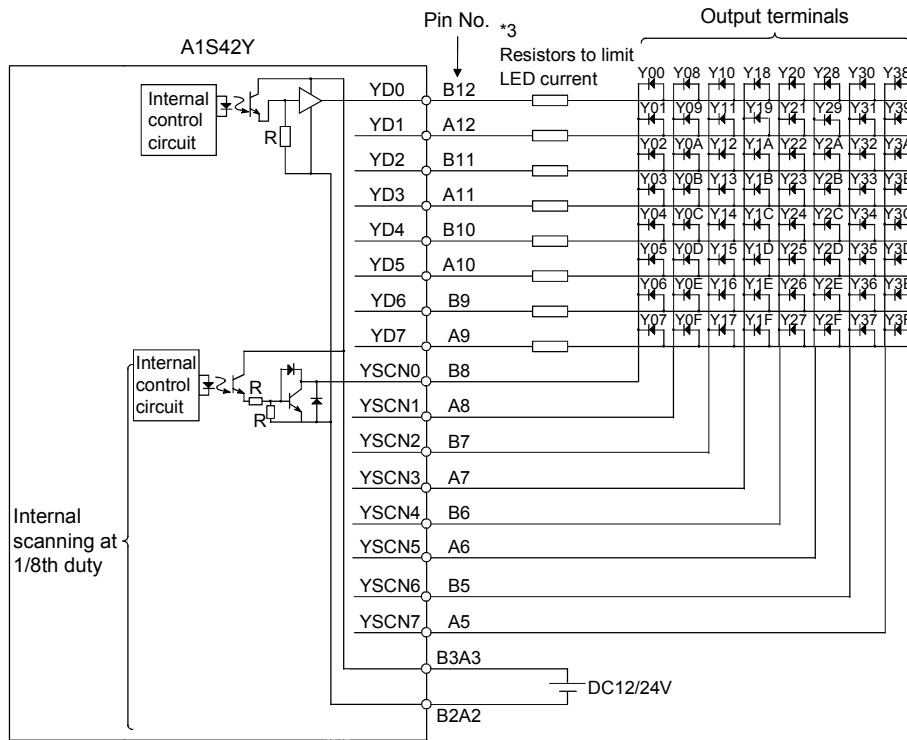
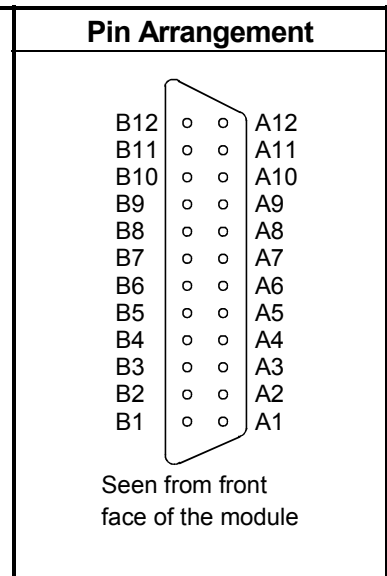
● [17] and [18] and [36] , and [19] and [37] are connected internally.

(17)	Model	Rated Load Voltage
	A1SY82	12/24 VDC



- *1 The figure above indicates **F** (the first half 32 points).
The connections for **L** (the latter half 32 points) are the same as for **F** (regard Y00 to Y1F as Y20 to Y3F.)
B1 and **B2** , and **A1** and **A2** , are connected internally.
- *2 The A and B pin number rows shown above are transposed with respect to the diagram of the A and B rows which is printed on the module. Remember that the A row pin numbers correspond to the B row of the module.

(18)	Model	Rated Load Voltage
	A1S42Y	12/24 VDC



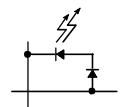
Pin No.	Signal Name (F _H)	Pin No.	Signal Name (F _H)
B12	YD0	A12	YD1
B11	YD2	A11	YD3
B10	YD4	A10	YD5
B9	YD6	A9	YD7
B8	YSCN0	A8	YSCN1
B7	YSCN2	A7	YSCN3
B6	YSCN4	A6	YSCN5
B5	YSCN6	A5	YSCN7
B4	Vacant	A4	Vacant
B3	12/24 VDC	A3	12/24 VDC
B2	0V	A2	0V
B1	Vacant	A1	Vacant

*1 The fuse in the output module is provided to prevent the external wiring from burning in the event of a short circuit in the module's output. Consequently, it may not be able to protect output devices.

If an output device is damaged in a failure mode other than a short circuit, the fuse might not be blown.

*2 The "ERR." LED will also come ON when the external power supply is cut.

*3 Mount the resistors to limit LED current externally to the A1S42Y.



*4 The power supply voltage (12/24VDC) is applied in the LED's reverse direction. If the peak inverse voltage is insufficient, connect protective diodes in series with each of the LEDs.

5.3 Input/output combined modules

5.3.1 Input/output combined module specifications

Model	Type	No. of Points	Rated Input Voltage	Input Current	Operating Voltage	
					ON Voltage	OFF Voltage
A1SH42	DC Input (sink type)	32	12/24VDC	2/5mA	8VDC or higher	4VDC or lower
A1SH42-S1			24VDC	5mA	15VDC or higher	3VDC or lower
A1SJ-56DT			24VDC	7mA	14VDC or higher	6.5VDC or lower
A1SJ-56DR						
A1SX48Y18						
A1SX48Y58		8				

Model	Type	No. of Points	Rated Load Voltage	Max. Load Current		Max. Output Response Time	
				1 Point	Common	OFF to ON	ON to OFF
A1SH42	Transistor Output (sink type)	32	12/24VDC	0.1A	1.6A	2ms or lower	2ms or lower
A1SH42-S1							
A1SJ-56DT		Relay Output	24	24VDC	0.5A	4A	10ms or lower
A1SJ-56DR							
A1SX48Y18	8		12/24VDC	0.5A	2A	2ms or lower	2ms or lower
A1SX48Y58							

For all modules, the insulation system is photocoupler insulation and the operation status is provided by LED indications.

*15 slots occupied (Slot 0: 64 output points, Slots 1 to 4: 16 empty points each)

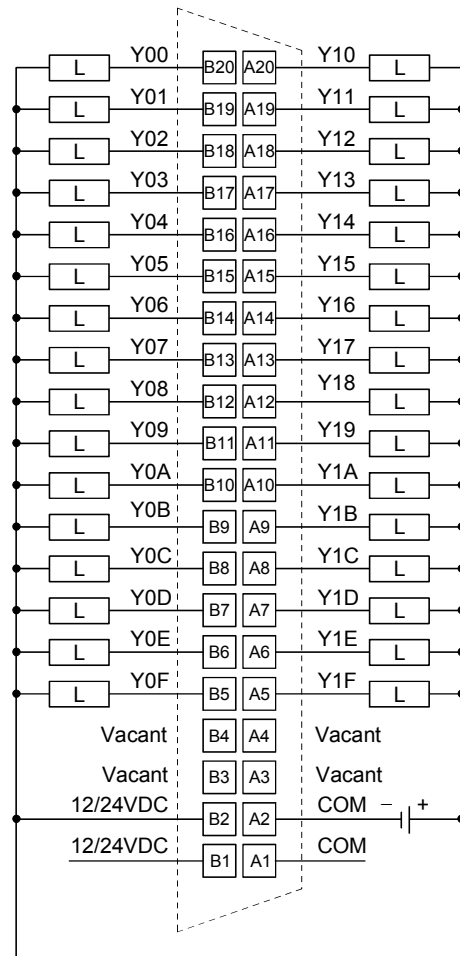
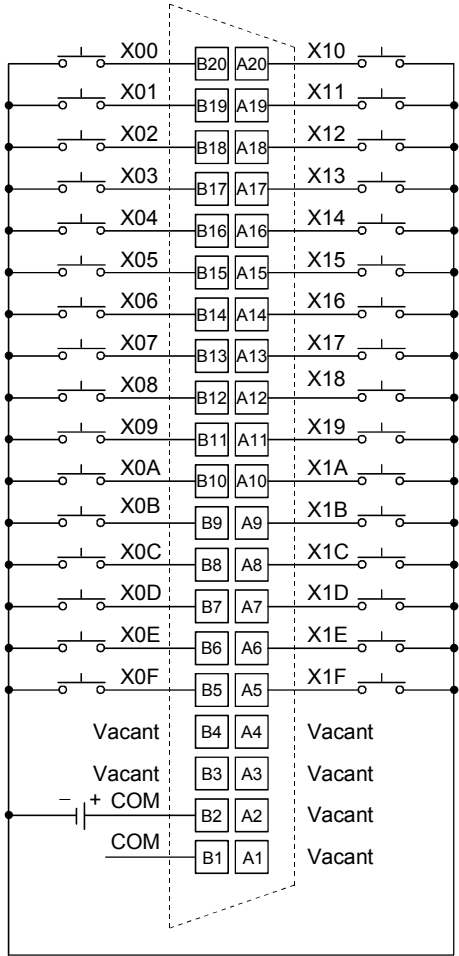
*2Relay coil driving power supply

	Max. Simultaneous Input Points (Percentage Simultaneously ON)	Max. Response Time		No. of Occupied Points
		OFF to ON	ON to OFF	
	60%(24VDC)	10ms or lower	10ms or lower	32
		0.3ms or lower	0.3ms or lower	20
	60%	10ms or lower	10ms or lower	16
	100%(26.4VDC)			8

	Points/ Common	Field Wiring	Surge Suppression	Fuse Rating	External Power Supply (TYP 24VDC)	External Current Consumption (5VDC)	No. of Occupied Points
					Current		
	32	40-pin Connector	Zener diode	3.2A	0.008A	0.5A	32
	8	Terminal		None	None	0.06A	0.22A
			0.14A*2				
			0.045A	0.085A	16		
Zener diode	3.2A	0.06A	0.06A				

5.3.2 Input/output composite module connections

(1)	Model	Rated Input Voltage	Rated Load Voltage
	A1SH42	12/24 VDC	12/24 VDC
	A1SH42-S1	24 VDC	12/24 VDC



X (Input side)

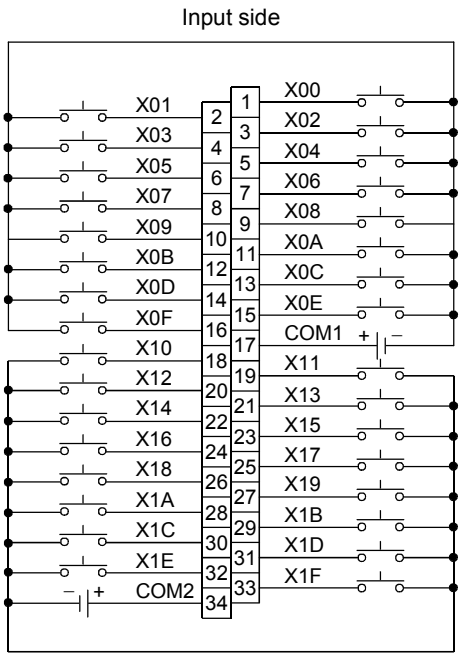
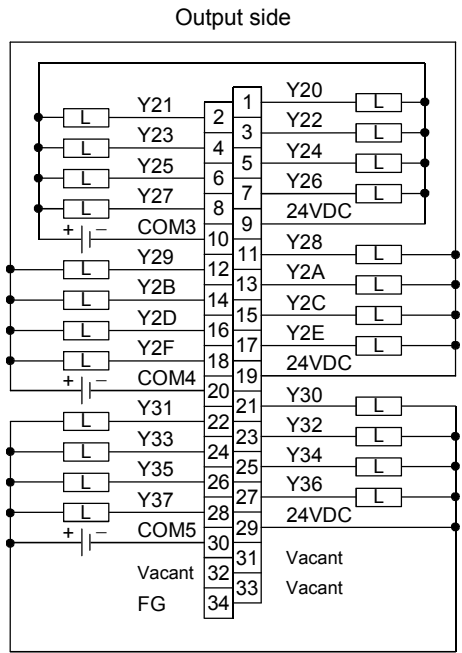
Y (Output side)

*1 **B1** and **B2** are connected internally.

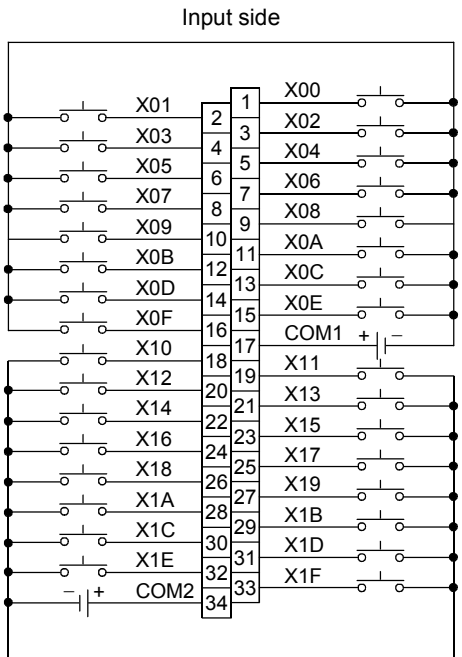
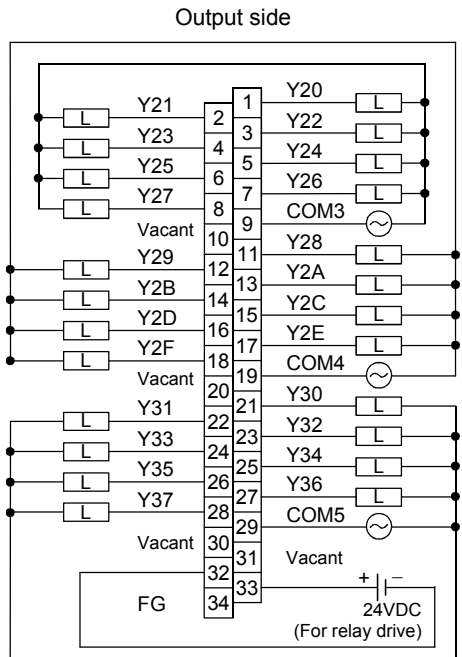
*3 **B1** and **B2**, and **A1** and **A2**, are connected internally.

*2 The A and B pin number rows shown above are transposed with respect to the diagram of the A and B rows which is printed on the module. Remember that the A row pin numbers correspond to the B row of the module.

(2)	Model	Rated Input Voltage	Rated Load Voltage
	A1SJ-56DT	24 VDC	24 VDC

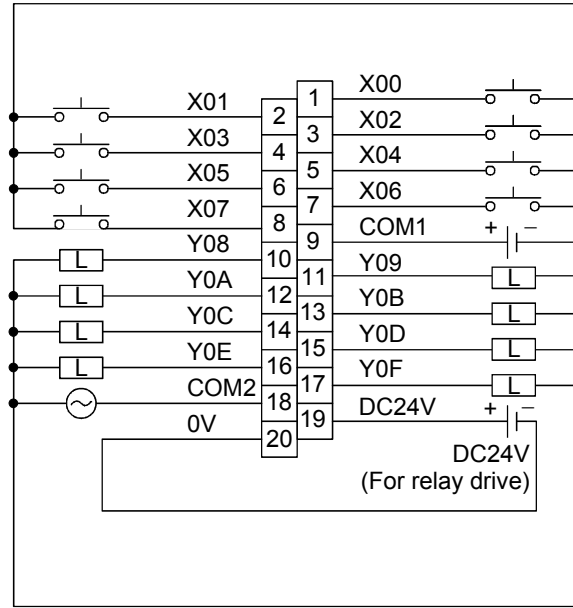


(3)	Model	Rated Input Voltage	Rated Load Voltage
	A1SJ-56R	24 VDC	100/200 VDC



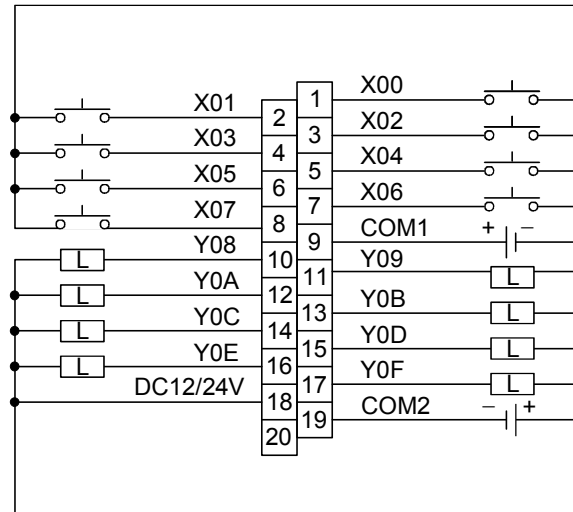
⚠ DANGER ● Do not touch any terminal during power distribution. Doing so may cause an electric shock or malfunctions.

(4)	Model	Rated Input Voltage	Rated Load Voltage
	A1SX48Y18	24 VDC	24 VDC/ 240 VAC



⚠ DANGER ● Do not touch any terminal during power distribution. Doing so may cause an electric shock or malfunctions.

(5)	Model	Rated Input Voltage	Rated Load Voltage
	A1SX48Y58	24 VDC	12/24 VDC



6. ERROR CODES

6.1 Error Code List

If an error occurs in the RUN mode, an error display or error code (including a step number) is stored in the special register by the self-diagnosis function. The error code reading procedure and the causes of and corrective actions for errors are shown in Table 6.1

6.1.1 Error Codes

The following are the explanation about the descriptions and the causes of the error messages, error codes and the detailed error codes, and their correctives actions.

The detailed error codes are stored in D9092 only when using the dedicated instruction for CC-Link.

Table 6.1 Error Code List

Error Message	Error Code (D9008)	Detailed Error Code (D9092)	CPU States	Error and Cause	Corrective Action
"INSTRCT. CODE ERR"	10	—	Stop	Instruction code, which cannot be decoded by CPU module, is included in the program. (1)Memory cassette including instruction code, which cannot be decoded, has been loaded. (2)Since the memory contents have changed for some reason, instruction code, which cannot be decoded, has been included.	(1)Read the error step by use of peripheral equipment and correct the program at that step. (2)In the case of memory cassette, rewrite the contents or replace the cassette with a memory cassette which stores correct contents.
		101		Instruction code, which cannot be decoded by CPU module, is included in the program. (1)Memory cassette including instruction code, which cannot be decoded, has been loaded. (2)Since the memory contents have changed for some reason, instruction code, which cannot be decoded, has been included.	(1)Read the error step by use of peripheral equipment and correct the program at that step. (2)In the case of memory cassette, rewrite the contents or replace the cassette with a memory cassette which stores correct contents.

Table 6.1 Error Code List (Continue)

Error Message	Error Code (D9008)	Detailed Error Code (D9092)	CPU States	Error and Cause	Corrective Action
"INSTRCT. CODE ERR"	10	103	Stop	Device specified by a dedicated instruction for CC-Link is not correct.	Read the error step using a peripheral device and correct the program of the step.
		104		A dedicated instruction for CC-Link has incorrect program structure.	
		105		A dedicated instruction for CC-Link has incorrect command name.	
"PARAMETER ERROR"	11	—	Stop	The contents of parameters of CPU memory have changed due to noise or the improper loading of memory.	(1)Load the memory cassette correctly. (2)Read the parameter contents of CPU memory, check and correct the contents, and write them to CPU again.
"MISSING END INS."	12	—	Stop	There is no END (FEND) instruction in the program.	Write END instruction at the end of program.

Table 6.1 Error Code List (Continue)

Error Message	Error Code (D9008)	Detailed Error Code (D9092)	CPU States	Error and Cause	Corrective Action
"CAN'T EXECUTE (P)"	13	—	Stop	<p>(1)There is no jump destination or multiple destinations specified by the <code>CJ</code>, <code>SCJ</code>, <code>CALL</code>, <code>CALLP</code>, or <code>JMP</code> instruction.</p> <p>(2)Although there is no <code>CALL</code> instruction, the <code>RET</code> instruction exists in the program and has been executed.</p> <p>(3)The <code>CJ</code>, <code>SCJ</code>, <code>CALL</code>, <code>CALLP</code>, or <code>JMP</code> instruction has been executed with its jump destination located below the <code>END</code> instruction.</p> <p>(4)The number of the <code>FOR</code> instructions is different from that of the <code>NEXT</code> instructions.</p> <p>(5)A <code>JMP</code> instruction is given within a <code>FOR to NEXT</code> loop causing the processing to exit the loop.</p> <p>(6)Processing exited subroutine by the <code>JMP</code> instruction before execution of the <code>RET</code> instruction.</p> <p>(7)Processing jumped into a step in a <code>FOR to NEXT</code> loop or into a subroutine by the <code>JMP</code> instruction.</p>	<p>Read the error step by use of peripheral equipment and correct the program at that step.</p> <p>(Insert a jump destination or reduce multiple destinations to one.)</p>

Table 6.1 Error Code List (Continue)

Error Message	Error Code (D9008)	Detailed Error Code (D9092)	CPU States	Error and Cause	Corrective Action
"CHK FORMAT ERR"	14	—	Stop	<p>(1)Instructions (including <code>NOP</code>) except <code>LD X□</code>, <code>LDI X□</code>, <code>AND X□</code> and <code>ANI X□</code> are included in the <code>CHK</code> instruction circuit block.</p> <p>(2)Multiple <code>CHK</code> instructions are given.</p> <p>(3)The number of contact points in the <code>CHK</code> instruction circuit block exceeds 150.</p> <p>(4)The device number of X in the <code>CHK</code> instruction circuit block exceeds X7FE.</p> <p>(5)There is no <code>CJP□</code> circuit block before the <code>CHK</code> instruction circuit block.</p> <p>(6)The device number of D1 of the <code>CHKD1D2</code> instruction is different from that of the contact point before the <code>CJP□</code> instruction.</p> <p>(7)Pointer P254 is not given to the head of the <code>CHK</code> instruction circuit block.</p> <p>P254<code>CHKD1D2</code></p>	<p>(1)Check the program in the <code>CHK</code> instruction circuit block according to item (1) to (7) in the left column. Correct problem using the peripheral equipment and perform operation again.</p> <p>(2)This error code is only effective when the input/output control method is a direct method.</p>
"CAN'T EXECUTE (I)"	15	—	Stop	<p>(1)Although the interrupt module is used, there is no number of interrupt pointer I, which corresponds to that module, in the program or there are multiple numbers.</p> <p>(2)No <code>IRET</code> instruction has been entered in the interrupt program.</p> <p>(3)There is <code>IRET</code> instruction in other than the interrupt program.</p>	<p>(1)Check for the presence of interrupt program which corresponds to the interrupt unit, create the interrupt program, and reduce the same numbers of I.</p> <p>(2)Check if there is <code>IRET</code> instruction in the interrupt program and enter the <code>IRET</code> instruction.</p> <p>(3)Check if there is <code>IRET</code> instruction in other than the interrupt program and delete the <code>IRET</code> instruction.</p>

Table 6.1 Error Code List (Continue)

Error Message	Error Code (D9008)	Detailed Error Code (D9092)	CPU States	Error and Cause	Corrective Action
"ROM ERR"	17	—	Stop	Parameters and/or sequence programs are not correctly written to the mounted memory cassette.	(1)Correctly write parameters and/or sequence programs to the memory cassette. (2)Remove the memory cassettes that contain no parameters or sequence programs.
				Parameters stored in the memory cassette have exceeded the limit of available program capacity. Ex.)Default parameters (program capacity: 6k steps) are written to A1NMCA-2KE.	(1)Adjust the program capacity for parameters to the memory cassette used. (2)Use the memory cassette of which memory capacity is larger than the program capacity for parameters.
"RAM ERROR"	20	—	Stop	The CPU has checked if write and read operations can be performed properly to the data memory area of CPU, and as a result, either or both has not been performed.	Since this CPU hardware error, consult Mitsubishi representative.
"OPE. CIRCUIT ERR"	21	—	Stop	The operation circuit, which performs the sequence processing in the CPU, does not operate properly.	
"WDT ERROR"	22	—	Stop	Scan time exceeds watch dog error monitor time. (1)Scan time of user program has been exceeded for some conditions. (2)Scan time has lengthened due to instantaneous power failure which occurred during scan.	(1)Calculate and check the scan time of user program and reduce the scan time using the [CJ] instruction or the like. (2)Monitor the content of special register D9005 by use of peripheral equipment. When the content is other than 0, line voltage is insufficient. When the content is other than 0, the power voltage is unstable.

Table 6.1 Error Code List (Continue)

Error Message	Error Code (D9008)	Detailed Error Code (D9092)	CPU States	Error and Cause	Corrective Action
"END NOT EXECUTE"	24	—	Stop	(1)When the END instruction was to be executed, the instruction was read as other instruction code due to noise or the like. (2)The END instruction has changed to another instruction code for some reason.	Reset and run the CPU module again. If the same error is displayed again, it is the CPU hardware error, consult Mitsubishi representative.
"WDT ERROR"	25	—	Stop	The CJ instruction or the like causes a loop in execution of the sequence program to disable execution of the END instruction.	Check the program for an endless loop and correct.
"UNIT VERIFY ERR."	31	—	Stop or Continue (set by parameter)	I/O module data are different from those at power-on. (1)The I/O module (including the special function module) is incorrectly loaded or has been removed, or a different unit has been loaded.	(1)The bit in special registers D9116 to D9123 corresponding to the module causing the verification error is "1." Use a peripheral device to monitor the registers to locate the "1" bit, and check or replace the corresponding module. (2)To accept the current module arrangement, operate the RUN/STOP key switch to reset.
"FUSE BREAK OFF"	32	—	Stop or Continue (set by parameter)	(1)The fuse is blown in some output modules. (2)The external power supply for the output load is turned off or it is disconnected.	(1)Check the ERR LED of the output module. Replace the module with the lit LED. (2)Among special registers D9100 to D9107, the bit corresponding to the unit of fuse break is "1" Replace the fuse of a corresponding module. Monitor and check it. (3)Check ON/OFF of the external power supply for the output load.

Table 6.1 Error Code List (Continue)

Error Message	Error Code (D9008)	Detailed Error Code (D9092)	CPU States	Error and Cause	Corrective Action
"CONTROL-BUS ERR."	40	—	Stop	The FROM and TO instructions cannot be executed. (1)Error of control bus with special function module.	The hardware of the special function module, CPU module or base unit is faulty. Replace the faulty module and check the faulty module. Consult Mitsubishi representative.
"SP. UNIT DOWN"	41	—	Stop	There is no reply from the special function module during execution of the FROM or TO instruction. (1)The special function module being accessed is faulty.	The hardware of the special function module being accessed is faulty. Consult Mitsubishi representative.
"I/O INT. ERROR"	43	—	Stop	Interrupt occurs though no interrupt module is installed.	The hardware of a module is faulty. Replace the module and check the faulty module. Consult Mitsubishi representative.
"SP. UNIT LAY. ERROR."	44	—	Stop	(1)Three or more computer link modules are installed for a single CPU module. (2)Two or more MELSECNET (II), MELSECNET /B or MELSECNET /10 data link modules are installed. (3)Two or more interrupt modules are installed. (4)A special function module is installed to a slot assigned to the I/O module with parameter setup of the peripheral device, or vice versa. (5)The I/O module or special function module is installed outside the following I/O number ranges, or GOT is connected to the bus. A1SH, A1SJHCPU: X0 to XFF A2SHCPU(S1): X0 to X1FF	(1)Reduce the number of computer link modules to within two. (2)Reduce the number of MELSECNET (II), MELSECNET /B and MELSECNET /10 data link modules to one. (3)Reduce the number of interrupt modules to one. (4)Using the peripheral device, correct the parameter I/O assignment according to the actual state of installation of the special function modules. (5)Examine the I/O number and remove the modules and GOT installed outside the range specified on the left.

Table 6.1 Error Code List (Continue)

Error Message	Error Code (D9008)	Detailed Error Code (D9092)	CPU States	Error and Cause	Corrective Action
"SP. UNIT ERROR"	46	—	Stop or Continue (set by parameter)	(1)Access (execution of FROM or TO instruction) has been made to a location where no special function module is installed.	(1)Use the peripheral device to read and correct the FROM and/or TO instruction at the error step.
		462		(1)There is inconsistency in the module name between the special instruction for CC-Link and I/O assignment of the parameter. (2)The location designated by the special instruction for CC-Link is not the master module.	(1)Correct the module name of I/O assignment of the parameter to that of the special instruction for CC-Link. (2)Use the peripheral device to check and correct the special instruction for CC-Link at the error step.
"LINK PARA. ERROR"	47	—	Continue	(1)There is inconsistency for some reason between the data, which is written by the peripheral device in the parameter area of the link under link range designation using parameter setup, and the link parameter data read by the CPU module. (2)The total number of stations is set at "0."	(1)Write parameters and check again. (2)If the error persists, there is a fault in hardware. Consult Mitsubishi representative.

Table 6.1 Error Code List (Continue)

Error Message	Error Code (D9008)	Detailed Error Code (D9092)	CPU States	Error and Cause	Corrective Action	
"OPERATION ERROR"	50	—	Stop or Continue (set by parameter)	(1)The result of BCD conversion exceeds the rated range ("9999" or "99999999"). (2)There is a setting exceeding the rated device range, disabling execution of calculation. (3)The file register is used on the program without designation of the capacity of the file register.	Use the peripheral device to read and correct the error step in the program. (Check the setting range of the device, BCD conversion value and so on.)	
		503		The data stored by the designated device or a constant exceeds the allowable range.		Use the peripheral device to read and correct the error step in the program.
		504		The setting quantity of handled data exceeds the allowable range.		
		509		The number of special instructions for CC-Link executed in each scan exceeds 64.	Reduce the special instructions for CC-Link executed in each scan to within 64.	
		A special instruction for CC-Link is executed to a CC-Link module to which no parameter is defined.		Define parameters.		
"MAIN CPU DOWN"	60	—	Stop	(1)The CPU malfunctioned due to noise. (2)Hardware failure.	(1)Take proper countermeasures for noise. (2)Consult Mitsubishi representative.	
"BATTERY ERROR"	70	—	Continue	(1)The battery voltage is low. (2)The battery lead connector is not connected.	(1)Replace the battery. (2)Connect the lead connector to use the built-in RAM memory or power failure compensation function.	

Appendix 1 CPU-by-CPU Startup Names

CPU	Startup Name	CPU Name to Be Selected If the CPU Name Given on the Left Is Not Found
A1SJHCPU	A1SJH	A3

Appendix 2 Transportation Precautions

When transporting lithium batteries, make sure to treat them based on the transportation regulations.

Appendix 2.1 Relevant Models

The battery for the A1SJHCPU (including memory cards) is classified as shown in the table below.

Product Name	Model	Description	Handled As
A series battery	A6BAT	Lithium battery	Non-dangerous goods

Appendix 2.2 Transportation Guidelines

Products are packed properly in compliance with the transportation regulations prior to shipment. When repacking any of the unpacked products to transport it to another location, make sure to observe the IATA Dangerous Goods Regulations, IMDG Code and other local transportation regulations. For details, please consult your transportation company.

Warranty

Mitsubishi will not be held liable for damage caused by factors found not to be the cause of Mitsubishi; machine damage or lost profits caused by faults in the Mitsubishi products; damage, secondary damage, accident compensation caused by special factors unpredictable by Mitsubishi; damages to products other than Mitsubishi products; and to other duties.

⚠ For safe use

- This product has been manufactured as a general-purpose part for general industries, and has not been designed or manufactured to be incorporated in a device or system used in purposes related to human life.
- Before using the product for special purposes such as nuclear power, electric power, aerospace, medicine or passenger movement vehicles, consult with Mitsubishi.
- This product has been manufactured under strict quality control. However, when installing the product where major accidents or losses could occur if the product fails, install appropriate backup or failsafe functions in the system.

Country/Region	Sales office/Tel	Country/Region	Sales office/Tel
U.S.A	Mitsubishi Electric Automation Inc. 500 Corporate Woods Parkway Vernon Hills, IL 60061, U.S.A. Tel : +1-847-478-2100	Hong Kong	Mitsubishi Electric Automation (Hong Kong) Ltd. 10th Floor, Manulife Tower, 169 Electric Road, North Point, Hong Kong Tel : +852-2887-8870
Brazil	MELCO-TEC Rep. Com.e Assessoria Tecnica Ltda. Rua Correia Dias, 184, Edificio Paraiso Trade Center-8 andar Paraiso, Sao Paulo, SP Brazil Tel : +55-11-5908-8331	China	Mitsubishi Electric Automation (Shanghai) Ltd. 4/F Zhi Fu Plazz, No.80 Xin Chang Road, Shanghai 200003, China Tel : +86-21-6120-0808
Germany	Mitsubishi Electric Europe B.V. German Branch Gothaer Strasse 8 D-40880 Ratingen, GERMANY Tel : +49-2102-486-0	Taiwan	Setsuyo Enterprise Co., Ltd. 6F No.105 Wu-Kung 3rd.Rd, Wu-Ku Hsiang, Taipei Hsine, Taiwan Tel : +886-2-2299-2499
U.K	Mitsubishi Electric Europe B.V. UK Branch Travellers Lane, Hatfield, Hertfordshire., AL10 8XB, U.K. Tel : +44-1707-276100	Korea	Mitsubishi Electric Automation Korea Co., Ltd. 1480-6, Gayang-dong, Gangseo-ku Seoul 157-200, Korea Tel : +82-2-3660-9552
Italy	Mitsubishi Electric Europe B.V. Italian Branch Centro Dir. Colleoni, Pal. Perseo-Ingr.2 Via Paracelso 12, I-20041 Agrate Brianza., Milano, Italy Tel : +39-039-60531	Singapore	Mitsubishi Electric Asia Pte, Ltd. 307 Alexandra Road #05-01/02, Mitsubishi Electric Building, Singapore 159943 Tel : +65-6470-2460
Spain	Mitsubishi Electric Europe B.V. Spanish Branch Carretera de Rubi 76-80, E-08190 Sant Cugat del Valles, Barcelona, Spain Tel : +34-93-565-3131	Thailand	Mitsubishi Electric Automation (Thailand) Co., Ltd. Bang-Chan Industrial Estate No.111 Moo 4, Serithai Rd, T.Kannayao, A.Kannayao, Bangkok 10230 Thailand Tel : +66-2-517-1326
France	Mitsubishi Electric Europe B.V. French Branch 25, Boulevard des Bouvets, F-92741 Nanterre Cedex, France TEL: +33-1-5568-5568	Indonesia	P.T. Autoteknindo Sumber Makmur Muara Karang Selatan, Block A/Utara No.1 Kav. No.11 Kawasan Industri Pergudangan Jakarta - Utara 14440, P.O.Box 5045 Jakarta, 11050 Indonesia Tel : +62-21-6630833
South Africa	Circuit Breaker Industries Ltd. Private Bag 2016, ZA-1600 Isando, South Africa Tel : +27-11-928-2000	India	Messung Systems Pvt, Ltd. Electronic Sadan NO:III Unit No15, M.I.D.C Bhosari, Pune-411026, India Tel : +91-20-2712-3130
		Australia	Mitsubishi Electric Australia Pty. Ltd. 348 Victoria Road, Rydalmere, N.S.W 2116, Australia Tel : +61-2-9684-7777

MITSUBISHI ELECTRIC CORPORATION

HEAD OFFICE : TOKYO BUILDING, 2-7-3 MARUNOUCHI, CHIYODA-KU, TOKYO 100-8310, JAPAN
NAGOYA WORKS : 1-14, YADA-MINAMI 5-CHOME, HIGASHI-KU, NAGOYA, JAPAN

When exported from Japan, this manual does not require application to the Ministry of Economy, Trade and Industry for service transaction permission.

Specifications subject to change without notice.
Printed in Japan on recycled paper.