



**MITSUBISHI**  
PROGRAMMABLE CONTROLLERS  
MELSEC-F

ADVANCED AND EVER ADVANCING **MITSUBISHI ELECTRIC**

## **USER'S MANUAL**

FX COMMUNICATION (RS-232C, RS485)

# **FX**

希望该资料对您的开发有益处.

思南工控网是一个融 PLC,MODEM,远程监控,电梯,变频器,通信,工控软件等技术探讨的个人网站,同时还提供网友畅所欲言的 BBS 论坛和资料软件的下载邮购以及 PLC 解密等等服务.

思南工控网的宗旨是为广大业内人士提供一个良好的交流场所,同时使大家多多少少有些收获,因为我们大多经历了没有互联网时开发项目的艰难,资料难找,交流困难...好在一切已经改变.

那么,请记住这么一个网址:

<http://GKong.com>

3721 中文网址:思南工控

她将一如既往的为大家服务

她还很年轻,还在不断的完善之中

大家的建议和热心参与会使她更美

望大家常来关心她,帮助她

:~)

另:为了您更好的使用<<FX 通信编程手册>>,我们同时提供印制精致的原版书籍以及配套光盘,书籍近 200 页完整内容 A4 双面印刷,光盘内容为配套书电子版本,本站内容,常用 PLC 编程软件,本人开发调试的通信实例源程序(VB 程序和 PLC 的梯形图相结合,开发 PLC 通过 MODEM 直接拨打电话,电脑端通过 MODEM 连接远程 PLC 写入/读取数据,复/置位,强行 PLC 运行/停止等功能)以及开发心得(通信电缆制作要领,内部特殊寄存器设置要领,MODEM 设置方法,AT 指令解释等等).

需要者请与我们联系:[sinan@sina.com](mailto:sinan@sina.com) 或 [yml@public.szptt.net.cn](mailto:yml@public.szptt.net.cn)

# **FX COMMUNICATION (RS-232C, RS-485)**

## **USER'S MANUAL**

Manual number : JY992D69901

Manual revision : C

Date : March 2000

Brand and product names described by/in this manual are trademarks or registered trademarks of the irrespctive owners.



# Table of Contents

Guideline of Safety .....	v
<b>1. Introduction .....</b>	<b>1-1</b>
1.1 Communication Types .....	1-1
1.2 System Configuration .....	1-2
1.2.1 N:N Network.....	1-2
1.2.2 Parallel Link .....	1-2
1.2.3 Computer Link.....	1-3
1.2.4 No Protocol Communication .....	1-4
1.3 Supporting Function and Version .....	1-4
<b>2. Wiring .....</b>	<b>2-1</b>
2.1 Caution .....	2-1
2.1.1 Common .....	2-1
2.1.2 FX <sub>2N</sub> -485-BD .....	2-1
2.1.3 FX <sub>0N</sub> -485ADP .....	2-2
2.1.4 FX <sub>2</sub> -40AW.....	2-2
2.2 Using RS232C Interface .....	2-3
2.2.1 Using RS Instruction or Computer Link.....	2-3
2.2.2 Using FX <sub>2N</sub> -232IF .....	2-4
2.3 Using RS485 Interface.....	2-6
2.3.1 Selection of Wiring .....	2-6
2.3.2 Terminal Resistor .....	2-6
2.3.3 One-pair Wiring .....	2-7
2.3.4 Two-pair Wiring .....	2-8
2.4 Parallel Link .....	2-9
2.4.1 FX <sub>2N(1N)</sub> -485-BD and FX <sub>0N</sub> -485ADP .....	2-9
2.4.2 Only FX <sub>0N</sub> -485ADP.....	2-10
2.4.3 FX <sub>2N(1N)</sub> -485-BD and FX <sub>2N(1N)</sub> -485-BD .....	2-11
2.4.4 Only FX <sub>2</sub> -40AW .....	2-12
2.4.5 FX <sub>2</sub> -40AP .....	2-12
<b>3. Specifications .....</b>	<b>3-1</b>
3.1 Specifications of Communication .....	3-1
3.2 Communication Time.....	3-2
3.2.1 N:N network .....	3-2
3.2.2 Parallel link .....	3-2
3.2.3 Computer link.....	3-3

4. N:N Network.....	4-1
4.1 Related Flags and Data Registers.....	4-1
4.1.1 Auxiliary Relays .....	4-1
4.1.2 Data Registers .....	4-2
4.2 Setting.....	4-3
4.2.1 Setting the Station No. (D8176).....	4-3
4.2.2 Setting the Total Number of Slave Stations (D8177) .....	4-3
4.2.3 Setting the Refresh Range (D8178).....	4-4
4.2.4 Setting Retry Count (D8178).....	4-5
4.2.5 Setting Comms Time-out (D8179) .....	4-5
4.2.6 Program Used for Setting .....	4-6
4.3 Example Program .....	4-7
4.3.1 System Configuration .....	4-7
4.3.2 Operations .....	4-7
4.3.3 Example of Setting Program .....	4-8
4.3.4 Example of Error Program .....	4-8
4.3.5 Example of Operation Program .....	4-9
5. Parallel link.....	5-1
5.1 Related Flags and Data Registers .....	5-1
5.2 Mode and Link Device .....	5-2
5.2.1 Normal Mode (Special auxiliary relay M8162: OFF) .....	5-2
5.2.2 High Speed Mode (Special auxiliary relay M8162: ON) .....	5-3
5.3 Example Program .....	5-4
5.3.1 Normal Mode .....	5-4
5.3.2 High Speed Mode .....	5-4
6. Communication format (D8120).....	6-1
6.1 What Is Communication Format ? .....	6-1
6.2 Related Flags and Data Registers.....	6-1
6.2.1 Special Auxiliary Relays .....	6-1
6.2.2 Special Data Registers .....	6-1
6.3 Communication Format (D8120) .....	6-2
6.4 Example of setting program.....	6-3

<b>7. Computer Link</b> .....	<b>7-1</b>
7.1 Data Flow by Link .....	7-1
7.2 Information Needed Before Programming .....	7-3
7.2.1 Programmable Controller Operation .....	7-3
7.2.2 Notes of Computer .....	7-3
7.3 How to Read a Control Protocol Diagram.....	7-4
7.4 Basic Formats of Dedicated Protocol .....	7-5
7.4.1 Control Protocol Format 1 .....	7-6
7.4.2 Control Protocol Format 4.....	7-7
7.4.3 Control Protocol Parts Explained .....	7-8
7.4.4 Time- out Check Time.....	7-11
7.5 Communication Timing Chart .....	7-12
7.5.1 Reading Data from Programmable controller .....	7-12
7.5.2 Writing Data to Programmable Controller .....	7-12
7.5.3 Communication Time .....	7-13
7.6 Character Area Data Transmission .....	7-14
7.6.1 Bit Device Memory .....	7-14
7.6.2 Word Device Memory .....	7-15
7.7 Commands and Device Ranges .....	7-16
7.7.1 Commands.....	7-16
7.7.2 Device specification ranges .....	7-17
7.8 Example Computer Program for Loopback Test .....	7-18
<b>8. Commands</b> .....	<b>8-1</b>
8.1 Batch Read of Bit Device (BR command).....	8-2
8.2 Batch Read of Word Device (WR command) .....	8-3
8.3 Batch Write of Bit Device (BW command) .....	8-5
8.4 Batch Write of Word Device (WW command).....	8-6
8.5 Test of Bit Device (BT command).....	8-8
8.6 Test of Word Device (WT command) .....	8-9
8.7 Remote RUN/STOP (RR, RS commands) .....	8-10
8.7.1 Operation of Remote RUN/STOP .....	8-10
8.7.2 Conditions for Valid Execution of Remote RUN/STOP .....	8-10
8.7.3 Control Specification and Examples of Remote RUN/STOP .....	8-11
8.8 Reading The Programmable Controller Type (PC command).....	8-12
8.8.1 Type Codes .....	8-12
8.8.2 Control Specification and Example .....	8-13
8.9 Global Function (GW command) .....	8-14
8.9.1 Control Specification and Example of Global Function.....	8-14
8.10 On-demand Function .....	8-15
8.10.1 Special Devices Used in On-demand Function .....	8-15
8.10.2 On-demand Control Protocol .....	8-16
8.10.3 Specification and Example of On-demand.....	8-18
8.11 Loopback Test .....	8-21

9. RS instruction.....	9-1
9.1 Function and Operation .....	9-1
9.1.1 Send and Receive Program.....	9-1
9.1.2 Operation of RS Instruction.....	9-2
9.1.3 Related Flags and Data Registers .....	9-3
9.2 Hardware Hand Shake Operation.....	9-5
9.2.1 FX, FX2C, FX0N, FX1S, FX1N and FX2N (earlier than V 2.00).....	9-5
9.2.2 FX2N, FX2NC (V 2.00 or later) .....	9-9
9.3 Number of Communication Data .....	9-12
9.3.1 Deal with 16 bits Data .....	9-12
9.3.2 Deal with 8 bits Data .....	9-13
9.4 Example Program .....	9-14
9.4.1 Personal Computer .....	9-14
9.4.2 Printer .....	9-16
9.5 Supporting RS Instruction and Programming Protocol.....	9-18
9.5.1 Programmable Controller and Version.....	9-18
9.5.2 Operating Conditions and Format Set Content.....	9-18
10. FX2N-232IF .....	10-1
10.1 Introduction .....	10-1
10.1.1 Outline of Product .....	10-1
10.2 Allocation of Buffer Memories (BFM's) .....	10-2
10.2.1 BFM List .....	10-2
10.2.2 Communication Format <BFM#0> .....	10-4
10.2.3 Command <BFM #1> .....	10-8
10.2.4 Receive Upper Limit Byte Count <BFM #2> .....	10-9
10.2.5 Receive Time-out Time <BFM #3> .....	10-9
10.2.6 Send Header <BFM #5 (upper), BFM #4 (lower)>.....	10-9
10.2.7 Send Terminator <BFM #7 (upper), BFM #6 (lower)> .....	10-9
10.2.8 Receive Header <BFM #9 (upper), BFM #8 (lower)> .....	10-10
10.2.9 Receive Terminator <BFM #11 (upper), BFM #10 (lower)>.....	10-10
10.2.10 Receive Suspension Waiting Time <BFM #12> .....	10-10
10.2.11 Number of Remaining Send Data <BFM #13> .....	10-11
10.2.12 Number of Receive Buffers <BFM #14> .....	10-11
10.2.13 Send Sum Result <BFM #15> .....	10-11
10.2.14 Receive Sum Result <BFM #16>.....	10-11
10.2.15 Time from CS ON to Send Start <BFM #20>.....	10-12
10.2.16 Time from Completion of Actual Send to RS OFF (completion flag ON) <BFM #21> .....	10-12
10.2.17 Status <BFM #28> .....	10-13
10.2.18 Error Code <BFM #29>.....	10-14
10.2.19 Model Code <BFM #30> .....	10-14
10.2.20 Send Byte Count <BFM #1000> .....	10-14
10.2.21 Send Buffers <BFMs #1001 to #1256>.....	10-14
10.2.22 Receive Byte Count <BFM #2000> .....	10-15
10.2.23 Receive Buffers <BFM #2001 to #2256>.....	10-15
10.2.24 Spare Receive Buffers for Interlink Connection Mode <BFM #2257 to #2271> .....	10-15
10.3 Hardware Hand Shake Operation.....	10-16
10.3.1 No Hardware Hand Shake .....	10-16
10.3.2 Standard RS232C Mode.....	10-17
10.3.3 Interlink Mode .....	10-18
10.4 Example Program .....	10-19
10.4.1 Example of 16 Bits Data Communication .....	10-19
10.4.2 Example of 8 Bits Data Communication .....	10-23



11. Optional Programming Port.....	11-1
11.1 FX <sub>2N</sub> -422-BD, FX <sub>1N</sub> -422-BD.....	11-1
11.2 FX <sub>2N</sub> -232-BD FX <sub>1N</sub> -232BD and FX <sub>0N</sub> -232ADP.....	11-2
11.2.1 Connection cables.....	11-2
11.3 Cautions on Use.....	11-3
11.3.1 Cautions on Setting.....	11-3
11.3.2 Cautions on use.....	11-3
12. Diagnostics.....	12-1
12.1 Common Items.....	12-1
12.2 N:N Network.....	12-2
12.2.1 Error Code.....	12-2
12.2.2 Diagnostics.....	12-2
12.3 Parallel Link.....	12-3
12.3.1 Diagnostics.....	12-3
12.4 Computer Link.....	12-4
12.4.1 NAK Error Code.....	12-4
12.4.2 Programmable Controller Error Code.....	12-4
12.4.3 Diagnostics.....	12-5
12.5 RS Instruction.....	12-6
12.5.1 Diagnostics.....	12-6
12.6 FX <sub>2N</sub> -232IF.....	12-7
12.6.1 Error code.....	12-7
12.6.2 Diagnostics.....	12-7
12.7 Using Optional Programming Port.....	12-8
12.7.1 FX <sub>1S</sub> , FX <sub>1N</sub> and FX <sub>2N(C)</sub> earlier V2.00.....	12-8
12.7.2 FX <sub>2N</sub> , FX <sub>2NC</sub> whose version is V 2.00 or later.....	12-8
Appendix A:	
Further Information Manual List.....	A-1
Appendix B:	
ASCII code Lists.....	B-1



1	Introduction
2	Wiring
3	Specifications
4	N:N network
5	Parallel link
6	Communication format (D8120)
7	Computer link
8	Commands (for computer link)
9	RS instruction
10	FX <sub>2</sub> N-232IF
11	Optional programming port
12	Diagnostics
A	Further Information Manual List
B	ASCII code Lists



# 1. Introduction

## 1.1 Communication Types

The FX Series supports the following 5 types of communication.

1) N:N network

Data transfer with FX<sub>2N</sub>, FX<sub>2NC</sub>, FX<sub>1N</sub>, FX<sub>1S</sub>, FX<sub>0N</sub> programmable controllers can be performed on the N:N basis. They can link data of a small-scale system if using this network.

For system configuration refer to subsection 1.2.1, specifications refer to chapter 3, wiring refer to chapter 2, settings, the number of transferred data and example program refer to chapter 4, diagnostics refer to chapter 12.

2) Parallel link

Data transfer with FX<sub>2N</sub>, FX<sub>2NC</sub>, FX<sub>1N</sub>, FX and FX<sub>2C</sub> programmable controllers can be performed on a 1:1 basis for 100 auxiliary relays and 10 data registers. With FX<sub>1S</sub> and FX<sub>0N</sub> data transfer is performed for 50 auxiliary relays and 10 data registers.

For a system configuration refer to Subsection 1.2.2, specifications refer to chapter 3, wiring refer to chapter 2, the setting and example program refer to chapter 5, diagnostics refer to chapter 12.

3) Computer link (Data transfer using dedicated protocol)

Data transfer with RS485 (422) units can be performed on a 1:n (16) basis using the dedicated protocol.

For system configuration refer to subsection 1.2.3, specifications refer to chapter 3, wiring refer to chapter 2, setting of communication format refer to chapter 6, dedicated protocol refer to chapter 7 & 8, diagnostics refer to chapter 12.

4) No protocol communication (Data transfer using RS instruction)

Data communication with a diversified RS232C unit including personal computers, bar code readers and printers can be performed using no protocol communications.

This communication uses RS instruction's or an FX<sub>2N</sub>-232IF special function block.

For system configuration refer to subsection 1.2.3, specifications refer to chapter 3, wiring refer to chapter 2, setting of communication format, RS instruction and example program refer to chapter 6 and 9, diagnostics refer to chapter 12.

When using the RS instruction, for setting the communication format refer to chapter 6, for the RS instruction and example program please refer to chapter 9. Or when using an FX<sub>2N</sub>-232IF, for setting and example program please refer to chapter 10.

5) Optional programming port

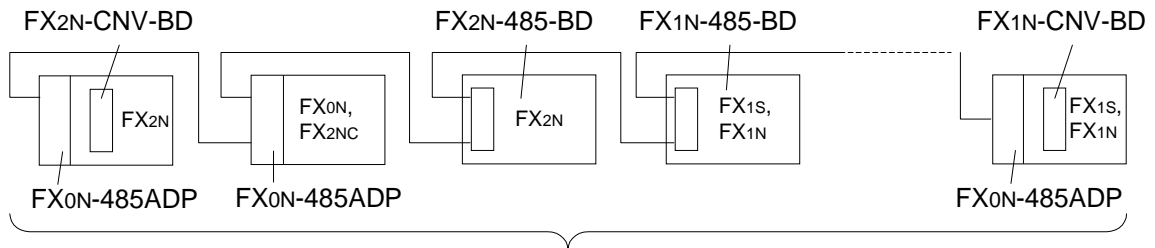
The port can support a programming protocol, if connected to an FX<sub>2N</sub>-232-BD, FX<sub>0N</sub>-32ADP, FX<sub>1N</sub>-232-BD, FX<sub>2N</sub>-422-BD and FX<sub>1N</sub>-422-BD for FX<sub>2N</sub>, FX<sub>2NC</sub>, FX<sub>1N</sub>, FX<sub>1S</sub> Series programmable controller.

For notes on use, refer to chapter 11, diagnostics refer to chapter 12.

## 1.2 System Configuration

For programming protocol refer to chapter 11.

### 1.2.1 N:N Network



When not using FX2N-485-BD or FX1N-485-BD in the system, total extension distance Max. 500m.  
 (Use : Max. 50m)  
 Total station of this network is Max. 8 stations.

### 1.2.2 Parallel Link



1) FX2N, FX2NC (Shielded twisted-pair cable)

①, ②	Using interface	Extension distance
FX2N	FX2N-485-BD	Max. 50 m
	FX2N-CNV-BD + FX0N-485ADP	Max. 500 m <sup>*1</sup>
FX2NC	FX0N-485ADP	

<sup>\*1</sup> When including FX2N-485-BD in system configuration, total extension distance max 50m.

2) FX1N (Shielded twisted-pair cable)

①, ②	Using interface	Extension distance
FX1N	FX1N-485-BD	Max. 50 m
	FX1N-CNV-BD + FX0N-485ADP	Max. 500 m <sup>*2</sup>

<sup>\*2</sup> When including FX1N-485-BD in system configuration, total extension distance max 50m.

3) FX1s (Shielded twisted-pair cable)

①, ②	Using interface	Extension distance
FX1s	FX1N-485-BD	Max. 50 m
	FX1N-CNV-BD + FX0N-485ADP	Max. 500 m <sup>*3</sup>

<sup>\*3</sup> When including FX1N-485-BD in system configuration, total extension distance max 50m.

4) FX0N (Shielded twisted-pair cable)

①, ②	Using interface	Extension distance
FX0N	FX0N-485ADP	Max. 500 m

5 ) FX, FX2c (Shielded twisted-pair cable and glassfiber cable)

①, ②	Using interface	Extension distance
FX2, FX2C	FX2-40AW (Shielded twisted-pair cable)	Max. 10 m
	FX2-40AP (Glassfiber cable)	Max. 50 m



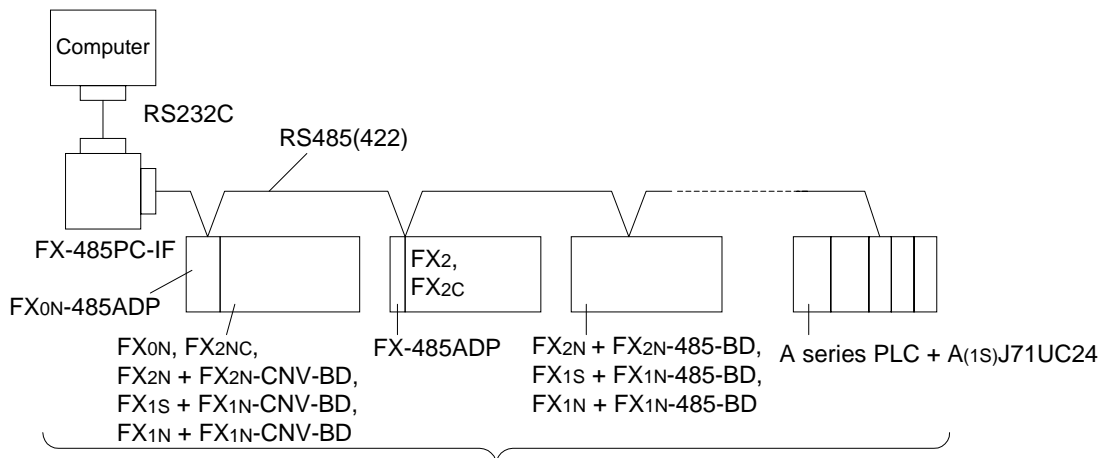
**Note;**

Parallel link is possible between the same series PLC's, or between other series in the same group. However, parallel link between each group cannot be achieved. Group's are separated as follows.

Group No.	Series
Group 1	FX2N, FX2NC
Group 2	FX1N
Group 3	FX1S
Group 4	FX0N
Group 5	FX, FX2C

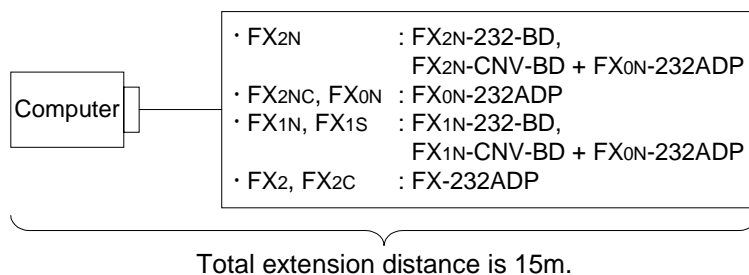
**1.2.3 Computer Link**

1) Use RS485



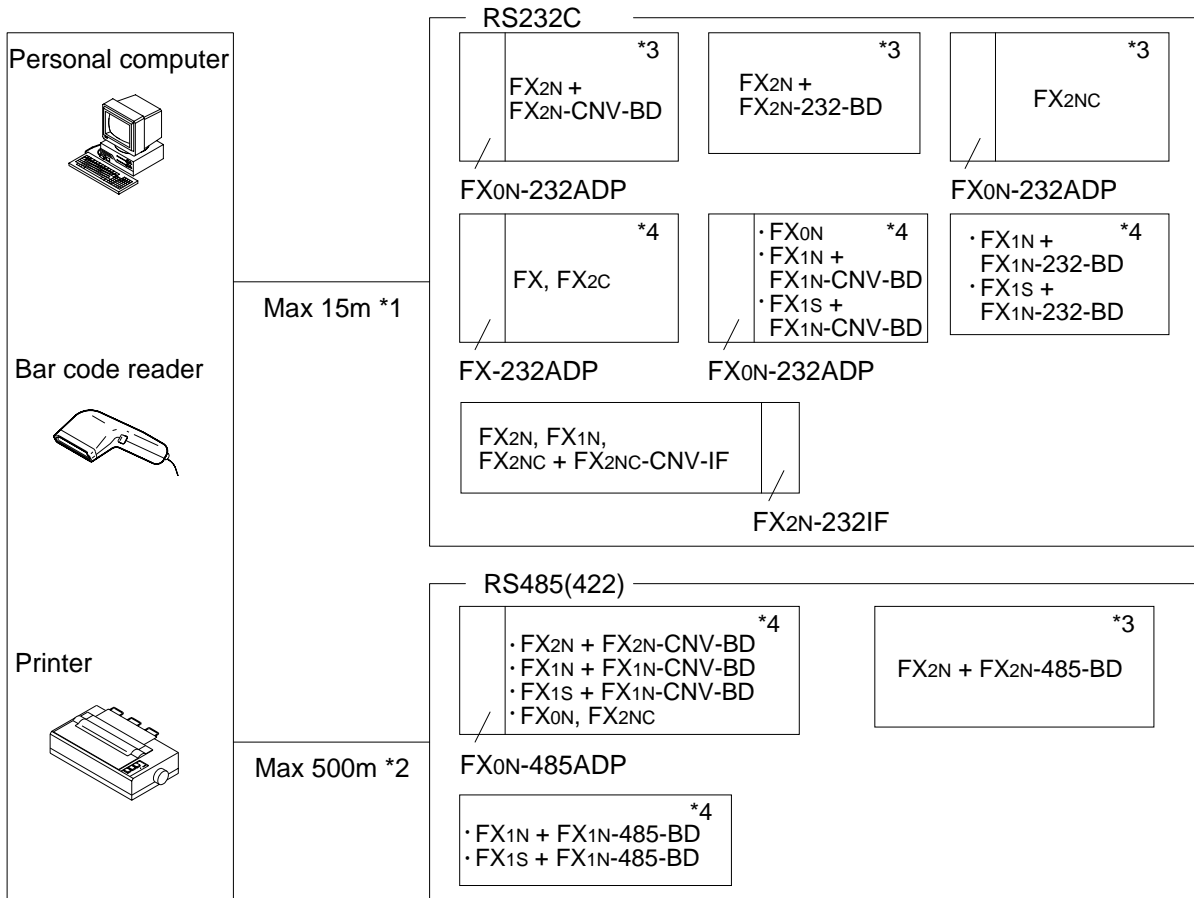
When not using FX2N-485-BD or FX1N-485-BD in the system, total extension distance is Max. 500m. (Use : Max. 50m)  
 Total station of this network is Max. 16 stations.

2) Use RS232C



Total extension distance is 15m.

### 1.2.4 No Protocol Communication



- \*1 RS485/RS232C signal convertor becomes necessary for a case of RS485 interface for computer connection.
- \*2 When using FX1N-485-BD, FX2N-485-BD in system, total extension distance max 50m. But, RS485/RS232C signal convertor become necessary for a case of RS232C interface for computer connection.
- \*3 This system configuration can achieve full-duplex communication or the half-duplex communication.
- \*4 This system configuration achieve only half-duplex communication.

## 1.3 Supporting Function and Version

Items		FX2N, FX2NC	FX1N, FX1S	FX0N	FX, FX2c
N:N network		All versions	All versions	V2.00 or more	No sport
Parallel link				All versions	All versions
Computer link				V1.20 or more	V3.30 or more
No protocol communication	Use RS instruction			All versions	V3.00 or more
	Use FX2N-232IF	Not supported.			



1	Introduction
2	Wiring
3	Specifications
4	N:N network
5	Parallel link
6	Communication format (D8120)
7	Computer link
8	Commands (for computer link)
9	RS instruction
10	FX <sub>2</sub> N-232IF
11	Optional programming port
12	Diagnostics
A	Further Information Manual List
B	ASCII code Lists



## 2. Wiring

For the terminal layout when using a communication unit, refer to the individual units manual.

### 2.1 Caution

#### 2.1.1 Common



1 ) This system is designed to read and write data (forced on/off) while the programmable controller is running.

If abnormal data is written into the programmable controller, due to effects of noise, the programmable controller may malfunction and cause machine trouble or an accident. Therefore, observe the following cautions.

- Do not lay signal cables near high voltage power cables or put them in the same trunking duct.  
Otherwise effects of noise or surge induction are likely to take place. Keep a safe distance of more than 100 mm from these wires.
- Ground the shield wire or shield of a shielded cable at one point on the programmable controller. Do not, however, ground at the same point as high voltage lines.



2 ) Cut off phases of power source externally, before installation or wiring work in order to avoid electric shock or damage of product.

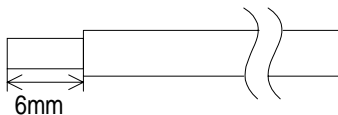


3 ) Replace the provided terminal cover before supplying power and operating the unit after installation or wiring work in order to avoid electric shock.

#### 2.1.2 FX2N-485-BD



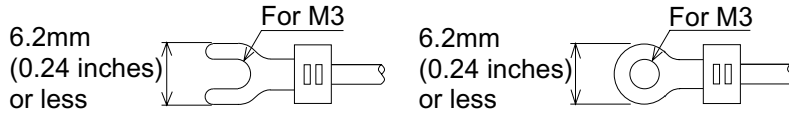
To connect the RS485(422) unit, use a shielded twist-pair cable. The cable model must be AWG 26 to 16, and the maximum tightening torque must be 0.6 N·m (6 kgf·cm). If a cable other than the AWG 26 to 16 is used, normal communication cannot be assured because the terminal may be imperfectly contacted. It is recommended to insert a cable integrated by a crimping tool into the terminal.



**2.1.3 FX<sub>0N</sub>-485ADP**



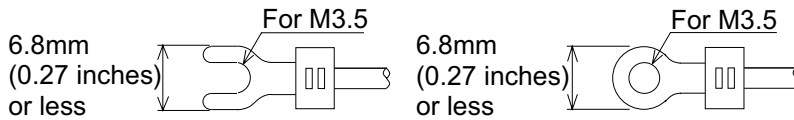
- 1) The terminal screws of the FX<sub>0N</sub>-485ADP are M3 screws and therefore the crimp style terminal (see drawing) suitable for use with these screws should be fitted to the cable for wiring.



- 2) The terminal tightening torque is 0.5 to 0.8 N·m (5 to 8 kgf·cm), tighten securely to avoid malfunction.

**2.1.4 FX<sub>2</sub>-40AW**

- 1) The terminal screws for the terminal block of the FX<sub>2</sub>-40AW are M3.5 screws and therefore the crimp style terminal (see drawing) suitable for use with these screws should be fitted to the cable for wiring.



- 2) The terminal tightening torque is 0.5 to 0.8 N·m (5 to 8 kgf·cm), tighten securely to avoid malfunction.

## 2.2 Using RS232C Interface

Below is a typical wiring example. Please wire similar to the following pin name, when a pin number on the side of a counterpart machine differs.

### 2.2.1 Using RS Instruction or Computer Link

#### 1) Terminal specification device

Programmable Controller Side				RS-232C Device Side					
Signal name	FX2N-232-BD FX1N-232-BD	FX0N-232ADP	FX-232ADP	Signal name	Uses CS, RS		Signal name	Uses DR, ER	
					9-pin D-SUB	25-pin D-SUB		9-pin D-SUB	25-pin D-SUB
FG	-		1	FG	-	1	FG	-	1
RD (RXD)	2		3	RD (RXD)	2	3	RD (RXD)	2	3
SD (TXD)	3		2	SD (TXD)	3	2	SD (TXD)	3	2
ER (DTR)	4		20	RS RTS	7	4	ER (DTR)	4	20
SG (GND)	5		7	SG (GND)	5	7	SG (GND)	5	7
DR (DSR)	6		6	CS (CTS)	8	5	DR (DSR)	6	6

Note;

When using ER and DR signals, please also check if RS and CS signals are needed according to the RS232C device specifications.

#### 2) Modem specification device

Programmable Controller Side				RS-232C Device Side					
Signal name	FX2N-232-BD FX1N-232-BD	FX0N-232ADP	FX-232ADP	Signal name	Uses CS, RS		Signal name	Uses DR, ER	
					9-pin D-SUB	25-pin D-SUB		9-pin D-SUB	25-pin D-SUB
FG	-		1	FG	-	1	FG	-	1
CD (DCD)	1	-	8	CD (DCD)	1	8	FG	1	8
RD (RXD)	2		3	RD (RXD)	2	3	RD (RXD)	2	3
SD (TXD)	3		2	SD (TXD)	3	2	SD (TXD)	3	2
ER (DTR)	4		20	RS RTS	7	4	ER (DTR)	4	20
SG (GND)	5		7	SG (GND)	5	7	SG (GND)	5	7
DR (DSR)	6		6	CS (CTS)	8	5	DR (DSR)	6	6

Note;

The FX0N-232ADP does not monitor the CD pin (pin8).

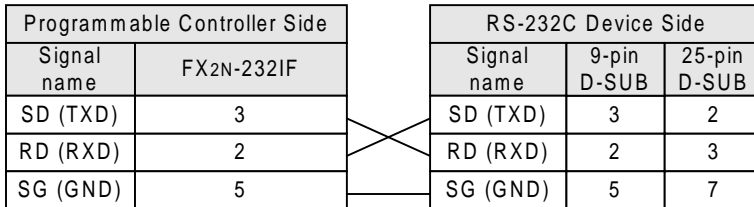
#### 3) Computer link

Please refer to 2.2.1 1) for wiring.

2.2.2 Using FX2N-232IF

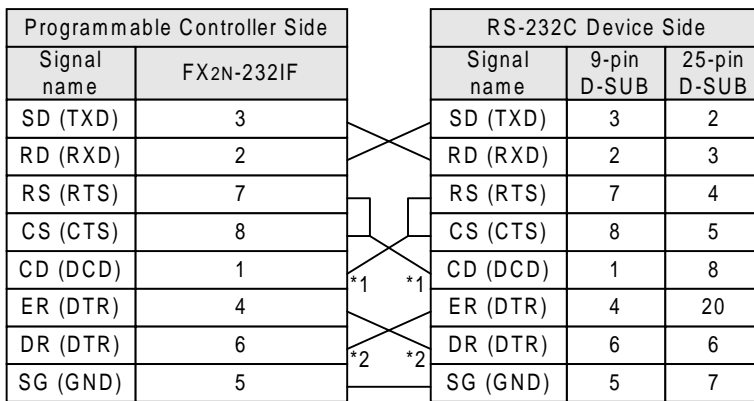
The signal wiring of the RS232C equipment varies depending on the RS232C connection specifications. Check the specifications of the RS232C equipment used, then connect the signals correctly. Representative wiring examples are shown below.

- 1) Terminal specification device (No control line)  
 Setting communication format (BFM #0); b9=0, b8=0



Communication is performed in accordance with the condition determined by the software in the FX2N-232IF and the counterpart equipment.

- 2) Terminal specification device (Use control line)
  - a) Standard RS232C mode (Use cross cable)  
 Setting communication format (BFM #0); b9=0, b8=1



As the carrier to send (CS) signal pin of the FX2N-232IF itself receives the request to send (RS) signal, signal transfer is performed as if the counterpart equipment is functioning.

\*1 When the CD signal is not monitored, the CD signal pin is not required to be connected. With regard to the CD signal, the FX2N-232IF only indicates the status.

\*2 The FX2N-232IF only indicates the status.

b) Interlink connection mode (Use interlink serial cross cable)  
 Setting connection format (BFM #0); b9=1, b8=1

Programmable Controller Side		RS-232C Device Side		
Signal name	FX2N-232IF	Signal name	9-pin D-SUB	25-pin D-SUB
SD (TXD)	3	SD (TXD)	3	2
RD (RXD)	2	RD (RXD)	2	3
RS (RTS)	7	RS (RTS)	7	4
CS (CTS)	8	CS (CTS)	8	5
ER (DTR)	4	ER (DTR)	4	20
DR (DTR)	6	DR (DTR)	6	6
SG (GND)	5	SG (GND)	5	7

Connections: SD (TXD) to RD (RXD), RD (RXD) to SD (TXD), RS (RTS) to CS (CTS), CS (CTS) to RS (RTS). \*1 is between CS (CTS) and RS (RTS) on the device side. \*2 is between ER (DTR) and DR (DTR) on the device side.

In the interlink connection mode, data exceeding 512 bytes (upper limit of the receive buffer in the FX2N-232IF) can be received.

\*1 The FX2N-232IF only indicates the status.

\*2 In this mode, the request to send (RS) signal functions as the signal to enable receive in the FX2N-232IF. When receiving data exceeding 512 bytes, the FX2N-232IF sets the request to send (RS) signal to "OFF" and requests the counterpart equipment to suspend the send operation. When the data saved in the receive buffers is read by the sequence program, the remaining data can be received.

3) Modem specification device  
 Standard RS232C mode (Using straight cable)  
 Setting communication format (BFM #0); b9=0, b8=1

Programmable Controller Side		RS-232C Device Side		
Signal name	FX2N-232IF	Signal name	9-pin D-SUB	25-pin D-SUB
SD (TXD)	3	SD (TXD)	3	2
RD (RXD)	2	RD (RXD)	2	3
RS (RTS)	7	RS (RTS)	7	4
CS (CTS)	8	CS (CTS)	8	5
CD (DCD)	1	CD (DCD)	1	8
ER (DTR)	4	ER (DTR)	4	20
DR (DTR)	6	DR (DTR)	6	6
SG (GND)	5	SG (GND)	5	7
CI (RI)	9	CI (RI)	9	22

Connections: SD (TXD) to SD (TXD), RD (RXD) to RD (RXD), RS (RTS) to RS (RTS), CS (CTS) to CS (CTS), CD (DCD) to CD (DCD), ER (DTR) to ER (DTR), DR (DTR) to DR (DTR), SG (GND) to SG (GND), CI (RI) to CI (RI). \*1 is between CD (DCD) and CI (RI) on the device side. \*2 is between ER (DTR) and DR (DTR) on the device side. \*3 is between CI (RI) and CD (DCD) on the device side.

\*1 The FX2N-232IF indicates the status exclusively.

\*2 When the CD signal is not monitored, the CD signal pin is not required to be connected. With regard to the CD signal, the FX2N-232IF indicates the status exclusively.

\*3 When the CI signal is not required, the CI signal pin is not required to be connected. With regard to the CI signal, the FX2N-232IF indicates the status exclusively.

## 2.3 Using RS485 Interface

### 2.3.1 Selection of Wiring

The wiring of RS485 can either be one-pair wiring or two-pair wiring. The wiring method is decided according to the usage. Please select the wiring method from the table below.

Usage		One-pair wiring	Two-pair wiring
No protocol (Use RS instruction) *1	Half-duplex communication	●*2	○
	Full-duplex communication *3	×	○
Dedicated protocol (Use computer link)*1	It is necessary to set the message wait in 70 ms or less.	×	○
	It is not necessary to set the message wait in 70 ms or less.	●*2	○
	Use on-demand function	×	○
Parallel link *4		●	○
N:N network		○	×

●...Recommendation, ○...OK, ×...Can not use

\*1 When this product is added to the system, please match the wiring to the existing method of the system.

\*2 When using FX<sub>2N</sub>-485-BD with this wiring method, remember to take account of/or ignore the “echo” of the commands sent from the FX<sub>2N</sub> programmable controller.

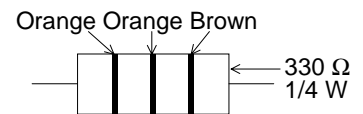
\*3 Please use FX<sub>2N</sub> programmable controller and FX<sub>2N</sub>-485-BD together. Full-duplex the combination cannot be achieved in other configurations.

\*4 For wiring of parallel link, see section 2.4.

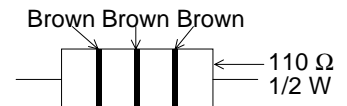
### 2.3.2 Terminal Resistor

A terminal resistor must be used at both ends of the communication line as described in section 2.3.3 and 2.3.4.

1) In the case of two-pair wiring, connect the terminal resistor (330Ω, 1/4W) between terminals SDA and SDB as well between terminals RDA and RDB. Use the resistors offered as accessories of the product.

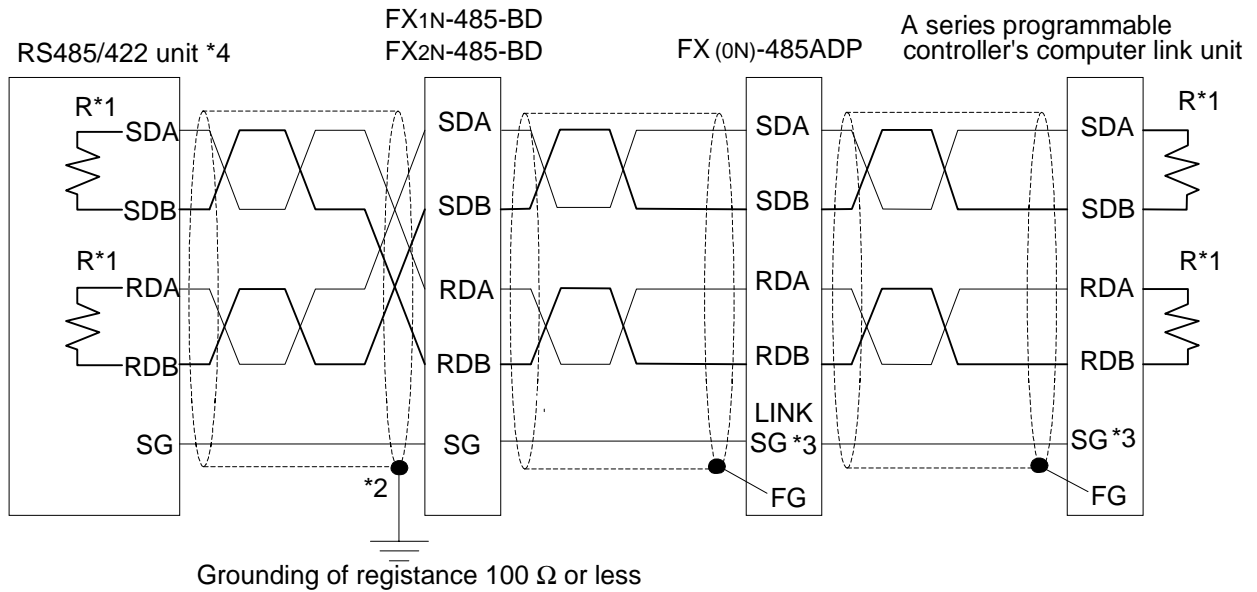


2) In the case of one-pair wiring, connect the terminal resistor (110Ω, 1/2W) between terminals RDA and RDB. Use the resistors offered as accessories of the product.





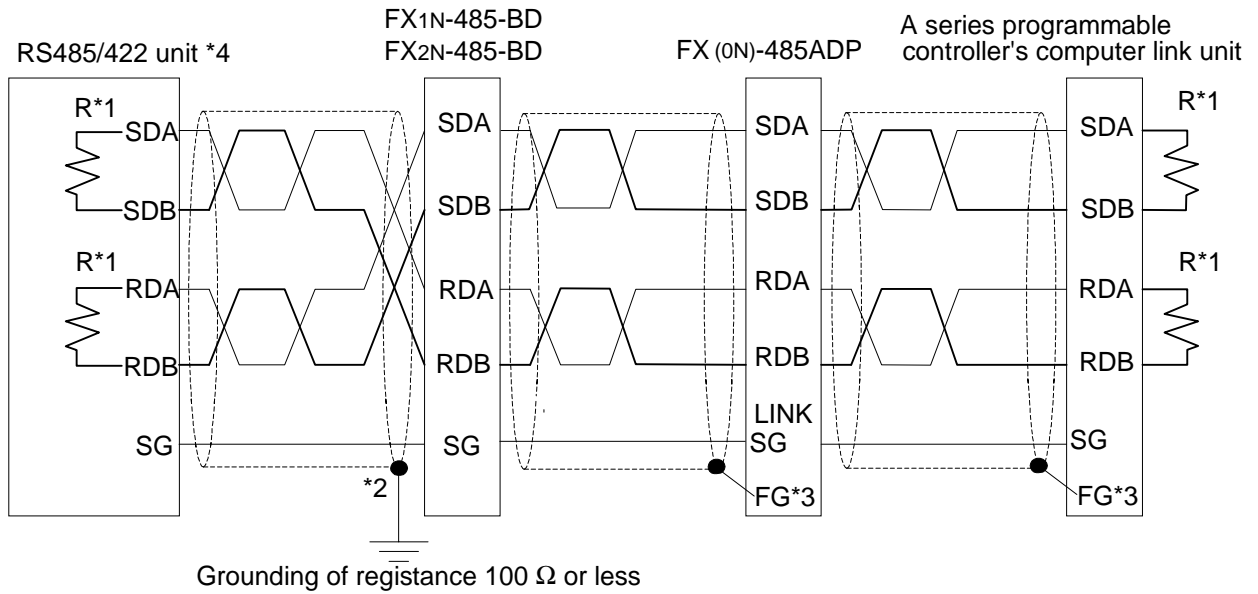
2.3.3 One-pair Wiring



2

- \*1 R is the terminating resistor. Connect the terminating resistor (110Ω) between terminals SDA and SDB.
- \*2 Connect the shield of the FX<sub>2N</sub>-485-BD, FX<sub>1N</sub>-485-BD using shielded twist-pair cable to ground (100Ω or less). Please adjust the grounding only to one side.
- \*3 Connect terminal FG to each terminal of the programmable controller body, grounded with resistance of 100Ω or less. However, for the computer link unit of the A series programmable controller, see the manual of the computer link unit.
- \*4 If an RS485/232 adapter is required, please use the FX-485-PC-IF. When using the FX-485PC-IF with this wiring method, either take account for or ignore the “echo” of the commands sent by the computer.

2.3.4 Two-pair Wiring

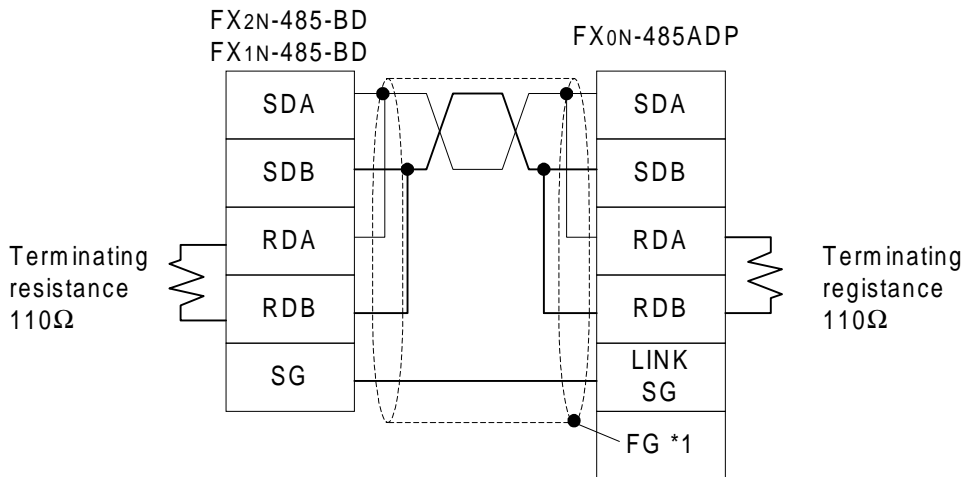


- \*1 R is the terminating resistor. Connect the terminating resistor (330Ω) between terminals SDA and SDB, and terminals RDA and RDB.
- \*2 Connect the shield of FX2N-485-BD, FX1N-485-BD using shielded twist-pair cable to ground (100Ω or less). Please adjust the grounding only to one side.
- \*3 Connect terminal FG to each terminal of the programmable controller main body grounded with resistance of 100Ω or less. However, as for the computer link unit of the A series programmable controller, see the manual of the computer link unit.
- \*4 When using RS232/485 or RS232/422 adapter, please the adapter use FX-485PC-IF.

## 2.4 Parallel Link

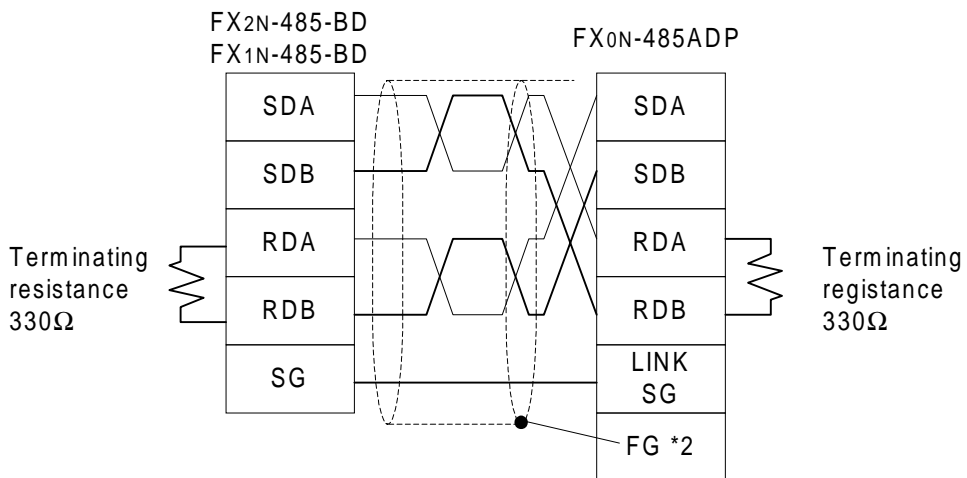
### 2.4.1 FX<sub>2N(1N)</sub>-485-BD and FX<sub>0N</sub>-485ADP

#### 1) One-pair Wiring



\*1 Connect terminal FG to each terminal of the programmable controller main body, grounded with resistance of 100Ω or less.

#### 2) Two-pair Wiring

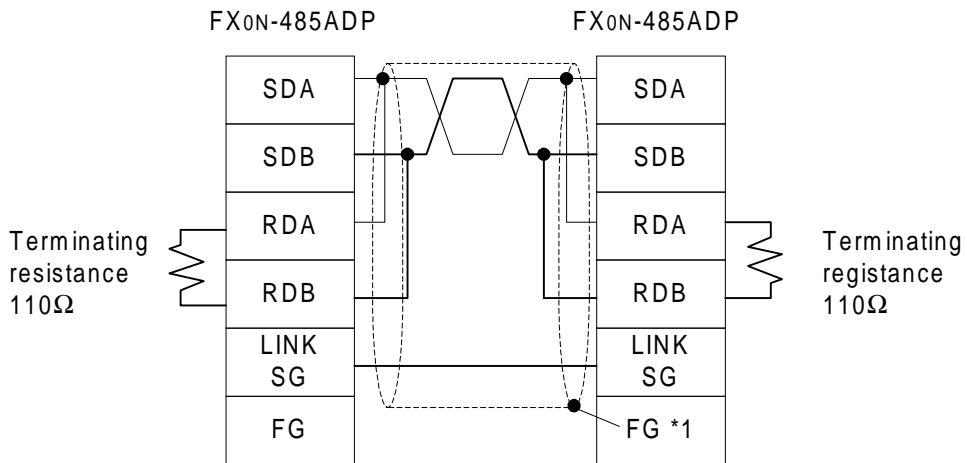


\*2 Connect terminal FG to each terminal of the programmable controller main body, grounded with resistance of 100Ω or less.

2

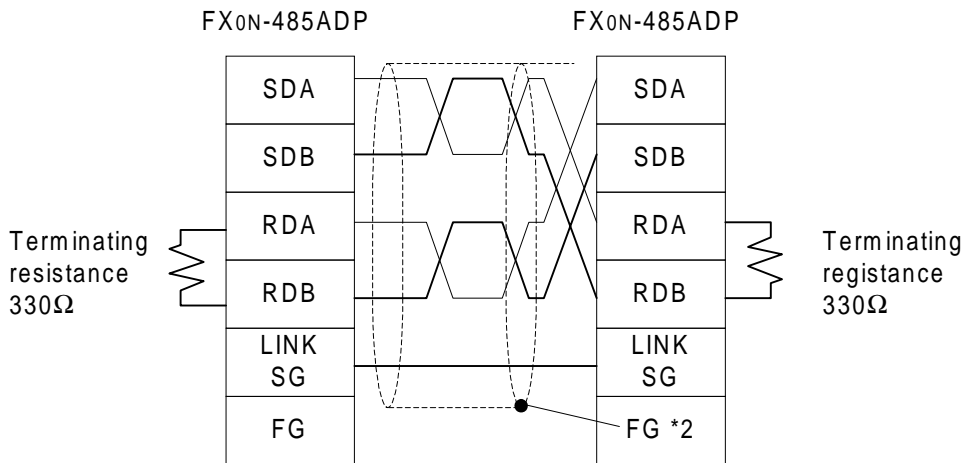
2.4.2 Only FX<sub>0N</sub>-485ADP

1) One-pair Wiring



\*1 Connect terminal FG to each terminal of the programmable controller main body, grounded with resistance of 100Ω or less.

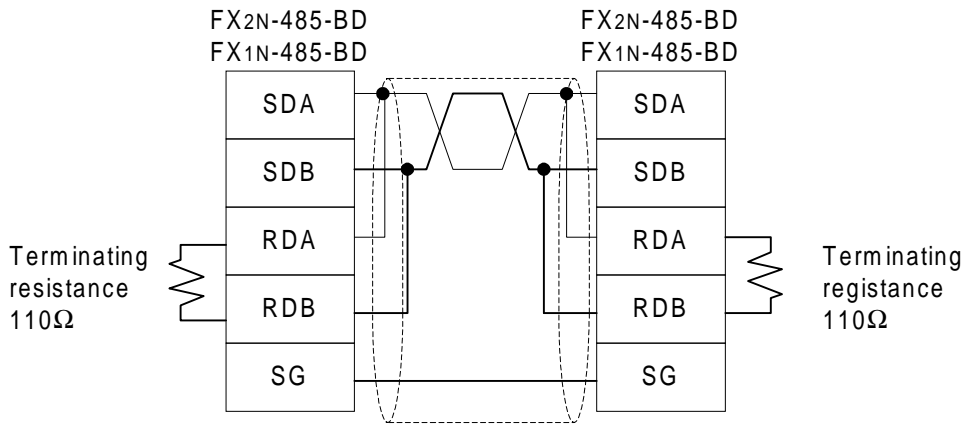
2) Two-pair Wiring



\*2 Connect terminal FG to each terminal of the programmable controller main body, grounded with resistance of 100Ω or less.

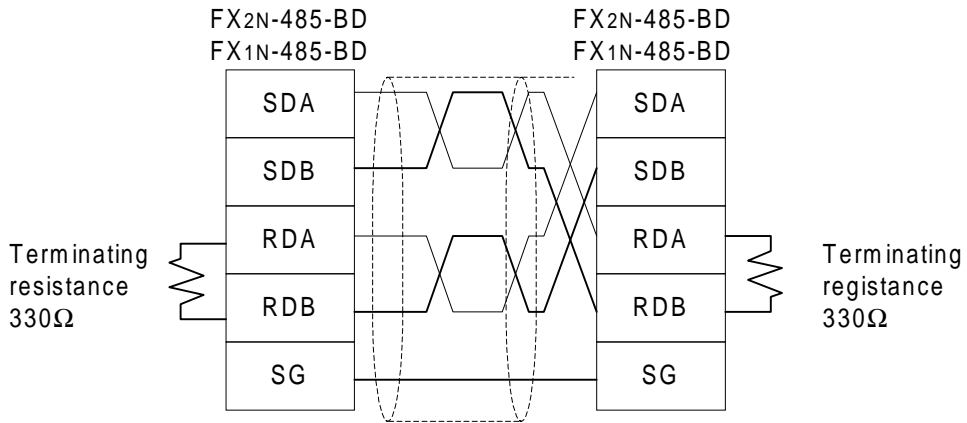
2.4.3 FX<sub>2N(1N)</sub>-485-BD and FX<sub>2N(1N)</sub>-485-BD

1) One-pair Wiring

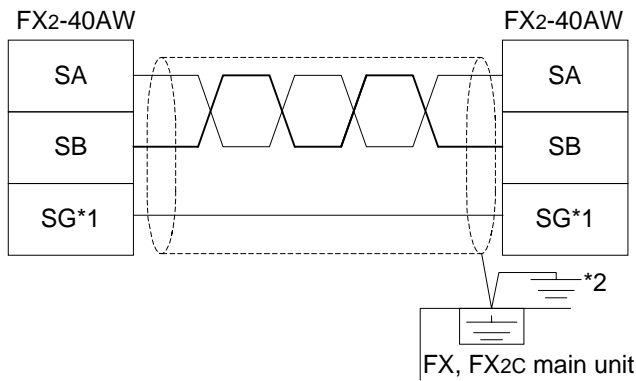



2

2) Two-pair Wiring

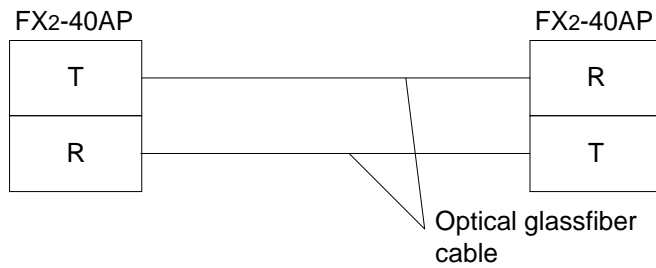


2.4.4 Only FX<sub>2</sub>-40AW



- \*1 SG Terminal of FX<sub>2</sub>-40AW connect to SG terminal of FX or FX<sub>2</sub>C main unit.
- \*2 Please connect the shield of shielded twist pair cable with  terminal to which the programmable controller main unit is grounded. Please adjust the grounding only to one side.

2.4.5 FX<sub>2</sub>-40AP



**Note;**

- Keep optical fibers away from wire cables carrying high loads. Including where the cables are terminated.

1	Introduction
2	Wiring
3	Specifications
4	N:N network
5	Parallel link
6	Communication format (D8120)
7	Computer link
8	Commands (for computer link)
9	RS instruction
10	FX <sub>2</sub> N-232IF
11	Optional programming port
12	Diagnostics
A	Further Information Manual List
B	ASCII code Lists





## 3. Specifications

### 3.1 Specifications of Communication

	N:N network	Parallel link	Computer link (dedicated protocol)	No protocol communication
Transmission standard	Conforming to RS485	Conforming to RS485 and RS422	Conforming to RS485 and RS422 or RS232C	
Transmission distance	Max. 500m		RS485(RS422): Max. 500m RS232C: Max. 15m	
Connected the number	Total station is Max. 8 stations	1:1	1:N (N is Max. 16 stations)	RS232C:1:1 RS485:1:N *1
Communication method	Half-duplex communication			FX, FX2C, FX0N, FX1N, FX1S : half-duplex communication FX2N, FX2NC*2: full-duplex communication
Data length	Fixation		7 bit / 8 bit	
Parity			None / Odd / Even	
Stop bit			1 bit / 2bit	
Baud rate (bps)	38,400	19,200	300/600/1,200/2,400/4,800/9,600/19,200	
Header character	Fixation			None / effective
Terminator character				
Control line	—			None
Protocol	—		Format 1 / Format 4	
Sum check	Fixation		None / effective	
Supported programmable controller	FX2N, FX2NC, FX1N, FX1S, FX0N	FX2N, FX2NC, FX1N, FX1S, FX0N, FX FX2C		

\*1 FX2N, FX2NC, FX1N, FX1S and FX0N supported.

\*2 If using FX0N-485ADP, this system is half-duplex.

## 3.2 Communication Time

### 3.2.1 N:N network

		Communication device		
		Pattern 0 Bit device: 0 point Word device: 4 points	Pattern 1 Bit device: 32 points Word device: 4 points	Pattern 2 Bit device: 64 points Word device: 8 points
Total station number	2	18	22	34
	3	26	32	50
	4	33	42	66
	5	41	52	83
	6	49	62	99
	7	57	72	115
	8	65	82	131



**Note;**

If N:N network is used, the scan time of each station programmable controller becomes about 10 percent longer regardless of the number of link station or using communication device pattern.

### 3.2.2 Parallel link

Normal Mode	70 for reciprocation + Operation cycle of master station + Operation cycle of slave station (ms)
High speed mode	20 for reciprocation + Operation cycle of master station + Operation cycle of slave station (ms)

### 3.2.3 Computer link

Calculations to determine the approximate time until communication is complete.

#### 1) Programmable controller → Computer

$$\begin{aligned} \text{Communication time} &= \text{Number of total characters based on dedicated protocol}^{*1} \\ &\quad \times \text{Time to send or receive one character (ms)}^{*2} \\ &\quad + \text{Programmable controller's maximum scan time (ms)} \times 3 \\ &\quad + \text{Message wait (ms)} \end{aligned}$$

#### 2) Computer → Programmable controller

$$\begin{aligned} \text{Communication time} &= \text{Number of total characters based on dedicated protocol}^{*1} \\ &\quad \times \text{Time to send or receive one character (ms)}^{*2} \\ &\quad + \text{Programmable controller's maximum scan time (ms)} \\ &\quad + \text{Message wait (ms)} \end{aligned}$$

\*1 Please count the number of characters referring to section 7.4.1 and 7.4.2 and chapter 8.

\*2 Please refer to the following expression for the method of calculating this time.

$$\begin{aligned} \text{Time to send or receive one character} &= 1/\text{baud rate} \times \text{number of bits in character} \\ &\quad (\text{start bit}(1) + \text{Data length}(7 \text{ or } 8) + \text{Parity bit}(0 \text{ or } 1) + \text{Stop bit}(1 \text{ or } 2)) \end{aligned}$$

#### **Example**

When 1 character = 10 bits (Data length = 7, Parity bit = 1, stop bit = 1 start bit = 1), this time is as follows.

Baud rate (bps)	Time to send or receive one character (ms)
300	33.34
600	16.67
1200	8.34
2400	4.17
4800	2.08
9600	1.04
19200	0.52

#### **Note;**

Please refer to following table for the relation between reading word points and communication time.

“Message time = 0ms, Maximum scan time = 20ms, Dedicated protocol format = format 1, Command = WR, Baud rate = 9,600 or 19,200 bps”

Reading word points	Baud rate (bps)	
	9,600	19,200
10	0.3 s	0.2 s
32	0.4 s	0.3 s
64	0.5 s	0.4 s

# MEMO

1	Introduction
2	Wiring
3	Specifications
4	N:N network
5	Parallel link
6	Communication format (D8120)
7	Computer link
8	Commands (for computer link)
9	RS instruction
10	FX <sub>2</sub> N-232IF
11	Optional programming port
12	Diagnostics
A	Further Information Manual List
B	ASCII code Lists





4.1.2 Data Registers

Attribute	Auxiliary relays		Name	Description	Response type
	FX <sub>0N</sub> , FX <sub>1S</sub>	FX <sub>1N</sub> , FX <sub>2N</sub> , FX <sub>2NC</sub>			
R	D8173		Station No.	Saves its own station No.	M, L
R	D8174		Total number of slave stations	Saves total number of slave stations	M, L
R	D8175		Refresh range	Saves refresh range	M, L
W	D8176		Station number setting	Sets its own station No.	M, L
W	D8177		Total slave station number setting	Sets total number of slave stations	M
W	D8178		Refresh range setting	Sets refresh range	M
W/R	D8179		Retry count setting	Sets retry count	M
W/R	D8180		Comms time-out setting	Sets comms time-out	M
R	D201	D8201	Current network scan time	Saves current network scan time	M, L
R	D202	D8202	Maximum network scan time	Saves maximum network scan time	M, L
R	D203	D8203	Number of communication error at master station	Number of communication error at master station *1	L
R	D204 to D210 *2	D8204 to D8210 *3	Number of communication error at slave station	Number of communication error at slave station *1	M, L
R	D211	D8211	Code of communication error at master station	Code of communication error at master station *1	L
R	D212 to D218 *2	D8212 to D8218 *3	Code of communication error at slave station	Code of communication error at slave station *1	M, L
—	D219 to D255	—	Not used	For internal processing	—

R : Ready only    W : Write only    M : Master station    L : Slave station

\*1 The number of communication errors occurred in its own station cannot be counted in the CPU error status, the program error status or the stop status.

\*2 No. in accordance with the slave station No.  
Slave station No.1 is D204, D212, slave station No.2 is D205, D213,  
... slave station No.7 is D210, D218.

\*3 No. in accordance with the slave station No.  
Slave station No.1 is D8204, D8212, slave station No.2 is D8205, D8213,  
... slave station No.7 is D8210, D8218.



**Note;**

- Devices M503-M511 and D201-D255 in the FX<sub>0N</sub> and FX<sub>1S</sub> cannot be applied for other usage in the user program. These devices are used by the N:N network.



## 4.2 Setting

Each settings for the N:N network become valid when the program is run or when the power of the programmable controller is turned on.

### 4.2.1 Setting the Station No. (D8176)

Set a value 0 to 7 to the special data register D8176.

Set value	Description
0	Master station
1 to 7	Slave station No. Example: 1 is slave station No.1, 2 is slave station No.2

### 4.2.2 Setting the Total Number of Slave Stations (D8177)

Set a value 1 to 7 to the special data register D8177. (Default = 7)  
This setting is not required for the slave station.

Set value	Description
1	1 slave station
2	2 slave stations
:	:
7	7 slave stations

### 4.2.3 Setting the Refresh Range (D8178)

Set a value 0 to 2 to the special data register D8178. (Default = 0)

This setting is not required for the slave station.

The devices used in each pattern are occupied by all the stations for the N:N network.

Communication device	Refresh range		
	Pattern 0 (FX <sub>0N</sub> , FX <sub>1S</sub> , FX <sub>1N</sub> , FX <sub>2N</sub> , FX <sub>2NC</sub> )	Pattern 1 (FX <sub>1N</sub> , FX <sub>2N</sub> , FX <sub>2NC</sub> )	Pattern 2 (FX <sub>1N</sub> , FX <sub>2N</sub> , FX <sub>2NC</sub> )
Bit device (M)	0 point	32 points	64 points
Word device (D)	4 points	4 points	8 points



**Note;**

- Please set the refresh range to pattern 0. When setting it other than pattern 0, all FX<sub>0N</sub> and FX<sub>1S</sub> series units in the system experience a communications error. In this case, please note that link time becomes long as the FX<sub>0N</sub> and FX<sub>1S</sub> communication error is occurring.

1) In the case of pattern 0 (FX<sub>0N</sub>, FX<sub>1S</sub>, FX<sub>1N</sub>, FX<sub>2N</sub>, FX<sub>2NC</sub>)

Station No.	Device No.	
	Bit device (M)	Word device (D)
	0 point	4 points
No.0	—	D0 to D3
No.1	—	D10 to D13
No.2	—	D20 to D23
No.3	—	D30 to D33
No.4	—	D40 to D43
No.5	—	D50 to D53
No.6	—	D60 to D63
No.7	—	D70 to D73

2) In the case of pattern 1 (FX<sub>1N</sub>, FX<sub>2N</sub>, FX<sub>2NC</sub>)

Station No.	Device No.	
	Bit device (M)	Word device (D)
	32 points	4 points
No.0	M1000 to M1031	D0 to D3
No.1	M1064 to M1095	D10 to D13
No.2	M1128 to M1159	D20 to D23
No.3	M1192 to M1223	D30 to D33
No.4	M1256 to M1287	D40 to D43
No.5	M1320 to M1351	D50 to D53
No.6	M1384 to M1415	D60 to D63
No.7	M1448 to M1479	D70 to D73

3) In the case of pattern 2 (FX<sub>1N</sub>, FX<sub>2N</sub>, FX<sub>2NC</sub>)

Station No.	Device No.	
	Bit device (M)	Word device (D)
	64 points	8 points
No.0	M1000 to M1063	D0 to D7
No.1	M1064 to M1127	D10 to D17
No.2	M1128 to M1191	D20 to D27
No.3	M1192 to M1255	D30 to D37
No.4	M1256 to M1319	D40 to D47
No.5	M1320 to M1383	D50 to D57
No.6	M1384 to M1447	D60 to D67
No.7	M1448 to M1511	D70 to D77

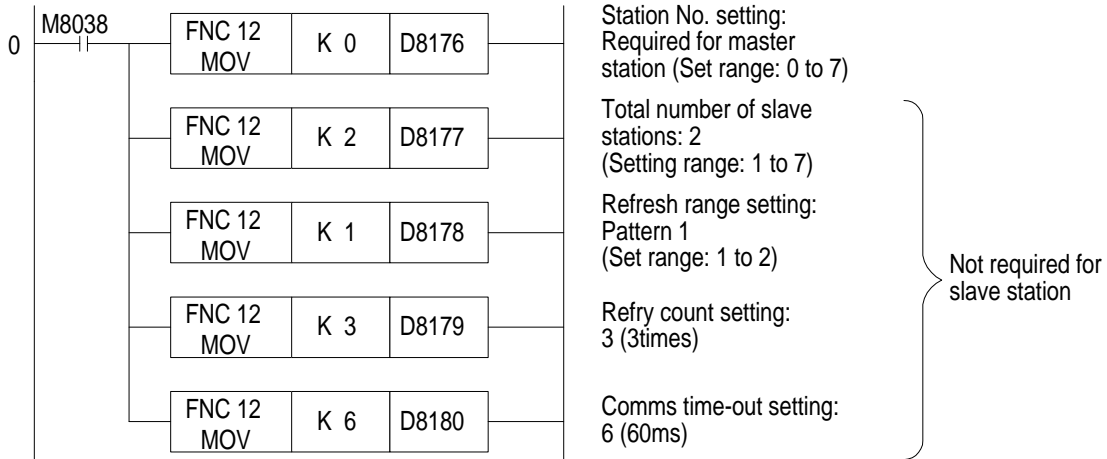
**4.2.4 Setting Retry Count (D8178)**

Set a value 0 to 10 to the special data register D8178. (Default = 3)  
 This setting is not required for the slave station.  
 If a master station tries to communicate with the slave station at this retry count (or over), communication error occur in the station.

**4.2.5 Setting Comms Time-out (D8179)**

Set value 5 to 255 to the special data register D8179. (Default = 5)  
 This value multiplied by 10(ms) is duration of the comms time-out.  
 Comms time-out is the communication dwell time between the master station and slave station.

4.2.6 Program Used for Setting



Make sure to write the program above from step 0 as the N:N network parameter setting program. This program does not require to be executed, because it becomes effective automatically when it is programmed in this position.

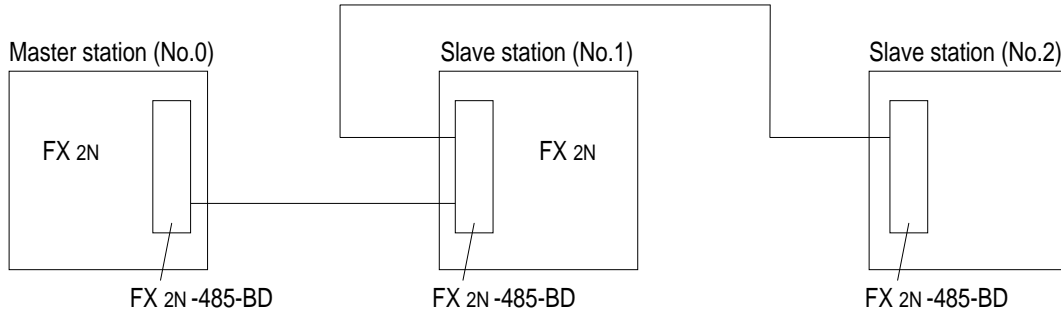


**Note;**

- Setting of the parameters for the N:N network is started at step 0 (LD M8038), and finished when any instruction or device other than the program above is processed.

## 4.3 Example Program

### 4.3.1 System Configuration



- Refresh range: 32 bit devices and 4 word devices (Pattern 1)
- Retry count: 3 times
- Comms time-out: 5 (50 ms)

### 4.3.2 Operations

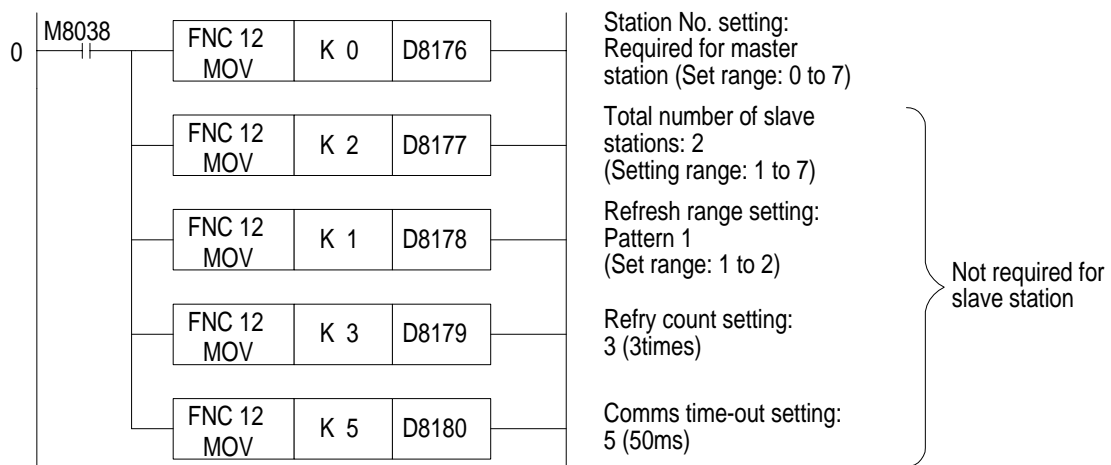
The following operations are performed in the system configuration above.

- 1) The input points X000 to X003 (M1000 to M1003) in the master station are output to the output points Y010 to Y013 in the stations Nos.1 and 2.
- 2) The input points X000 to X003 (M1064 to M1067) in the station No.1 are output to the output points Y014 to Y017 in the master station and the station No.2.
- 3) The input points X000 to X003 (M1128 to M1131) in the station No.2 are output to the output points Y020 to Y023 in the master station and the station No.1.
- 4) The data register D1 in the master station is specified as the set value of the counter C1 in the station No.1.  
The contact (M1070) status of the counter C1 is reflected on the output point Y005 in the master station.
- 5) The data register D2 in the master station is specified as the set value of the counter C2 in the station No.2.  
The contact (M1140) status of the counter C2 is reflected on the output point Y006 in the master station.
- 6) The value of the data register D10 in the station No.1 and the value of the data register D20 in the station No.2 are added in the master station, and saved to the data register D3.
- 7) The value of the data register D10 in the master station and the value of the data register D20 in the station No.2 are added in the station No.1, and saved to the data register D11.
- 8) The value of the data register D10 in the master station and the value of the data register D10 in the station No.1 are added in the station No.2, and saved to the data register D21.

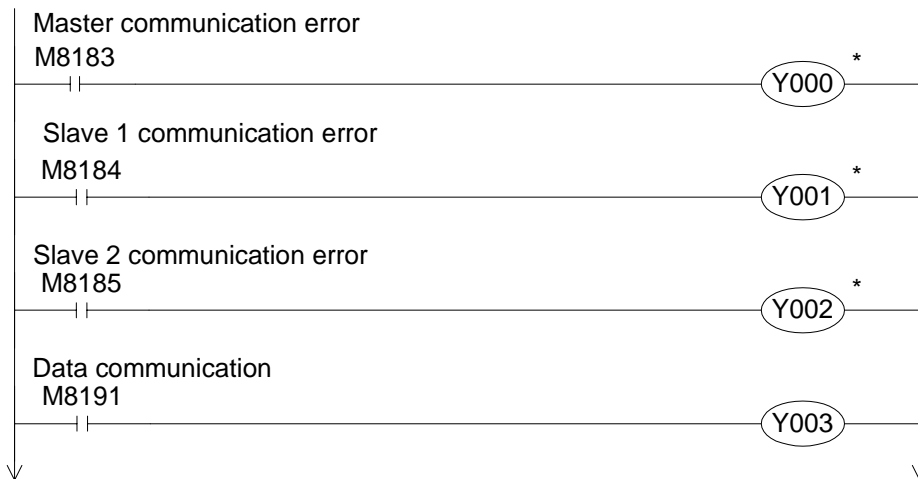
**4.3.3 Example of Setting Program**

For the setting program of the master station and the stations Nos.1 and 2, refer to the program below.

	Master station	Slave station No.1	Slave station No.2	Remarks
<b>D8176</b>	K0	K1	K2	Station No.
<b>D8177</b>	K2	—	—	Total slave station : 2 stations
<b>D8178</b>	K1	—	—	Refresh range : Pattern 1
<b>D8179</b>	K3	—	—	Retry count : 3 times (default)
<b>D8180</b>	K5	—	—	Comms time-out : 50 ms (default)



**4.3.4 Example of Error Program**

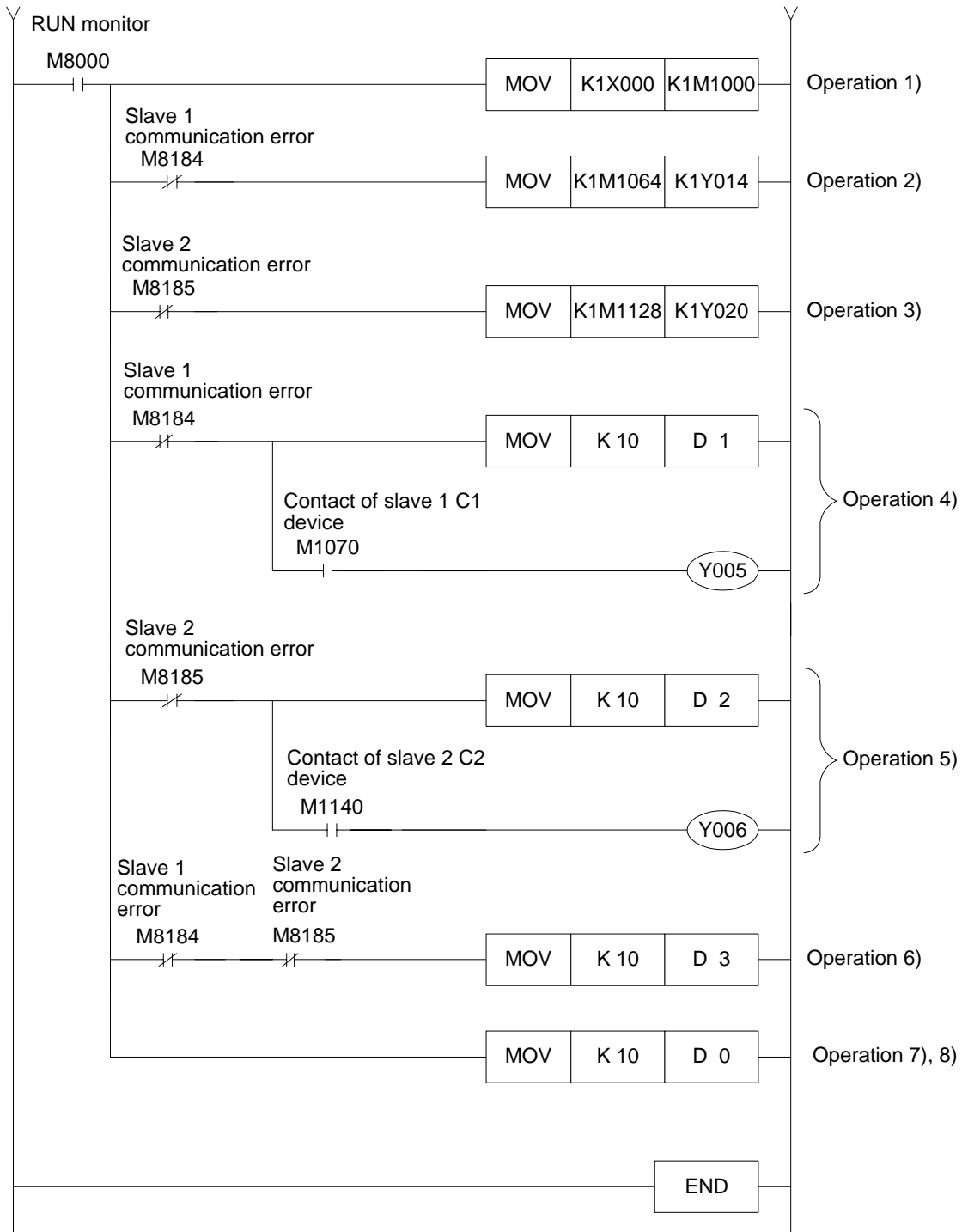


Continued to a), b) or c) in "4.3.5 Program".

\* A station cannot recognise its own error. An error program for each station is not necessary.

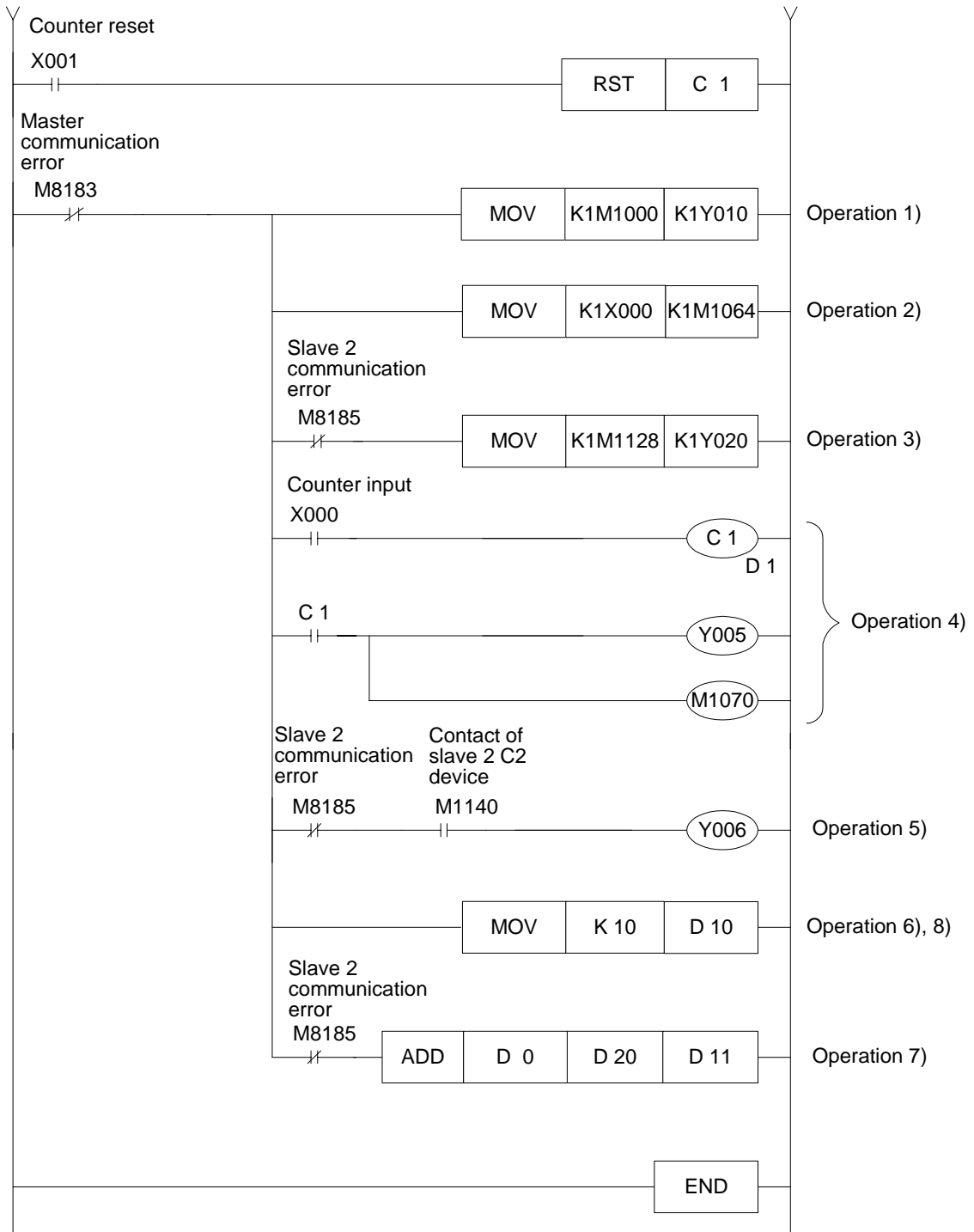
4.3.5 Example of Operation Program

a) Program of master station



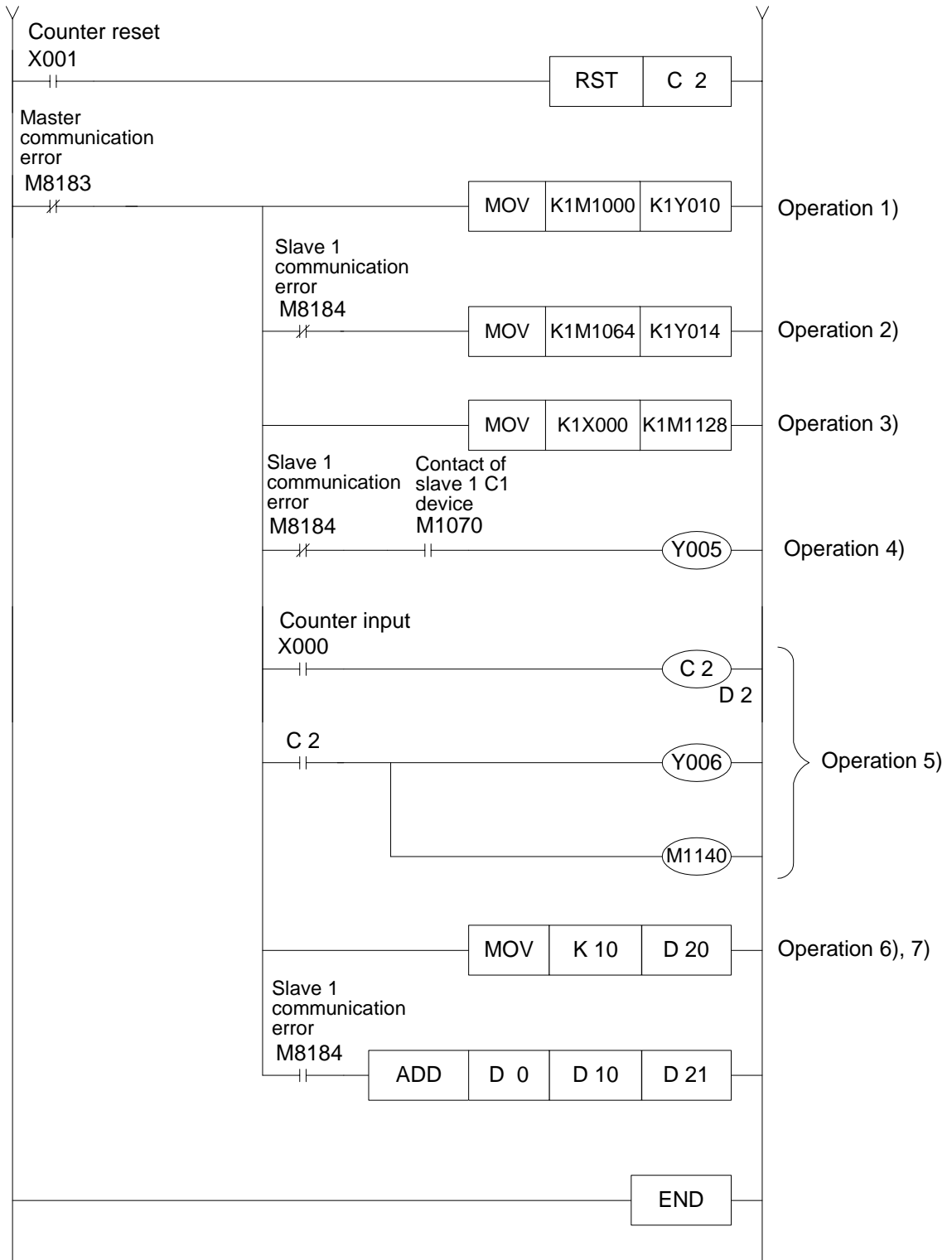
4

b) Program of slave station No.1





c) Program of slave station No.2



4

# MEMO

1	Introduction
2	Wiring
3	Specifications
4	N:N network
5	Parallel link
6	Communication format (D8120)
7	Computer link
8	Commands (for computer link)
9	RS instruction
10	FX <sub>2</sub> N-232IF
11	Optional programming port
12	Diagnostics
A	Further Information Manual List
B	ASCII code Lists



## 5. Parallel link

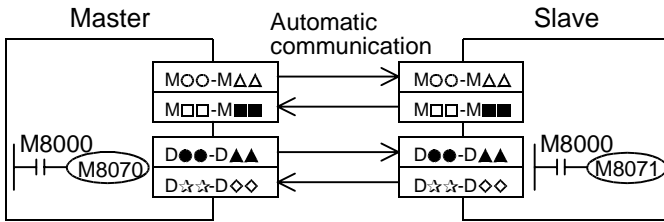
Data transfer with FX<sub>2N</sub>, FX<sub>2NC</sub>, FX<sub>1N</sub>, FX, FX<sub>2C</sub> programmable controllers can be performed on a 1:1 basis for 100 auxiliary relays and 10 data registers. Data transfer with FX<sub>1S</sub>, FX<sub>0N</sub> programmable controller can be performed on a 1:1 basis for 50 auxiliary relays and 10 data registers. For system configuration, refer to subsection 1.2.2.

### 5.1 Related Flags and Data Registers

Device	Operation
M8070	Driven when the programmable controller is a master station in a parallel link.
M8071	Driven when the programmable controller is a slave station in a parallel link.
M8072	ON while the programmable controller is operating in a parallel link.
M8073	ON when M8070/M8071 are incorrectly set during parallel link operations.
M8162	High speed mode for parallel link, 2 data words read/write only.
M8070	Parallel link watchdog time (Default: 500 ms).

## 5.2 Mode and Link Device

### 5.2.1 Normal Mode (Special auxiliary relay M8162: OFF)



		FX2N, FX2NC, FX1N, FX, FX2C	FX1S, FX0N
Communication devices	Master → Slave	M800 to M899 (100 points), D490 to D499 (10 points)	M400 to M449 (50 points), D230 to D239 (10 points)
	Slave → Master	M900 to M999 (100 points), D500 to D509 (10 points)	M450 to M499 (50 points), D240 to D249 (10 points)
Communication time		70 (ms) + Scan time of master (ms) + Scan time of slave (ms)	



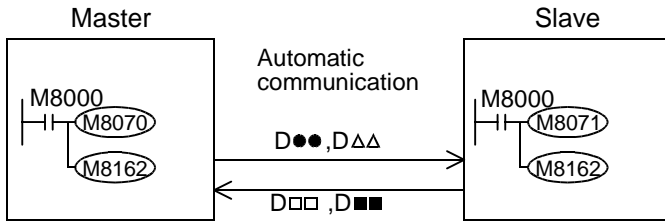
**Note;**

Parallel link is possible between PLC's in the same series, or in other series as long as they are in the group. However, parallel link between each different group cannot be achieved.

Groups are separated as follows.

Group No.	Series
Group 1	FX2N, FX2NC
Group 2	FX1N
Group 3	FX1S
Group 4	FX0N
Group 5	FX, FX2C

5.2.2 High Speed Mode (Special auxiliary relay M8162: ON)



		FX <sub>2N</sub> , FX <sub>2NC</sub> , FX <sub>1N</sub> , FX, FX <sub>2C</sub>	FX <sub>1S</sub> , FX <sub>0N</sub>
Communication devices	Master → Slave	D490, D491 (2 points)	D230, D231 (2 points)
	Slave → Master	D500, D501 (2 points)	D240, D241 (2 points)
Communication time		20 (ms) + Scan time of master (ms) + Scan time of slave (ms)	



Note;

Parallel link is possible between PLC's in the same series, or in other series as long as they are in the group. However, parallel link between each different group cannot be achieved.

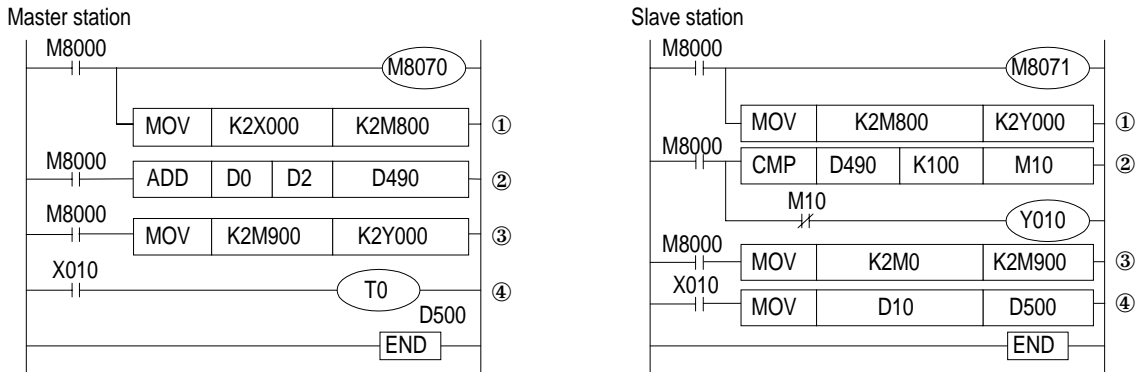
Groups are separated as follows.

Group No.	Series
Group 1	FX <sub>2N</sub> , FX <sub>2NC</sub>
Group 2	FX <sub>1N</sub>
Group 3	FX <sub>1S</sub>
Group 4	FX <sub>0N</sub>
Group 5	FX, FX <sub>2C</sub>

## 5.3 Example Program

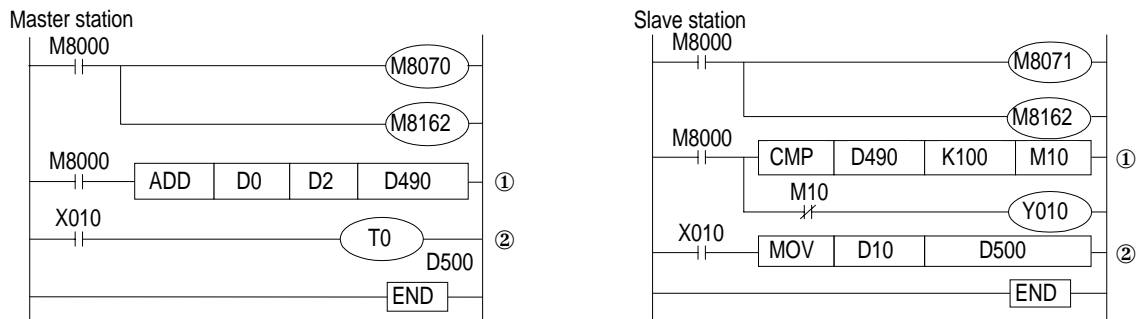
### 5.3.1 Normal Mode

The ON/OFF status of the inputs X000 to X007 in the master station is output to Y000 to Y007 in the slave station (①). When the calculation result (D0+D2) in the master station is 100 or less, Y010 in the slave station is turned on (②). The ON/OFF status of M0 to M7 in the slave station is output to Y000 to Y007 in the master station (③). The value of D10 in the slave station is set to the timer (T0) in the master station (④).



### 5.3.2 High Speed Mode

When the calculation result (D0+D2) in the master station is 100 or less, Y010 in the slave station is turned on (①). The value of D10 in the slave station is set to the timer (T0) in the master station (②).



**Note;**

In the normal mode, “FNC 81 PRUN” instruction can be used for ①. However, This instruction is only supported FX, FX2C, FX2N, FX2NC.



1	Introduction
2	Wiring
3	Specifications
4	N:N network
5	Parallel link
6	Communication format (D8120)
7	Computer link
8	Commands (for computer link)
9	RS instruction
10	FX <sub>2</sub> N-232IF
11	Optional programming port
12	Diagnostics
A	Further Information Manual List
B	ASCII code Lists



## 6. Communication format (D8120)

This chapter explains setting the communication between no protocol communication (RS instruction) and computer link. For the RS instruction, refer to Section 9. For computer link, refer to Sections 7 and 8.

### 6.1 What Is Communication Format ?

The communication format decides the communication setting (data length, parity, and baud rate, etc.) between computer link and no protocol communication (RS instruction).

The communication format can be set using the special data register D8120\* in a programmable controller. Set D8120 in accordance with external equipment used.

After modifying the setting of the D8120, make sure to turn off the power of the programmable controller, then turn it on again.

\* In the FX<sub>2N</sub>, FX<sub>2NC</sub> series, this setting can be performed using parameters.

### 6.2 Related Flags and Data Registers

#### 6.2.1 Special Auxiliary Relays

Special auxiliary relays	Description
M8121	Data transmission delayed (RS instruction)
M8122	Data transmission flag (RS instruction)
M8123	Finished receiving flag (RS instruction)
M8124	Carrier detection flag (RS instruction)
M8126	Global flag (computer link)
M8127	On-demand handshake flag (computer link)
M8128	On-demand error flag (computer link)
M8129	On-demand word/byte changeover (computer link)
	Time out evaluation flag (RS instruction)
M8161	8 bits/16 bits changeover flag (RS instruction)

( ) indicates the use application.

#### 6.2.2 Special Data Registers

Special data registers	Description
D8120	Communication format (RS instruction, computer link)
D8121	Station No. setting (computer link)
D8122	Number of remaining data to be transmitted (RS instruction)
D8123	Number of receive data (RS instruction)
D8124	Data header <Initial value: STX> (RS instruction)
D8125	Data terminator <Initial value: ETX> (RS instruction)
D8127	On-demand head device register (computer link)
D8128	On-demand data length register (computer link)
D8129	Data network Time-out timer value (RS instruction, computer link)

( ) indicates the use application.

### 6.3 Communication Format (D8120)

Bit No.	Name	Description	
		0 (bit = OFF)	1 (bit = ON)
b0	Data length	7 bit	8 bit
b1 b2	Parity	(b2, b1) ( 0, 0 ) : None ( 0, 1 ) : Odd ( 1, 1 ) : Even	
b3	Stop bit	1 bit	2 bit
b4 b5 b6 b7	Baud rate(bps)	(b7, b6, b5, b4) ( 0, 0, 1, 1 ) : 300 ( 0, 1, 0, 0 ) : 600 ( 0, 1, 0, 1 ) : 1,200 ( 0, 1, 1, 0 ) : 2,400	(b7, b6, b5, b4) ( 0, 1, 1, 1 ) : 4,800 ( 1, 0, 0, 0 ) : 9,600 ( 1, 0, 0, 1 ) : 19,200
b8*1	Header	None	Effective (D8124) Default : STX (02H)
b9*1	Terminator	None	Effective (D8125) Default : ETX (03H)
b10 b11 b12	Control line	No protocol	(b12, b11, b10) ( 0, 0, 0 ) : No use <RS232C interface> ( 0, 0, 1 ) : Terminal mode <RS232C interface> ( 0, 1, 0 ) : Interlink mode <RS232C interface > (FX2N V2.00 or more) ( 0, 1, 1 ) : Normal mode 1 <RS232C interface>, <RS485 (422) interface>*3 ( 1, 0, 1 ) : Normal mode 2 <RS232C interface> (FX, FX2c only)
		Computer link	(b12, b11, b10) ( 0, 0, 0 ) : RS485 (422) interface ( 0, 1, 0 ) : RS232C interface
b13*2	Sum check	Sum check code is not added	Sum check code is added automatically
b14*2	Protocol	No protocol	Dedicated protocol
b15*2	Transmission control protocol	Protocol format 1	Protocol format 4

\*1 Make sure to set to "0" when computer link used.

\*2 Make sure to set to "0" when no protocol communication used.

\*3 When using RS485 (422) interface, make setting controll line the same as this. But control line of communication is the same as when not using control line operation.

This connection (RS485) is supported in the FX0N, FX1S, FX1N, FX2N, FX2NC series.

## 6.4 Example of setting program

When setting the contents shown on the left, perform programming as follows.

```

M8002 [ MOV H0C8E D8120 ]
        b15
D8120 = [ 0000 1100 1000 1110 ]
         0   C   8   E
    
```

Data length	7 bits
Parity	Even
Stop bit	2 bits
Baud rate	9600 bps
Protocol	No protocol
Header	No used
Terminator	No used
Control line	Normal mode 1

# MEMO

1	Introduction
2	Wiring
3	Specifications
4	N:N network
5	Parallel link
6	Communication format (D8120)
7	Computer link
8	Commands (for computer link)
9	RS instruction
10	FX <sub>2</sub> N-232IF
11	Optional programming port
12	Diagnostics
A	Further Information Manual List
B	ASCII code Lists





# 7. Computer Link

This chapter explains the details and methods of specifying dedicated protocol used for linking of the FX programmable controller and computer. The dedicated protocol is available in two types, format 1 and format 4 (the format names conform to the dedicated protocols used in the computer link unit of the A series programmable controller).

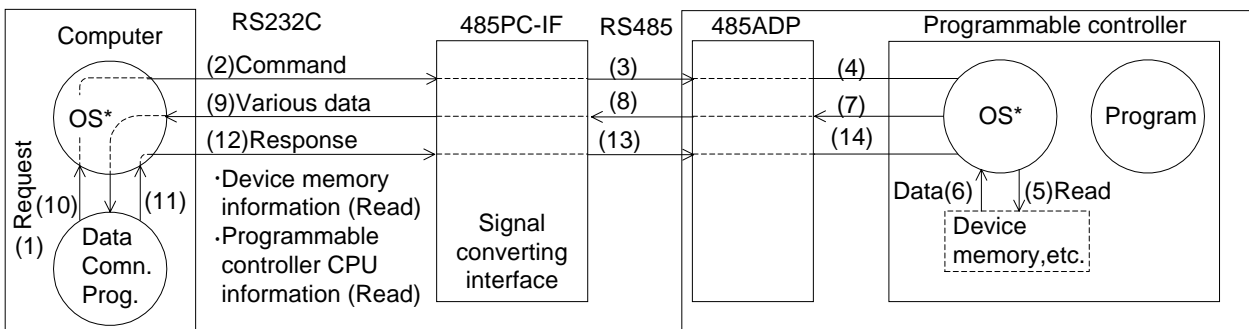
In this chapter FX<sup>2N</sup>-232-BD, FX<sup>1N</sup>-232-BD, FX<sup>0N</sup>-232ADP and FX-232ADP refer to 232ADP, FX<sup>2N</sup>-485-BD, FX<sup>1N</sup>-485-BD, FX<sup>0N</sup>-485ADP and FX-485ADP refer to 485ADP, FX-485PC-IF refer to 485PC-IF.

When interface of programmable controller using RS232, please after read 232ADP instead of 485ADP.

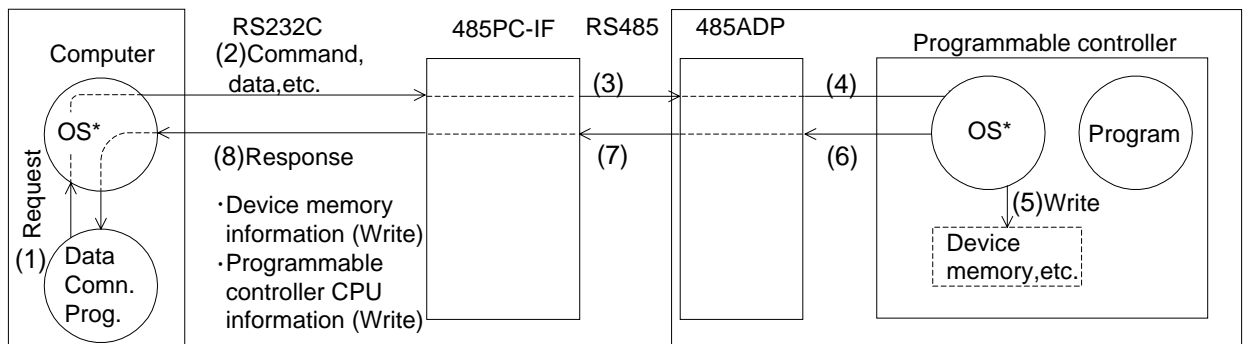
## 7.1 Data Flow by Link

Shown below are drawings of data flow for reading, writing, and status control of the programmable controller.

1) The computer reads data from programmable controller.

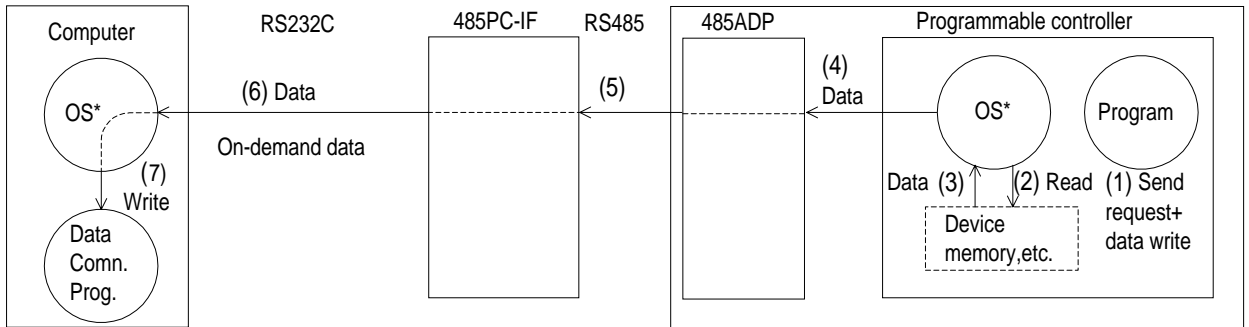


2) The computer sends data to programmable controller.



\*OS (operating system) is the software for operating (or using) effectively the resources such as the CPU, memory, terminal, file and network.

3 ) Programmable controller sends data to the computer.



\*OS (operating system) is the software for operating (or using) effectively the resources such as the CPU, memory, terminal, file and network.

## 7.2 Information Needed Before Programming

### 7.2.1 Programmable Controller Operation

The operation and scan time of programmable controller by the computer link are as follows. While the programmable controller is running, access requests to the programmable controller from the computer are processed on every END processing. The processing of Send or Receive data is performed using interrupts.

Therefore, during the processing of Send or Receive, the scan time is extended; typically by about 10 %. The scan time can be monitored using the special data registers D8010 to D8012 of the programmable controller.

**Note;**

- These are in units of 0.1 ms

### 7.2.2 Notes of Computer

- 1) Conditions under which the transmission sequence is initialized.  
The transmission sequence of the programmable controller is initialized during the following conditions.
  - When the power is turned on
  - When data communication is completed normally
  - When control code EOT or CL is received
  - When a NAK control code is received
  - After the time-out check time has elapsed (see section 7.4.4)
- 2) Occurrence of framing error at the computer  
When a commercial RS485 interface is used at the computer, if nothing is transmitted from the programmable controller to the computer at the interface, a framing error may occur at the computer.  
Accordingly, read and skip the data at the computer until any one of STX, ACK, and NAK is transmitted from the programmable controller.
- 3) NAK response from programmable controller  
NAK response from the programmable controller to the computer is done when an error is detected.
- 4) Command transmission from computer  
When sending a command from the computer to the programmable controller using the dedicated protocol, only send the command after a gap of approximately two programmable controller scans from the time the data communications required by the previous command are completed.

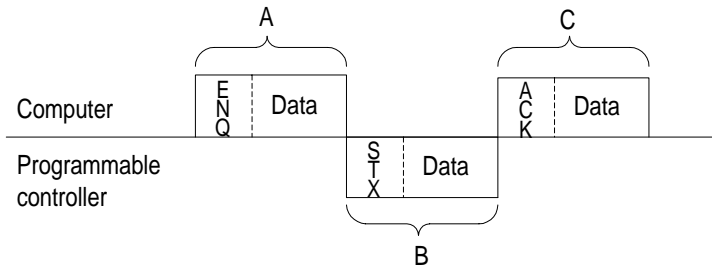


**Caution;**

When using RS485 wiring (one pair, see section 2.3.3) remember to take account of/or ignore the “echo” of the commands sent from the computer.

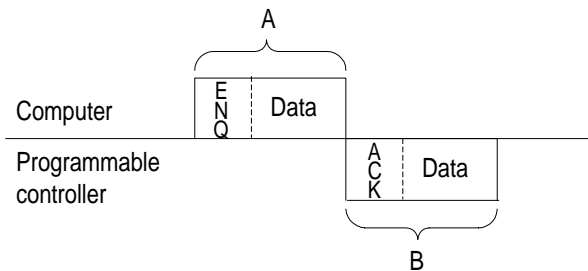
### 7.3 How to Read a Control Protocol Diagram

- 1) When the computer reads data from the programmable controller  
(computer ← programmable controller)



- a) Areas A and C indicate transmission from the computer to the programmable controller.
- b) Area B denotes transmission from the programmable controller to the computer.
- c) The computer program is created so that the data is transmitted in the order read from left to right, and the protocol determines that the data is sent in the sequence A, B, C.  
(Example: In area A, ENQ is transmitted followed by all other data, starting to the right, after the ENQ.)

- 2) When writing data from the computer into the programmable controller  
(computer → programmable controller)



- a) Areas A indicates transmission from the computer to the programmable controller.
- b) Area B denotes transmission from the programmable controller to the computer.
- c) The computer program is created so that the data is transmitted in the order read from left to right, and the protocol determines that the data is sent in the sequence A, B.  
(Example: In area A, ENQ is transmitted followed by all other data, starting to the right, after the ENQ.)

## 7.4 Basic Formats of Dedicated Protocol

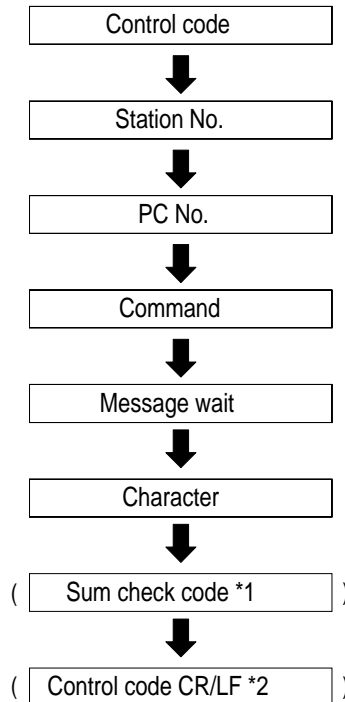
There are two formats for the dedicated protocol; which may be selected by setting special data register D8120(see chapter 6).

The difference between the two formats is whether CR + LF is added to each block or not.

The protocols are format 1 and format 4. (The format names conform to the computer link unit for A series programmable controller.)



### Basic format of transmitted data.



\*1 Whether or not to add sum check code can be selected using the communication format special data register D8120.

\*2 Whether or not to add terminating CR + LF codes is determined by the protocol selected.

7.4.1 Control Protocol Format 1

Description	Control protocol
<p>To read data from the programmable controller to the computer</p>	
<p>To write data from the computer to the programmable controller</p>	
<p>Remarks</p>	<ol style="list-style-type: none"> <li>1) Sum check code is used when the sum check flag is set "Yes" ("b13=1" in special data register D8120), and not used when set to "No" ("b13=0").</li> <li>2) When the sum check flag is set to "Yes", the sum check is made on the characters in the asterisked area.</li> <li>3) In the diagram, the contents of character area A, character area B, and character area C depend on the individual system, but do not differ depending on the format of control protocol. For details of each character area, see the link contents.</li> </ol>

7.4.2 Control Protocol Format 4

Description	Control protocol
<p>To read data from the programmable controller to the computer</p>	
<p>To write data from the computer to the programmable controller</p>	
<p>Remarks</p>	<ol style="list-style-type: none"> <li>1) Sum check code is used when the sum check flag is set "Yes" ("b13=1" in special data register D8120), and not used when set to "No" ("b13=0").</li> <li>2) When the sum check flag is set to "Yes", the sum check is made on the characters in the asterisked area.</li> <li>3) In the diagram, the contents of character area A, character area B, and character area C depend on the individual system, but do not differ depending on the format of control protocol. For details of each character area, see the link contents.</li> </ol>

**7.4.3 Control Protocol Parts Explained**

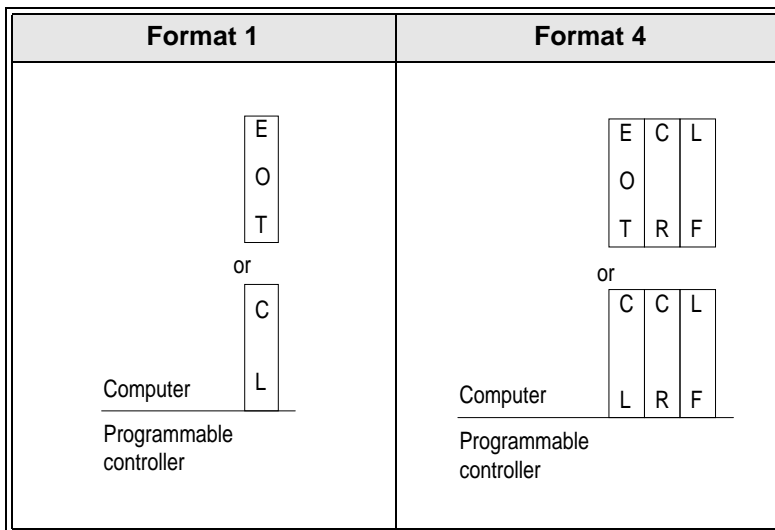
This is to explain the content of data set in each control procedure.

1) Control codes

The control codes are listed below.

Signal	Code (Hexadecimal)	Description	Signal	Code (Hexadecimal)	Description
STX	02H	Start of Text	LF	0AH	Line Feed
ETX	03H	End of Text	CL	0CH	Clear
EOT	04H	End of Transmission	CR	0DH	Carriage Return
ENQ	05H	Enquiry	NAK	15H	Not Acknowledge
ACK	06H	Acknowledge			

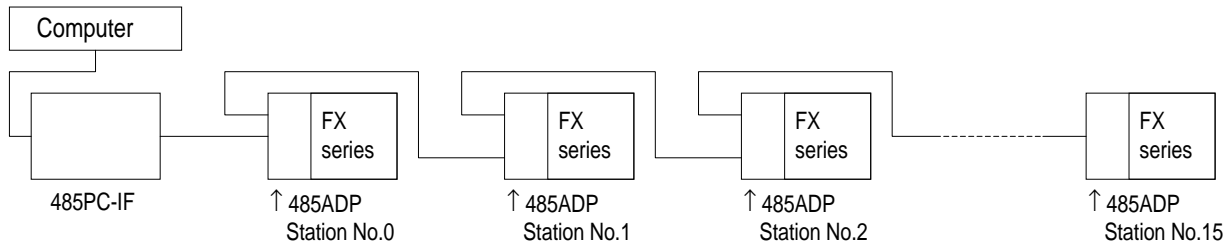
- a) The programmable controller initializes the transmission sequence when receiving any one of ENQ, ACK, NAK, and starts.
- b) When EOT, or CL code is received as follows, the programmable controller initializes the transmission sequence. At this time, no response is made from the programmable controller.



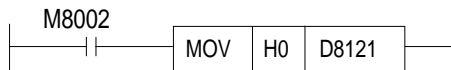


2 ) Station number

The station number is the number provided at the programmable controller in order to determine which programmable controller the computer accesses. In the FX series programmable controller, the station number is set by the special data register D8121(special D8121 hereinafter). The setting range is 00H to 0FH. In the case of FX<sub>0N</sub> series turn on M8120 when using the special D8121. For the setting method of an A series programmable controller, see the A series manual.



The following instructions can be used to set the station number of station 0 in the above system.



**Notes**

- 1 ) When setting station numbers, don't set the same number at more than 1 station. Otherwise, transmission data may become confused and communication irregular.
- 2 ) Station numbers need not be set in numerical order, but are free to be set within the specified range(00H to 0FH). For example, setting in a random order or skipping numbers is acceptable.
- 3 ) PC number  
 The PC number is the number identifying the programmable controller CPU on the A series MELSECNET(II) or MELSECNET/B.  
 Accordingly, the PC number for an FX series programmable controller is FFH, and is represented as two ASCII characters; i.e. "FF". When using the on-demand function the PC number is automatically converted to FFH by the programmable controller.  
 For the PC number of programmable controller CPU on the MELSECNET(II), MELSECNET/B see the computer link manual for A series programmable controllers.
- 4 ) Command  
 Used to specify the operation required, e.g. read, write, etc. Commands are defined using two ASCII characters.  
 For a description of the available commands, see section 7.7.1.

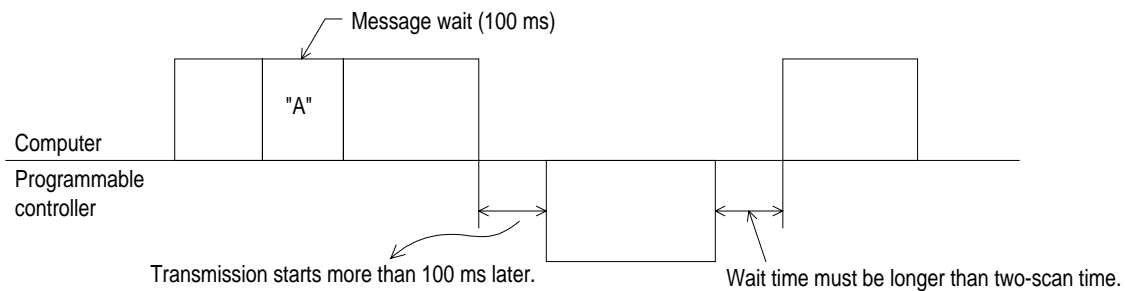
5 ) Message wait

This is a delay time required by some computers to switch between send and receive states. The message wait time determines the minimum delay before the programmable controller sends data after receiving a message from the computer. Set the wait time according to the computer specifications.

The message wait time may be set between 0 to 150 ms in 10 ms increments. The value is set using a single ASCII character ("0" to "F") representing 0H to FH (0 to 15).

When using the 485PC-IF in a 1:n system always set the message to be 70 ms or longer (7 or more). If scan time of programmable controller is 70 ms or more on the network, message wait time need to set maximum scan time or more.

Example: Setting the message wait time



6 ) Sum check code

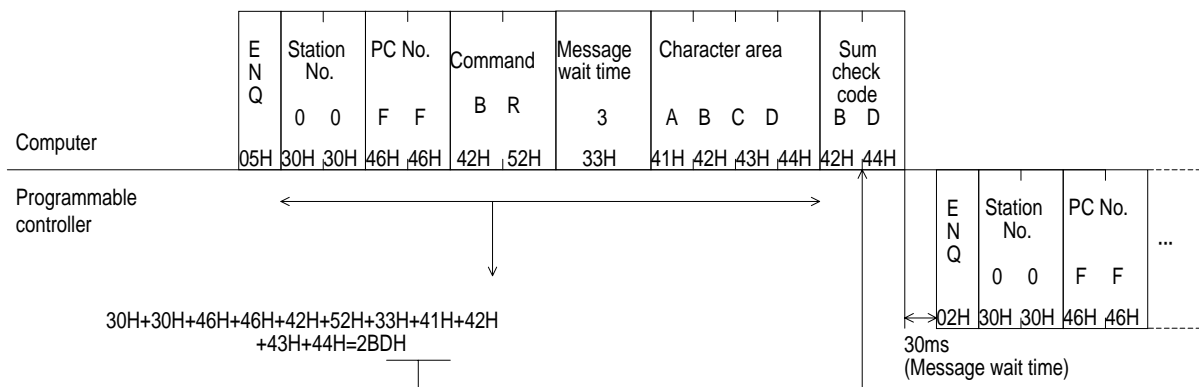
The sum check code is used to verify that the data in a message has not been corrupted. It is calculated by adding (summing) the hexadecimal values of the ASCII character codes in the sum check area of a message. The lower two digits (in hexadecimal) of the summed result (the sum check code) are then represented as two ASCII characters at the end of the message. (Note: The sum of the decimal ASCII character codes, converted to hexadecimal, will give the same result).

Special data register D8120 (communication format) b13, sets whether or not to add the sum check code to the message.

- When "b13=1", the sum check code is automatically added to messages when transmitting, and a new sum check value is calculated from the Receive data and compared with the received sum check value, thereby checking the Receive message.
- When "b13=0", the sum check code is not added, and the Receive data is not checked.

An example showing how to calculate the sum check code is given below.

Example: When transmitting station number 0, PC number FF, command BR (device memory batch read), message wait time 30 ms, and data ABCD in format 1, the sum check code is calculated as follows.

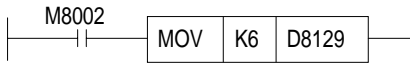


**7.4.4 Time-out Check Time**

The time out check time refers to the duration after termination of receive (final character received) of a failed transmission from the computer to the programmable controller, until the send sequence is initialized.

This check time is specified as follows depending on the model and version of the programmable controller.

To set the time-out check time as 60 ms:



**Other function information:**

- In the case of FX0N series, turn on M8120 when using the special D8129.

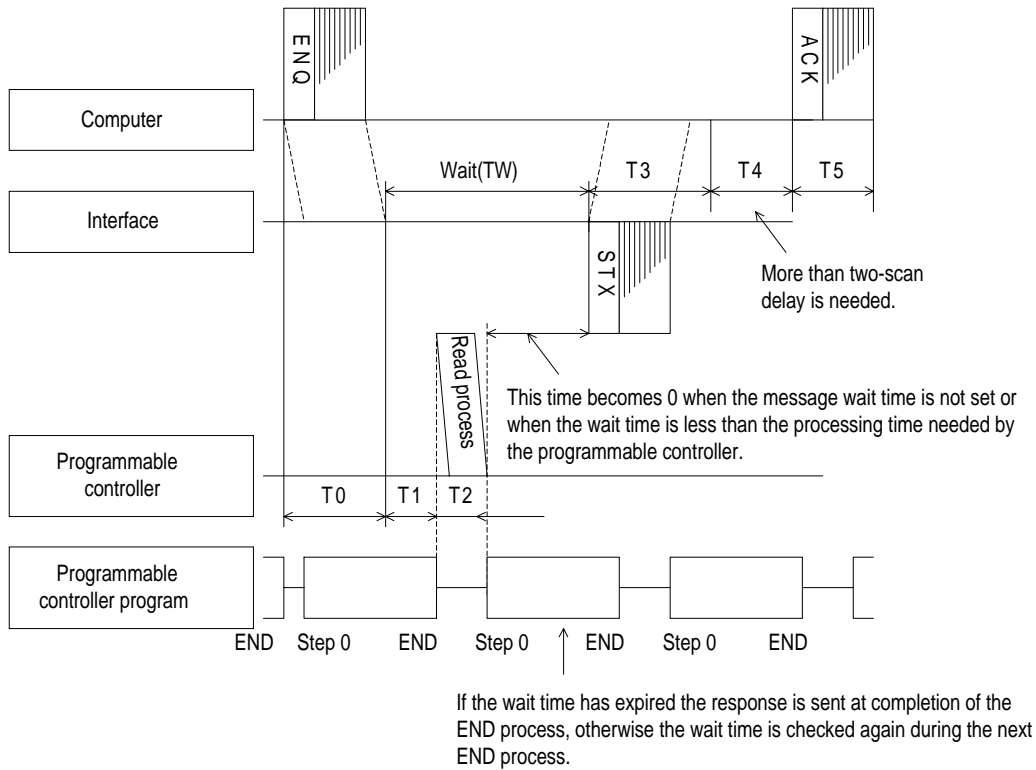
PC series	Setting range
FX0N, FX1S, FX1N	1 to 255 (10 to 2,550 ms) ; however, a setting of "0" gives 100 ms.
FX, FX2C, FX2N, FX2NC	1 to 3,276 (10 to 32,760 ms) ; however, setting of "0" gives 100 ms.

It must be noted that the time-out check time is not updated until the next character is received, and hence must be set to at least more than the time necessary to receive one character at the baud rate (transmission speed) in use. When 1 character = 12 bits, the minimum setting of time-out check time is as follows.

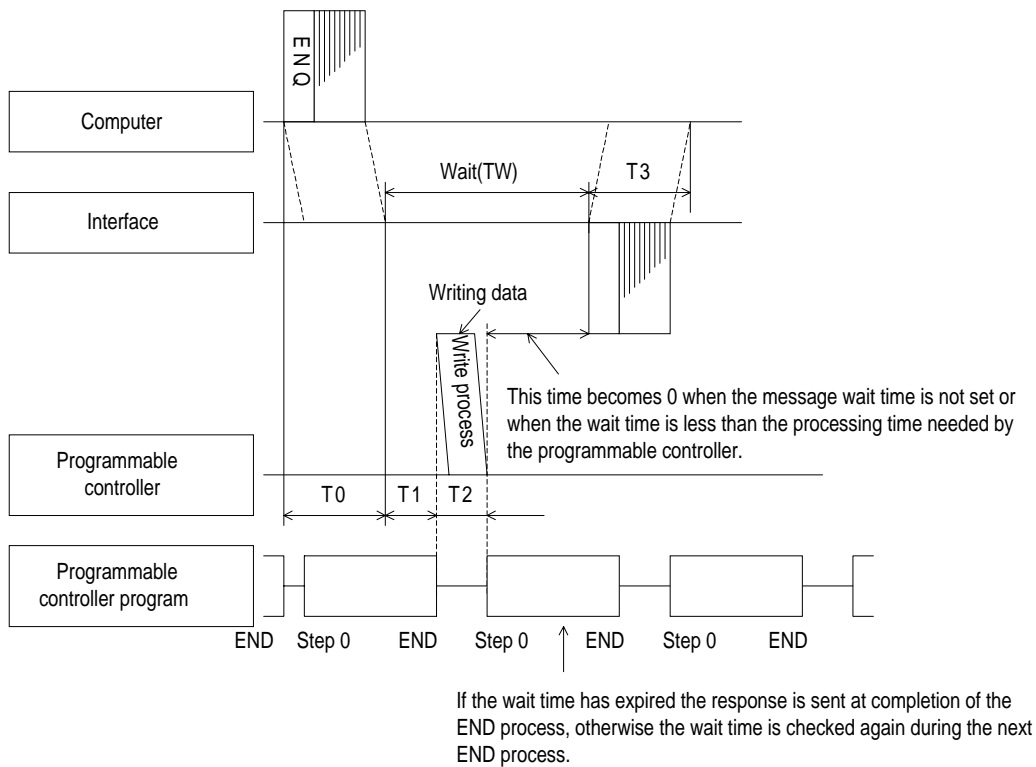
Baud rate (bps)	Time to receive one character (ms)	Time-out check time (set value)
300	40	50ms (5)
600	20	30ms (3)
1200	10	20ms (2)
2400	5	10ms (1)
4800	2.5	10ms (1)
9600	1.25	10ms (1)
19200	0.625	10ms (1)

## 7.5 Communication Timing Chart

### 7.5.1 Reading Data from Programmable controller



### 7.5.2 Writing Data to Programmable Controller



**7.5.3 Communication Time**

This is to explain the method of calculating the approximate time until all communication is over.

For the locations of T0 to T4, see the previous page.

- 1) When reading data from the programmable controller to the computer  
 Communication time = T0 + (T1 + T2 or TW, whichever is longer) + T3 + T4 + T5

$$T0, T3, T5 = \frac{1}{\text{baud rate}} \times \text{number of bits in 1 character} \times \text{number of characters}$$

$$(1 + 7(8) + 0(1) + 1(2))$$

T1 = max. 1 scan time (during RUN, message processing is done at END processing, a maximum delay of 1 scan could occur depending on message timing; during STOP, T1 is 1 ms)

T2 = END process time of programmable controller during data communication

T4 = A delay of at least 2 scans is required. However, using one-pair wiring on the 1:N system configuration, this time need to set "Time-out timer value (D8129) + 1 scan time" or more.

TW = set time when message wait is set.

- 2) When writing data from the computer to the programmable controller  
 Communication time = T0 + (T1 + T2 or TW, whichever is longer) + T3

$$T0, T3 = \frac{1}{\text{baud rate}} \times \text{number of bits in 1 character} \times \text{number of characters}$$

$$(1 + 7(8) + 0(1) + 1(2))$$

T1 = max. 1 scan time (during RUN, message processing is done at END processing, a maximum delay of 1 scan could occur depending on message timing; during STOP, T1 is 1 ms)

T2 = END process time of programmable controller during data communication

TW = set time when message wait is set.

## 7.6 Character Area Data Transmission

The data shown in the following examples are samples of the data used in character area B when reading or character area C when writing data. (see section 7.4.1 and 7.4.2)

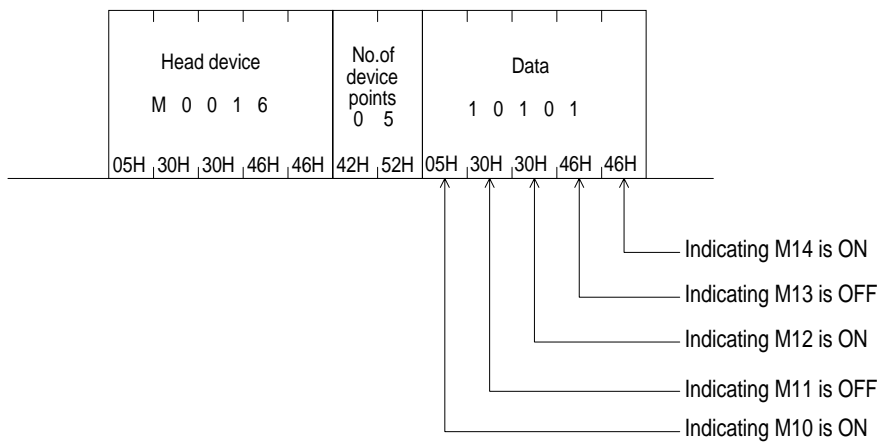
### 7.6.1 Bit Device Memory

Bit device memory is handled in 1 bit units (1 point) or in word unit (16 points).

#### 1) Bit units (units of 1 point)

When handling bit device memory in bit units, the specified number of devices, in an increasing order from the specified head device, are represented sequentially from the left, as "1"(31H) when ON, and as "0"(30H) when OFF.

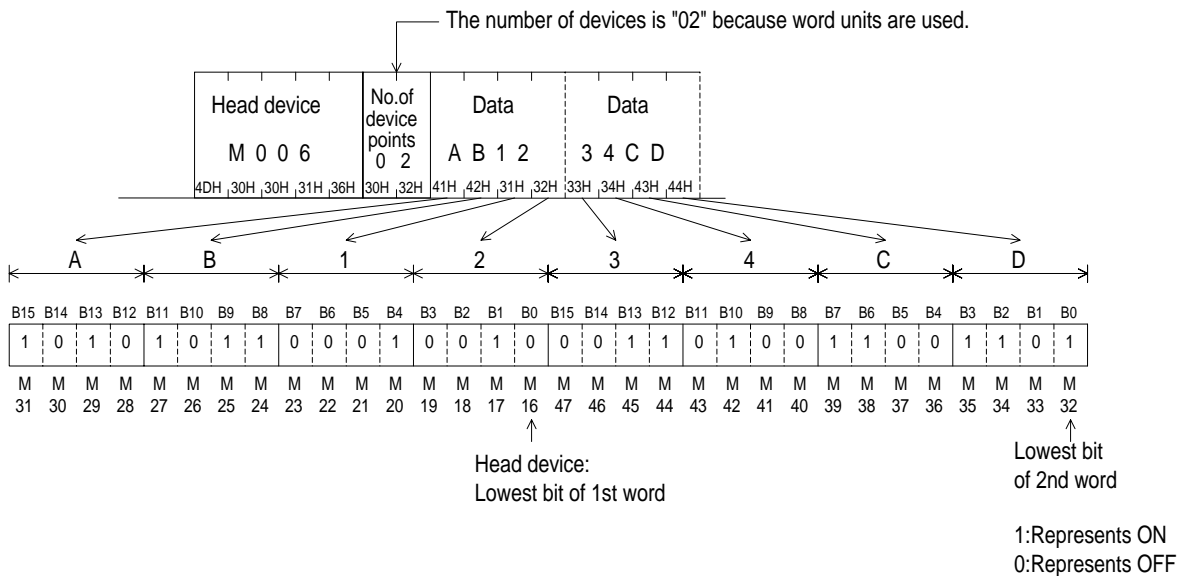
Example: When transmitting the on/off status of five points from M10



#### 2) Word units (units of 16 points)

When handling bit device memory in word units, each word (16 bits, highest bit being first) is expressed as 4 hexadecimal digits (each of 4 bits) starting with the higher digit. Each digit being represented by the appropriate ASCII character.

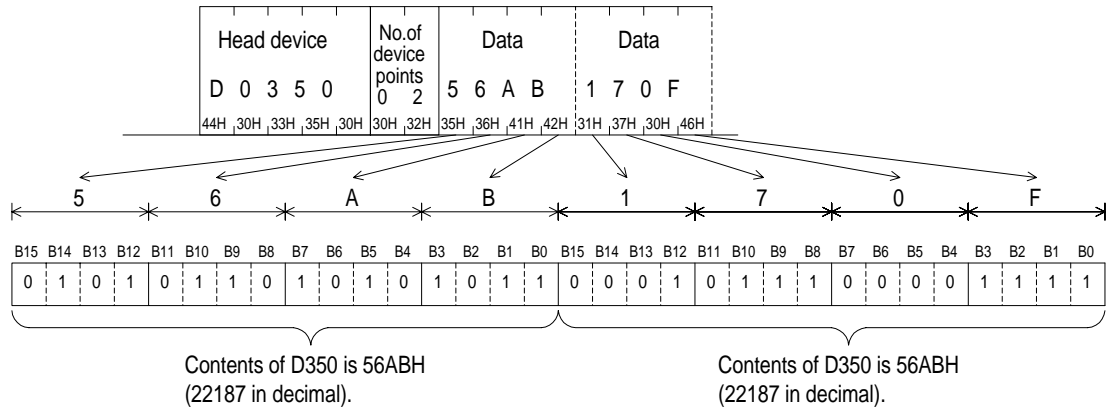
Example: When transmitting the on/off status of 32 points from M16



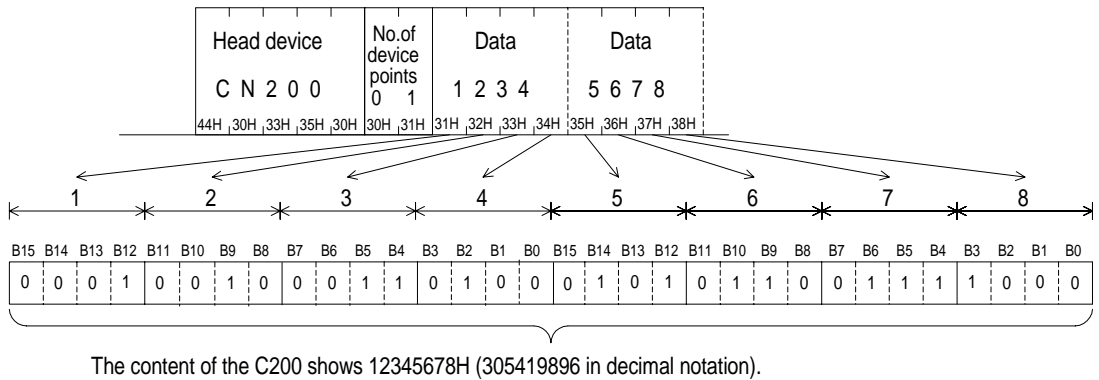
7.6.2 Word Device Memory

When handling word device memory, each word is expressed as 4 hexadecimal digits (each of 4 bits) starting with the higher digit. Each digit being represented by the appropriate ASCII character.

Example 1) When showing the contents of data registers D350, D351



Example 2) When showing the contents of C200\* (32-bit counter)



\* The device code of C200 is CN200.

## 7.7 Commands and Device Ranges

### 7.7.1 Commands

			Command		Description	Maximum No. of units per communication	
			Symbol	ASCII code		FX <sup>0N</sup> , FX <sup>1S</sup>	FX, FX <sup>2C</sup> , FX <sup>1N</sup> , FX <sup>2N</sup> , FX <sup>2NC</sup>
Device memory	Batch read	Bit unit	BR	42H, 52H	Reads a group of bit devices (X, Y, M, S, T, C), result is in units of 1 device.	54 points	256 points
		Word unit	WR	57H, 52H	Reads a group of bit devices (X, Y, M, S), result is in units of 16 devices.	13 words, 208 points	32 words, 512 points
					Reads a group of word devices (D, T, C), result is in units of 1 device.	13 points	64 points
	Batch write	Bit unit	BW	42H, 57H	Writes a group of bit devices (X, Y, M, S, T, C), data is in units of 1 device.	46 points	160 points
		Word unit	WW	57H, 57H	Writes a group of bit devices (X, Y, M, S), data is in units of 16 devices.	10 words, 160 points	10 words, 160 points
					Writes a group of word devices (D, T, C), data is in units of 1 device.	11 points	64 points
	Test (select write)	Bit unit	BT	42H, 54H	Set/reset individual bit devices (X, Y, M, S, T, C) selectively in units of 1 device.	10 points	20 points
		Word unit	WT	57H, 54H	Set/reset bit devices (X, Y, M, S) selectively in units of 16 devices.	6 words, 96 points	10 words, 160 points
					Write word devices (D, T, C*) selectively in units of 1 device.	6 points	10 points
	PC	Remote run	RR	52H, 52H	Remote run/stop request to programmable controller.	—	—
Remote stop		RS	52H, 53H				
PC type read		PC	50H, 43H	PC type name(code) is read.			
Global		GW	47H, 57H	Set/reset the global flag (M8126 for FX series) to all connected programmable controllers.	1 point	1 point	
On-demand		—		Send request from programmable controller. Possible, however, only in 1:1 system configuration.	Maximum 13 words	Maximum 64 words	
Loopback test		TT	54H, 54H	Characters received from the computer are directly sent back to the computer.	25 characters	254 characters	

\* Computer except high speed (32-bit) counters C200 to C255.



**7.7.2 Device specification ranges**

The following is the device and device number range that can be used in the access of device memory.

Each device is composed of five characters.

Device (1 character, 2 characters with timer and counter) + device number (4 characters, 2 characters with timer and counter) = 5 characters.

1) Bit devices

Device	Device specification characters					Decimal/octal expression	Usable command	
	FX0N	FX1S	FX, FX2C	FX1N	FX2N, FX2NC		BR, BW, BT	WR, WW, WT
Inputs (X)	X0000~X0177	X0000~X0017	X0000~X0337	X0000~X0177	X0000~X0267	Octal	○	○
Outputs (Y)	Y0000~Y0177	Y0000~Y0015	Y0000~Y0337	Y0000~Y0177	Y0000~Y0267			
Auxiliary relays (M)	M0000~M0511		M0000~M1535		M0000~M3071	Decimal	○	×
States (S)	S0000~S0127		S0000~S0999					
Special auxiliary relays (M)	M8000~M8254		M8000~M8255					
Timer contacts (T)	TS000~TS063		TS000~TS255					
Counter contacts (C)	CS000~CS031 CS235~CS254		CS000~CS255					

In FX series, the timer coil (TC) and counter coil (CC) are not supported.

2) Word devices

Device	Device specification characters				Decimal/octal expression	Usable command		
	FX0N	FX1S	FX, FX2C	FX1N, FX2N, FX2NC		BR, BW, BT	WR, WW	WT
Timer current value (T)	TN000~TN063		TN000~TN255		Decimal	×	○	○
Counter current value(C)	CN000~CN031 CN235~CN254		CN000~CN255					○*
Data registers (D)	D0000~D0255		D0000~D0999	D0000~D7999				○
File registers (D)	D1000~D2499	—	D1000~D2999	—				○
RAM file registers (D)	—		D6000~D7999	—				○
Special data registers(D)	D8000~D8255		D8000~D8255					

\* Only CN000 to CN199 can be used.  
(C200 to C255 of 32 bit counter or high speed counter cannot be used.)



**Notes**

- 1) When using bit devices specified in word units (WR, WW, WT), the number of the head device must be a multiple of 8 (or if an octal device end in 0) e.g. X30, M24.
- 2) The special auxiliary relays (M8000 to M8255) and special data registers (D8000 to D8255) can be read only, write only, and received for system use.  
If an attempt is made to write outside the write enable range, an error may occur in the programmable controller. Accordingly, for details of special auxiliary relays and special data registers, see the programmable controller manual.

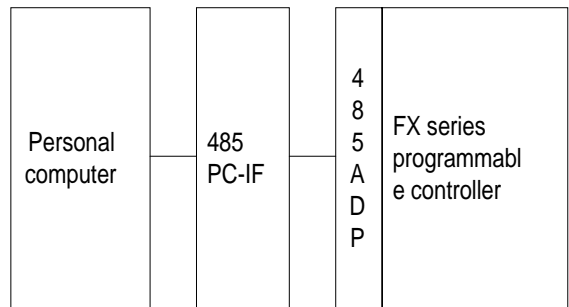
## 7.8 Example Computer Program for Loopback Test

This is an example of a BASIC program for communication of the computer link using a computer, programmable controller 485PC-IF, and 485ADP. (N88BASIC of Nippon Electric Corporation is used.)

Please see loopback test command see section 8.11.

### 1) Setting of transmission specification

Item		Description
Communication method		Half-duplex communication method
Synchronizing method		Start-stop synchronization method
Baud rate		9600 bps
Data format	Start bit	1 bit
	Data length	7 bit
	Parity bit	None
	Stop bit	1 bit
Sum check		Sum check is used
Station No.		Station No.0
Exclusive protocol format		Format 1



According to the above transmission specification, the transmission specification and transmission procedure of the programmable controller are set as follows.

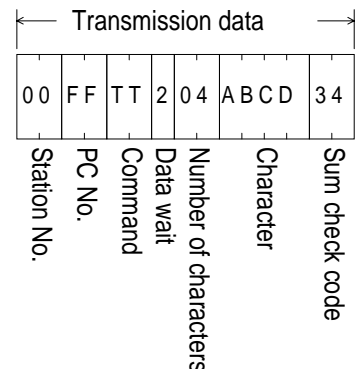
D8120 = H6080  
 D8121 = H0000  
 D8129 = K0

} For setting and details, see chapter 6, and section 7.4.

### 2) Program example

```

10 T0 = 3000      : ' Reception wait counter (adjusted depending on computer speed)
20 STCNT = 14    : ' Normal data length
30 NACNT = 7     : ' Data length of error code (NAK statement)
40 ERFLG = 0
50 ENQ$ = CHR$(5)
60 STX$ = CHR$(2)
70 ETX$ = CHR$(3)
80 NAK$ = CHR$(&H15)
90 *DATASEND                    : ' Data transmission
100 CLOSE #1
110 OPEN"COM1": "AS#1"
120 SENDDATA$ = "00FFTT204ABCD34" : ' Transmission data
130 PRINT #1, ENQ$, SENDDATA$;
140 *REC0: ' Reception of first character
150 RVCNT = 1
160 GOSUB *RECWAIT
170 IF ERFLG = 99 THEN GOTO ERRORFIN1
180 BUF$ = RCV$
    
```



```

190 HED$ = LEFT$(BUF$.1)
200 IF HED$ = STX$ OR HED$ = NAK$ THEN GOTO *REC1 ELSE GOTO *REC0
210 *REC1                                : ' Reception of remaining data
220 IF HED$ = STX$ THEN RVCNT = STCNT-1
230 IF HED$ = NAK$ THEN RVCNT = NACNT-1
240 GOSUB *RECWAIT
250 IF ERFLG = 99 THEN GOTO *ERRORFIN1
260 BUF$ = BUF$ + RCV$
270 *PRINTRDATA                          : ' Display of received data
280 PRINT "Received data"
290 PRINT "HEX ASCII"
300 FOR I=1 TO LEN(BUF$)
310  PRT1$ = MID$(BUF$,I,1)
320  PRT1$ = HEX$(ASC(PRT1$))
330  IF PRT2$ = "2" THEN PRINT " "; "02"; "STX" :GOTO 370
340  IF PRT2$ = "3" THEN PRINT " "; "03"; "ETX" :GOTO 370
350  IF PRT2$ = "15" THEN PRINT " "; "15"; "NAK" :GOTO 370
360  PRINT " "; PRT2$; " "CHR$(&H22); PRT1$; CHR$(&H22)
370 NEXT I
380 IF HED$ = NAK$ THEN GOTO *ERRORFIN2
390 *DATACHECK                            : ' Check of received data
400 DDATA$ = STX$ + "00FF04ABCD" + ETX$ + "5D" : ' Normal data
410 FOR J=1 TO LEN(BUF$)
420  RDATA$ = MID$(BUF$,J,1)
430  ODATA$ = MID$(DDATA$,J,1)
440  IF RDATA$ <> ODATA$ THEN GOTO *ERRORFIN3
450 NEXT J
460 PRINT "Received data is normal"
470 PRINT "Loopback test complete ":GOTO *FIN
480 *ERRORFIN1
490 PRINT "Data is not received at all or data content is insufficient."
500 GOTO *FIN
510 *ERRORFIN2
520 ERRORCODE$ = MID$(BUF$,6,2)
530 PRINT "Error code" ;ERRORCODE$; "H is received."
540 GOTO *FIN
550 *ERRORFIN3
560 PRINT "Received data is abnormal.(";J;"-th character)"
570 *FIN
580 CLOSE #1
590 END
600 *RECWAIT                              : ' Wait for receive
610 FOR I=1 TO T0
620  RCV$ = ""
630  IF LOC(1) => RVCNT THEN GOTO *BUFIN
640 NEXT
650 IF RCV$ = "" THEN ERFLG=99
660 RETURN
670 *BUFIN                                : ' Reading of received data
680 RCV$ = INPUT$(RVCNT,#1)
690 RETURN

```

## 3 ) Operation

- a ) Start the computer program.
- b ) Send four characters "ABCD" from the computer to the FX programmable controller.
- c ) The FX programmable controller returns the four characters "ABCD" back to the computer.
- d ) The computer compares the data received from the programmable controller and the original sent data, and displays a result message.

## 4 ) List of result messages

Message	Remedy
Received data is normal.	Data sending and receiving is normal.
Data is not received at all or data content is insufficient.	Check again the writing, station No., transmission specification, and transmission protocol.
Error code 00H is received.	Refer to error code list in chapter 12.
Received character is abnormal. (0-th character)	Check for faulty writing, observing writing cautions.

1	Introduction
2	Wiring
3	Specifications
4	N:N network
5	Parallel link
6	Communication format (D8120)
7	Computer link
8	Commands (for computer link)
9	RS instruction
10	FX <sub>2</sub> N-232IF
11	Optional programming port
12	Diagnostics
A	Further Information Manual List
B	ASCII code Lists



## 8. Commands

This chapter describes the structure and gives examples for each command of the dedicated protocol.

See also Chapter 7 “Communication using Dedicated Protocols”.

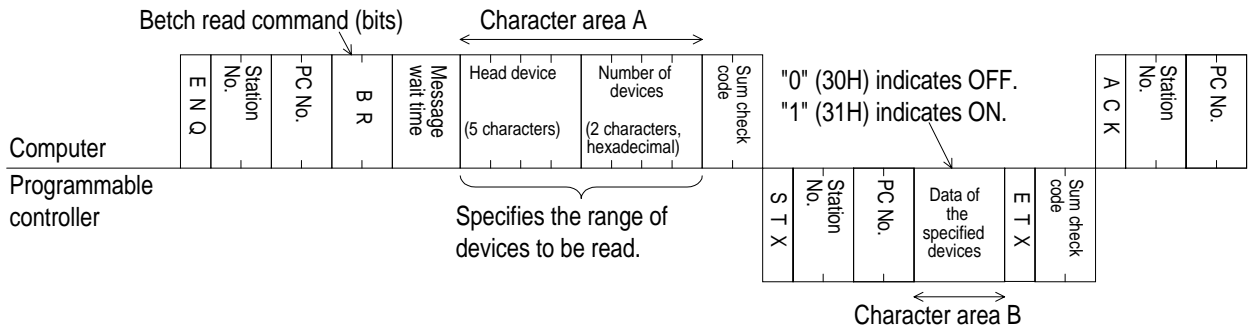
The reference pages for command are given below.

Command	Description	Section
BR	Bit devices read in units of 1 point.	8.1
WR	Bit devices read in units of 16 points, or word devices read in units of 1 point.	8.2
BW	Bit devices written in units of 1 point.	8.3
WW	Bit devices written in units of 16 points, or word devices written in units of 1 point.	8.4
BT	Bit devices specified in units of 1 point, and set/reset (forced on/off).	8.5
WT	Bit devices specified in units of 16 points, and set/reset (forced on/off), or word devices specified in units of 1 point, and data written.	8.6
RR	Programmable controller is started (RUN) by remote control.	8.7
RS	Programmable controller is stopped (STOP) by remote control.	8.7
PC	Programmable controller type name code is read.	8.8
GW	Global signal is turned on/off on all linked programmable controllers.	8.9
—	On-demand function (Send request is issued from the Programmable controller. There is no command).	8.10
TT	Characters received from the computer are directly returned to the computer.	8.11

## 8.1 Batch Read of Bit Device (BR command)

### 1) Command specification

Protocol format 1 is shown.



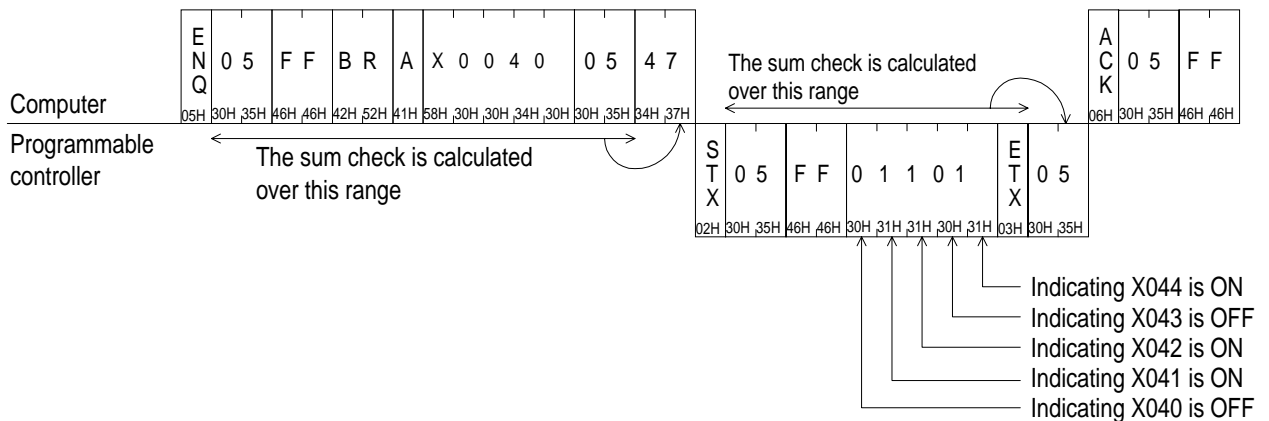
#### Notes

- Specify the range and number of devices so as to satisfy the following conditions.
  - 1 ≤ number of devices ≤ 256(54 for FX0N)(256 points are specified by 00H)
  - Head device No. + number of devices - 1 ≤ max. device No.
- The station number, PC number, number of devices, and sum check code are expressed in hexadecimal.

### 2) Command example

To read five points of data from X040 to X044 at station No.5 (with message wait time set to 100 ms).

(Assuming that X040 and X043 are OFF and X41, X42 and X44 are ON)



#### Notes

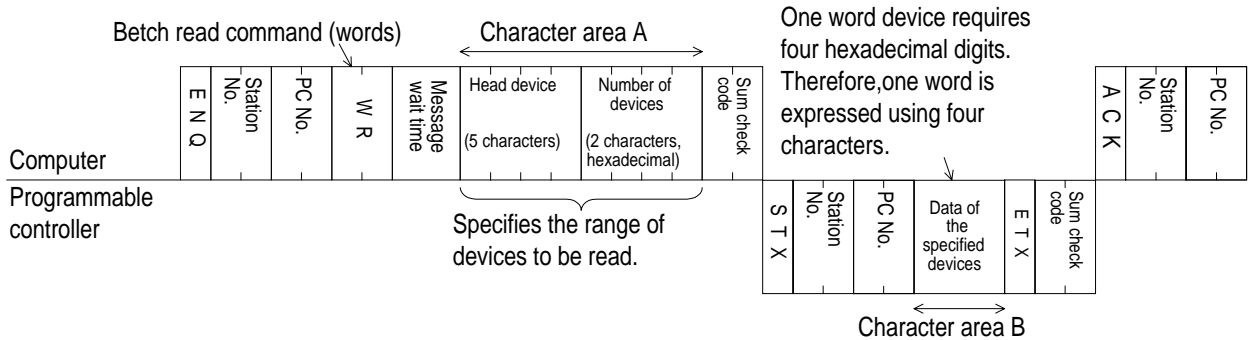
- Message wait time can be specified from 0 to 150 ms in 10 ms increments, expressed by 0H to FH (in hexadecimal).  
Therefore, 100 ms is expressed as "A".



## 8.2 Batch Read of Word Device (WR command)

### 1) Command specification

Protocol format 1 is shown.



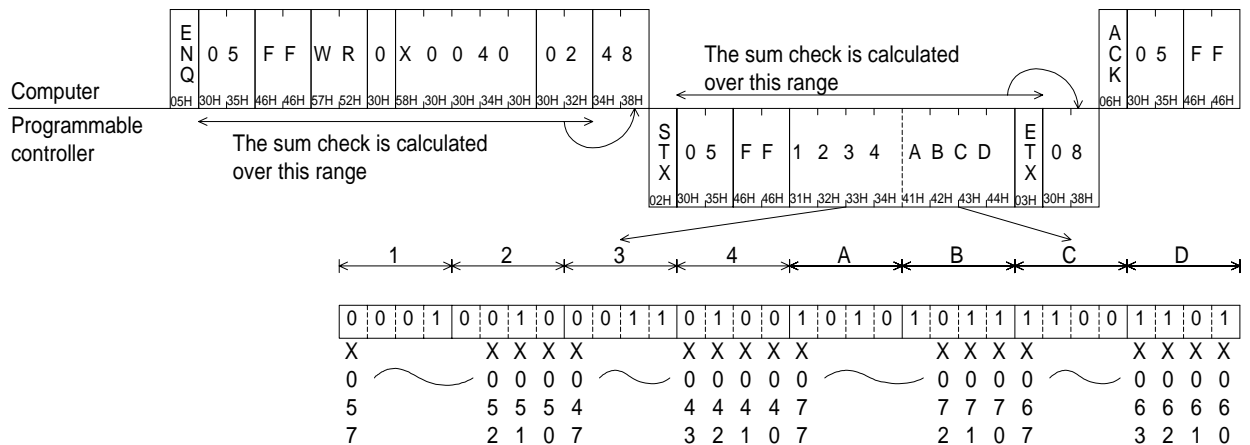
#### Notes

- Specify the range and number of devices (16 bit words) so as to satisfy the following conditions.
  - 1 ≤ number of devices ≤ 64 (32 words in the case of bit devices) (13 words for FX0N)
  - Head device No. + number of devices (number of devices × 16 in the case of bit devices) - 1 ≤ max. device No.
  - When reading 32-bit devices (C200 to C255), the returned data is a double word. Hence, the maximum number of devices is 32.
- The station number, PC number, number of devices, and sum check code are expressed in hexadecimal.

### 2) Command examples

#### a) Example 1

To read 32 points of data from X040 to X077 at station No.5 (with message wait time set to 100 ms).

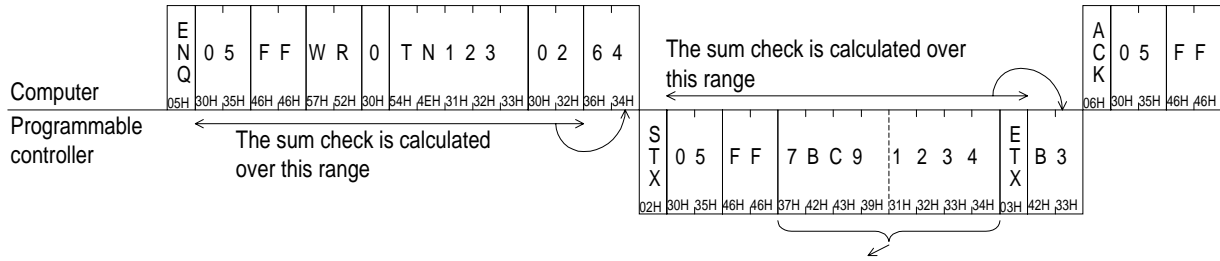


#### Notes

- Command WR uses word units. When reading 32 points, the number of devices is specified by "02" (16 points(bits) per one word unit).

b) Example 2

To read the present value of two points, T123 and T124, at station No.5.

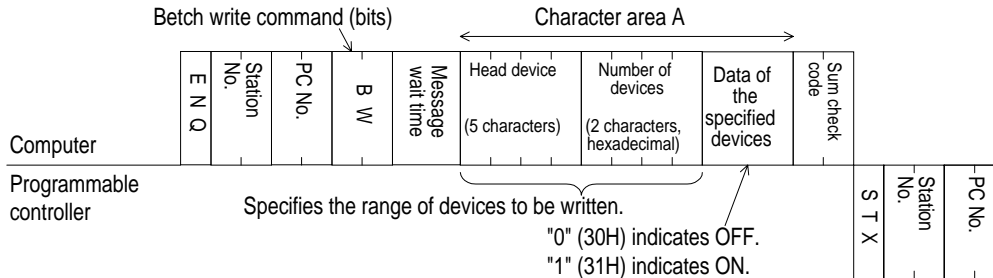


Present value of T123: 7BC9H(hexadecimal): indicates 31689 in decimal.  
 Present value of T124: 1234H(hexadecimal): indicates 4660 in decimal.

### 8.3 Batch Write of Bit Device (BW command)

#### 1) Command specification

Protocol format 1 is shown

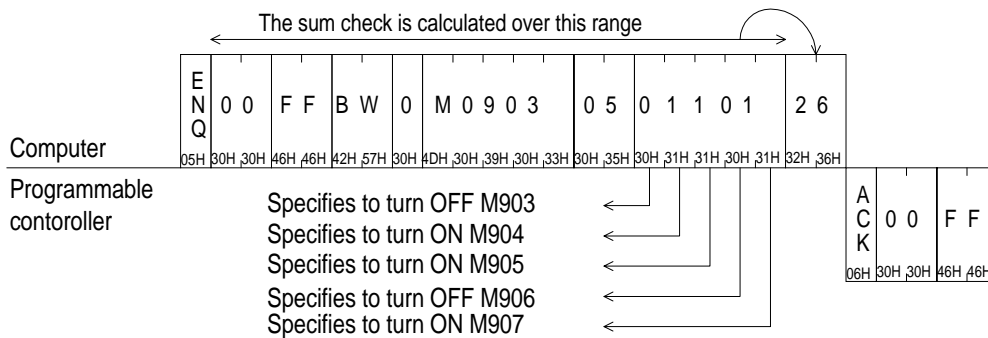


#### Notes

- Specify the range and number of devices so as to satisfy the following conditions.
  - 1 ≤ number of devices ≤ 160
  - Head device No. + number of devices - 1 ≤ max. device No.
- The station number, PC number, number of devices, and sum check code are expressed in hexadecimal.

#### 2) Command example

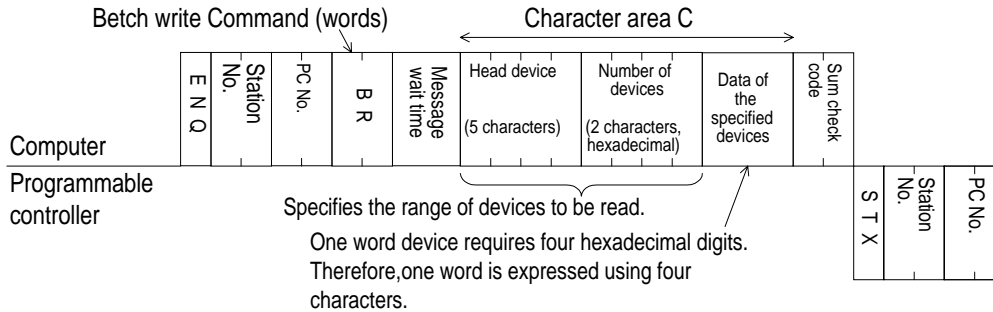
To write data into five points from M903 to M907 at station No.0 (with message wait time set to 0 ms).



## 8.4 Batch Write of Word Device (WW command)

### 1) Command specification

Protocol format 1 is shown



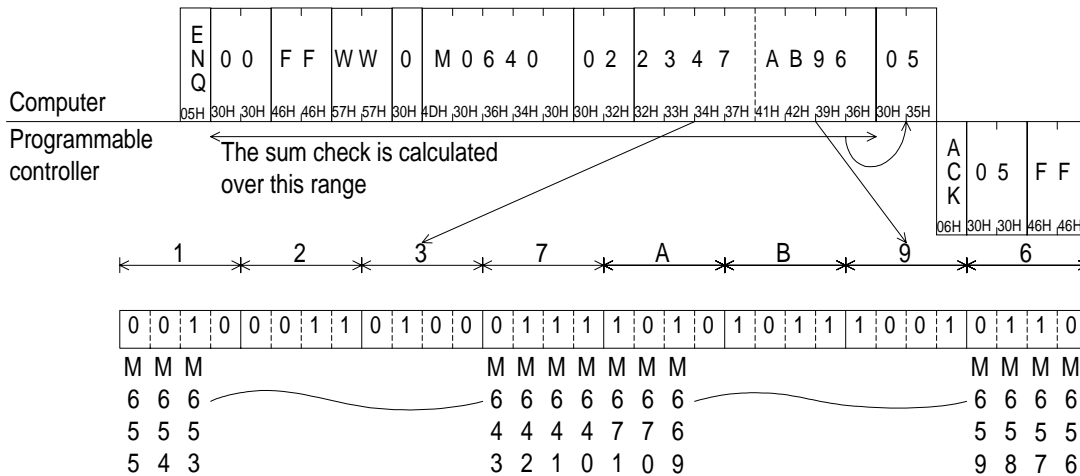
#### Notes

- Specify the range and number of devices (16 bit words) so as to satisfy the following conditions.
  - 1 ≤ number of devices ≤ 64 (10 words in the case of bit devices)
  - Head device No. + number of devices (number of devices × 16 in the case of bit device) - 1 ≤ max. device No.
- The station number, PC number, number of devices, and sum check code are expressed in hexadecimal.

### 2) Specification examples

#### a) Example 1

To write to 32 points from M640 to M671 at station No.0 (with message wait time set to 0 ms).

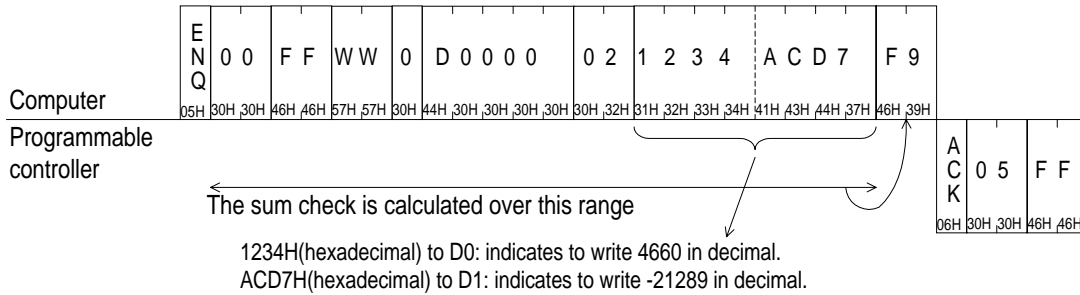


#### Notes

- Command WW uses word units. When writing 32 points, the number of devices is specified by "02" (16 points(bits) per one word unit).

b) Example 2

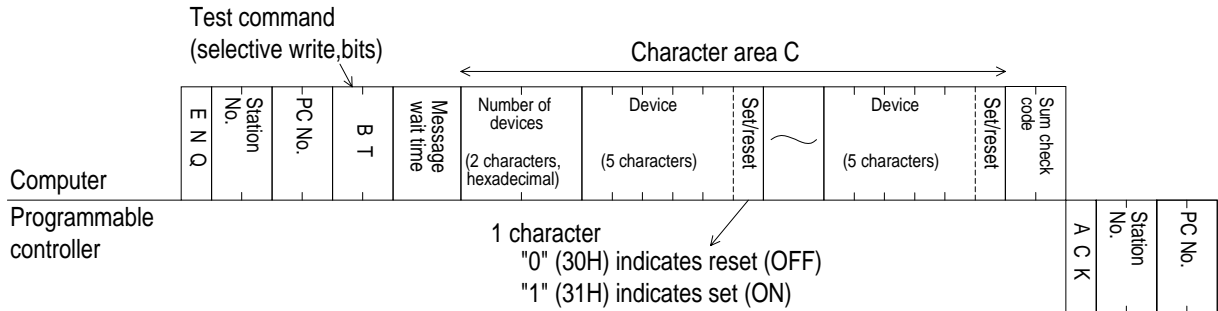
To write to data to two points, D0 and D1, at station No.0 (with message wait time set to 0 ms).



## 8.5 Test of Bit Device (BT command)

### 1) Command specification

Protocol format 1 is shown

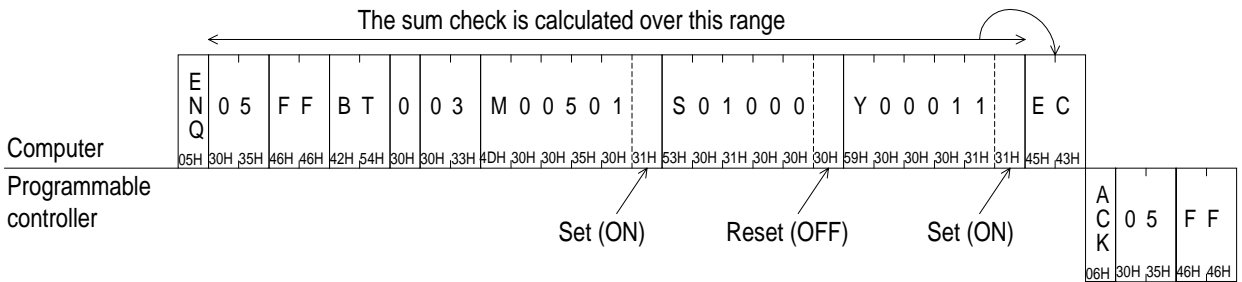


#### Notes

- Specify the range and number of devices so as to satisfy the following condition.
  - $1 \leq \text{number of devices} \leq 20$  (10 for FX0N)
- The station number, PC number, number of devices, and sum check code are expressed in hexadecimal.

### 2) Specification example

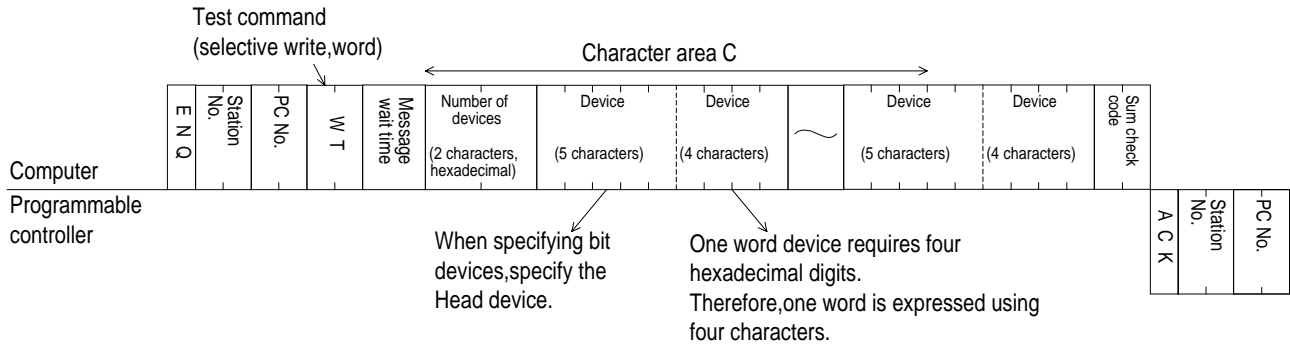
To set ON M50, OFF S100, and ON Y001 at station No.5 (with message wait time set to 0 ms).



## 8.6 Test of Word Device (WT command)

### 1) Command specification

Protocol format 1 is shown.

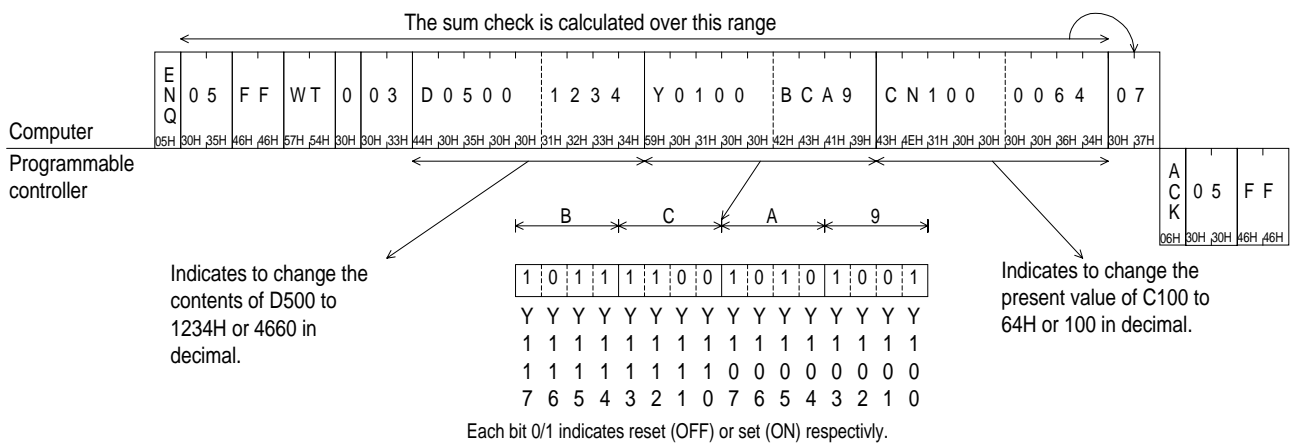


### Notes

- Specify the range and number of devices (16 bit words) so as to satisfy the following conditions.
  - $1 \leq \text{number of devices} \leq 10$  (6 for FX<sub>0N</sub>)(one unit is 16 points for bit devices)
- The station number, PC number, number of devices, and sum check code are expressed in hexadecimal.
- C200 to C255 (CN200 to CN255) which are 32-bit devices cannot be handled in this command.

### 2) Specification example

To changing the present value of D500 to 1234H, bits Y100 to Y117 to BCA9H, and the present value of C100 to 100 at station No.5 (with message wait time set to 0 ms).

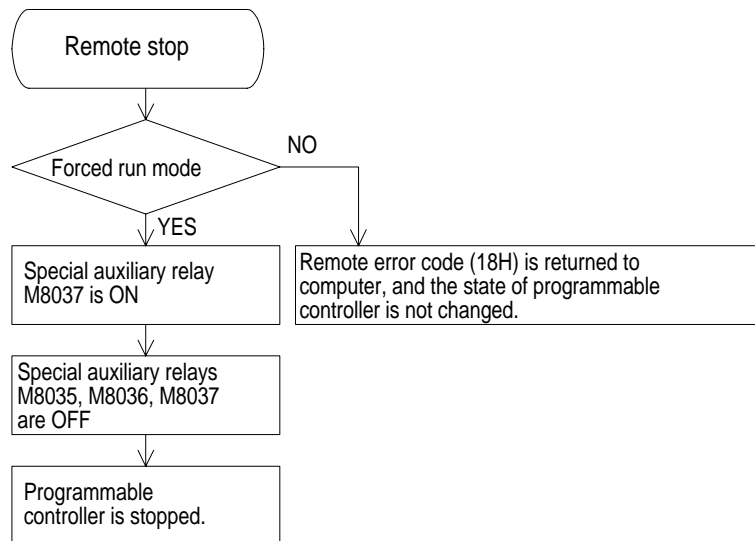


## 8.7 Remote RUN/STOP (RR, RS commands)

### 8.7.1 Operation of Remote RUN/STOP

When remote RUN/STOP is requested from the computer, the programmable controller forced run mode, and the special auxiliary relays M8035, M8036, M8037 are controlled as follows.

- Remote RUN**  
 When remote RUN (RR command) is requested, M8035 and M8036 are set ON at the programmable controller, and forced RUN mode becomes active; the programmable controller switching to RUN.  
 However, when remote run is executed while the programmable controller is running (forced or otherwise), the state is not changed, and the remote error code (18H) is returned to the computer.
- Remote STOP**  
 When remote STOP (RS command) is requested, M8037 is set ON at the programmable controller. This in turn resets M8035, M8036 and M8037 to OFF and forced RUN mode is disabled; the programmable controller switching to STOP.  
 However, when remote STOP is executes while the programmable controller is not in forced RUN mode, the state is not changed, and the remote error code (18H) is returned to the computer.



### 8.7.2 Conditions for Valid Execution of Remote RUN/STOP

The RUN terminal of the programmable controller is OFF, any built-in RUN/STOP switch is at STOP.

- Remote RUN**  
 The programmable controller should be stopped.
- Remote STOP**  
 The programmable controller should be in forced run mode.



#### Notes

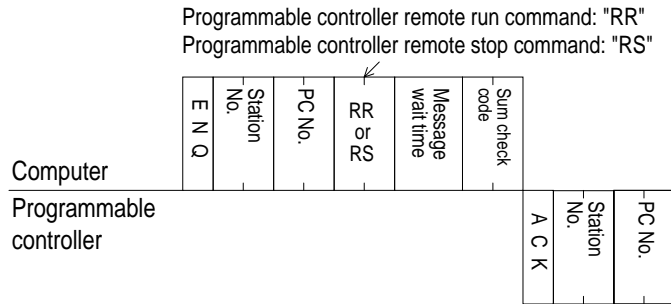
- Forced RUN mode is not restored after a power failure. When the programmable controller is in forced RUN mode, if the power source is turned off and on, the special auxiliary relays M8035, M8036, M8037 are all reset to OFF, and the programmable controller remains in STOP.



### 8.7.3 Control Specification and Examples of Remote RUN/STOP

#### 1) Control specification

Protocol format 1 is shown.



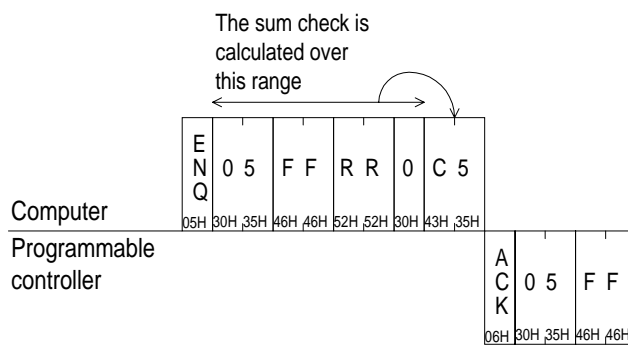
#### Notes

- The station number, PC number, number of devices, and sum check code are expressed in hexadecimal.

#### 2) Operation examples

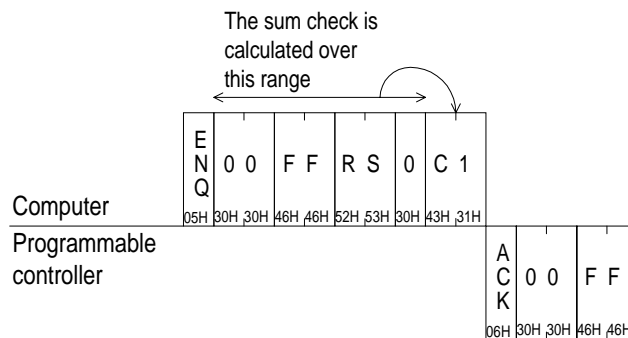
##### a) Example 1

To execute remote RUN at station No.5 (with a message wait time set to 0 ms).



##### b) Example 2

To execute remote STOP at station No.0 (with message wait time set to 0 ms).



## 8.8 Reading The Programmable Controller Type (PC command)

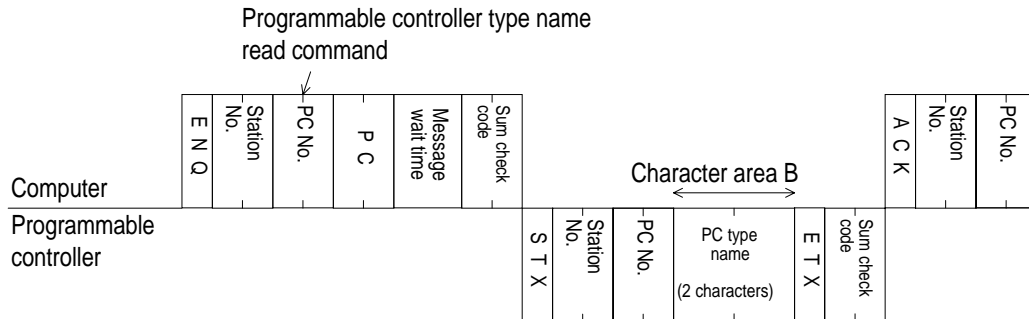
### 8.8.1 Type Codes

Programmable controller type	Type code (hex.)	Programmable controller type	Type code (hex.)
FX1S	F2H	A2USCPU	82H
FX0N	8EH	A2CPU-A1, A2USCPU-S1	83H
FX, FX2C	8DH	A3CPU, A3NCPU	A3H
FX1N	9EH	A3ACPU	94H
FX2N, FX2NC	9DH	A3HCPU, A3MCPU	A4H
A0J2HCPU	98H	A3UCPU	84H
A1CPU, A1NCPU	A1H	A4UCPU	85H
A1SCPU, A1SJCPU	98H	A52GCPU	9AH
A2CPU(-S1), A2NCPU(-S1), A2SCPU	A2H	A73CPU	A3H
A2ACPU	92H	A7LMS-F	A3H
A2ACPU-S1	93H	AJ72P25/R25	ABH
A2CCPU	9AH	AJ72LP25/BR15	8BH

### 8.8.2 Control Specification and Example

#### 1) Control specification

Protocol format 1 is shown.

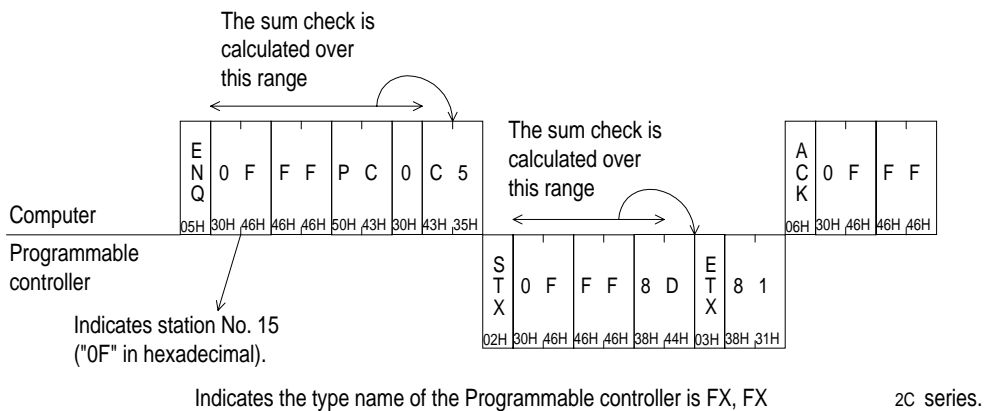


#### Notes

- The station number, PC number, number of devices, and sum check code are expressed in hexadecimal.

#### 2) Specification example

To read the type name from station No.15 (with message wait time set to 0 ms)



## 8.9 Global Function (GW command)

This function is to turn on and off the global operation flag at all stations in the multidrop link. For an FX series programmable controller this is special auxiliary M8126, and for an A series programmable controller, it is Xn2 of the computer link unit. This function can be used for initialization, resetting or simultaneous start/stop of all programmable controller stations.

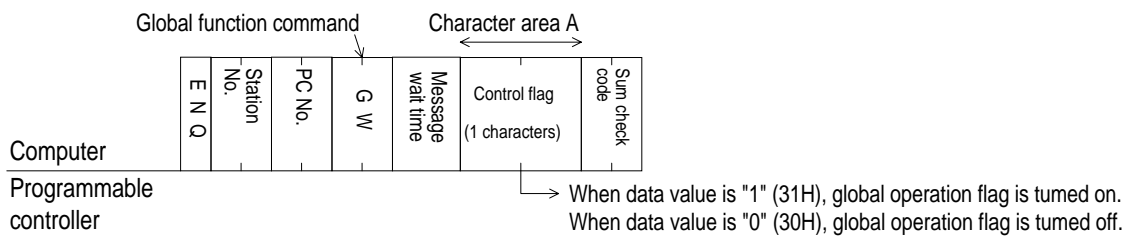
### 8.9.1 Control Specification and Example of Global Function

The global function is to turn on or off the special auxiliary relay M8126 (global operation flag) at all stations in the multidrop link.

- The station number specified in the control protocol must indicate all stations, and is hence specified as FFH ("FF"). If other than FFH is specified as the station number, the special auxiliary relay M8126 of the specified station is turned on/off.
- No reply is given by the programmable controller to this command.
- If the programmable controller power is turned off, the communication format changed, or the programmable controller is stopped, the special auxiliary relay M8126 of that station is turned off, and the global function operation is cleared.

#### 1) Control specification

Protocol format 1 is shown.

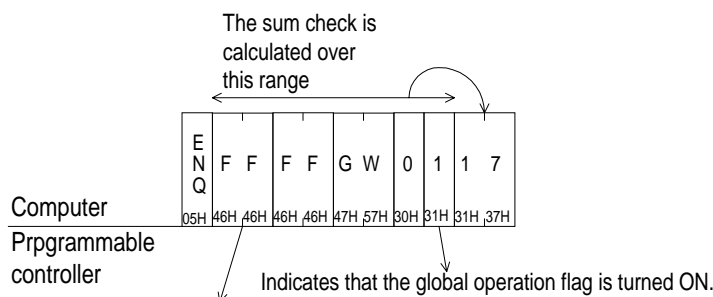


#### Notes

- The station number, PC number, number of devices, and sum check code are expressed in hexadecimal.

#### 2) Specification example

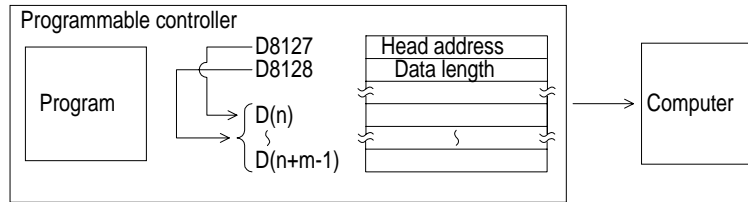
To turn on the global operation flag at all programmable controller stations in the computer link; auxiliary relay M8126 in an FX series PC station, and Xn2 in an A series programmable controller station.



"FF" is specified to indicate all stations.  
 For a specific station, specify the station number between "00" to "0F"  
 ("00" to "1F" for A series).

## 8.10 On-demand Function

Data transmission between the computer and programmable controller is usually initiated by the computer only. The on-demand function is used if there is a need to transmit data from the programmable controller to the computer. The range of data registers containing the data to be sent is specified in special data registers.



### Notes

- This function can only be used when the configuration of the computer and programmable controller is 1:1.

### 8.10.1 Special Devices Used in On-demand Function

The special data registers and auxiliary relays used in the on -demand function are explained in the following table.

Device	Name	Description
M8127	On-demand handshake signal	On during execution of on-demand ON: on-demand data being transmitted OFF: on-demand data transmission complete
M8128	On-demand error flag	On if there is error in specified value for data transmission in on-demand ON: error OFF: no error
M8129	Flag for specifying word or byte data format	Word/byte data format for on-demand data. ON: byte units (8-bits per data register) OFF: word units (16-bits per data register)
D8127	On-demand head device number register	The head device number of the data area in which the data to be transmitted is stored. Set by programmable controller's program.
D8128	On-demand data length register	The data length to be transmitted by on-demand. Set by programmable controller's program.

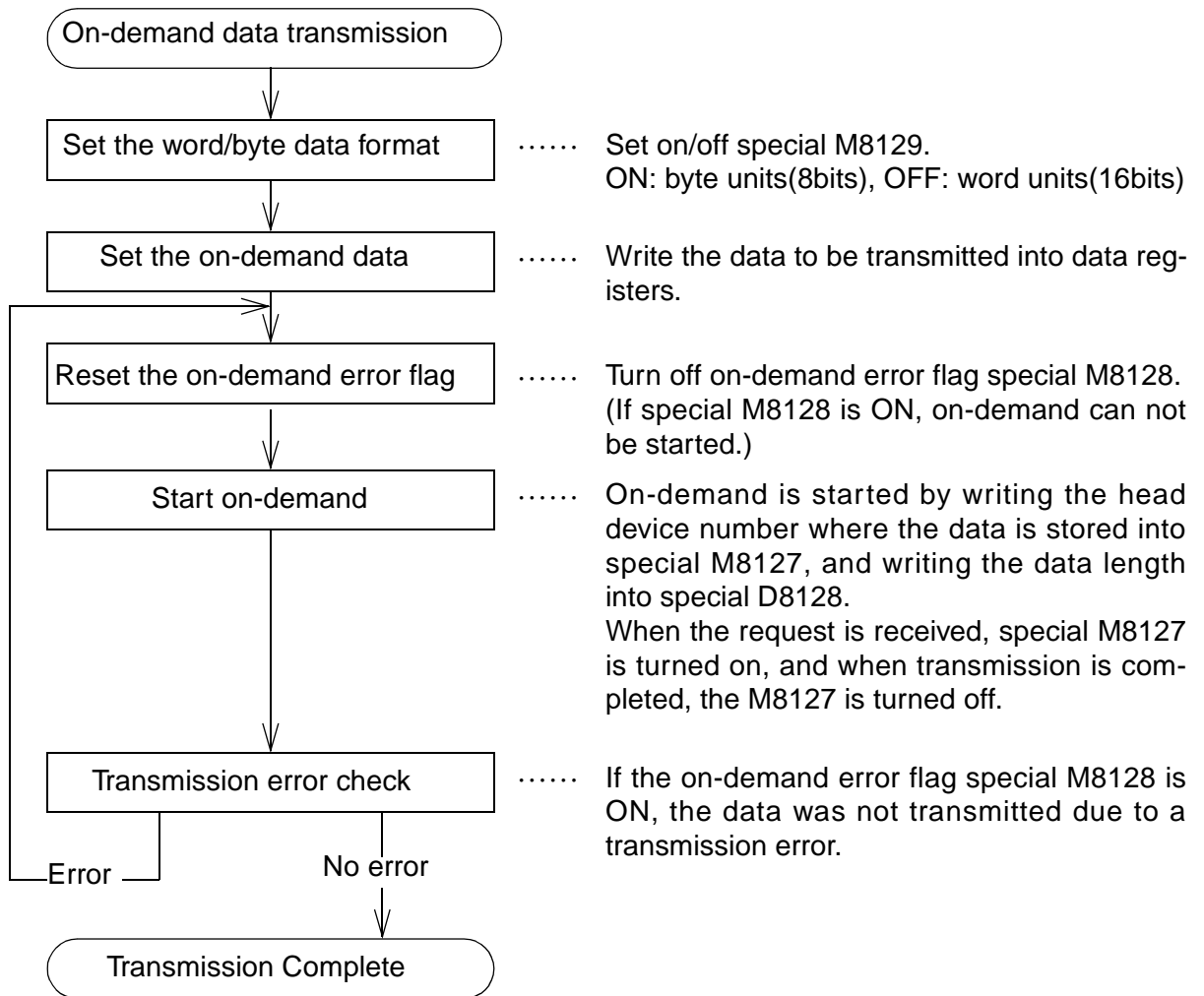


### Notes

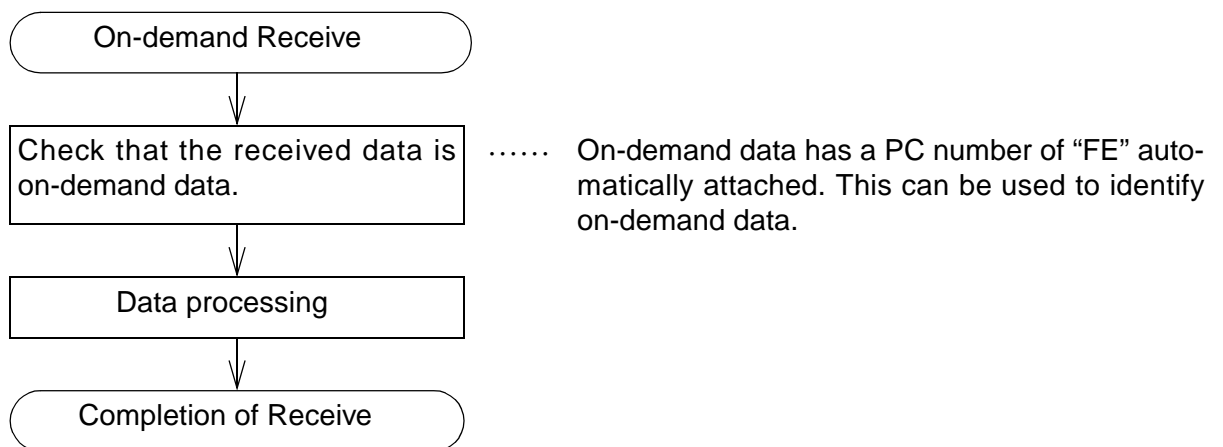
- The on-demand handshake signal is a signal which is turned on when data transmission to the computer is started from the programmable controller, and is turned off when transmission of the specified data is complete. This is used as an interlock so that multiple on-demand requests can not be issued simultaneously.

8.10.2 On-demand Control Protocol

1) Control protocol programmable controller

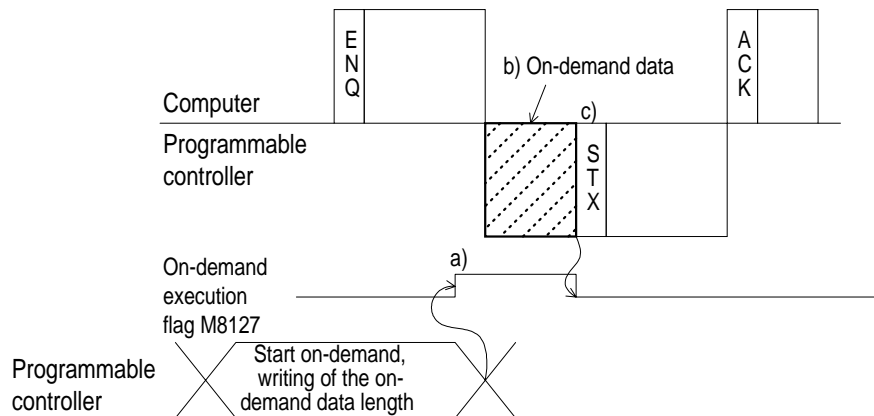


2) Control protocol at computer



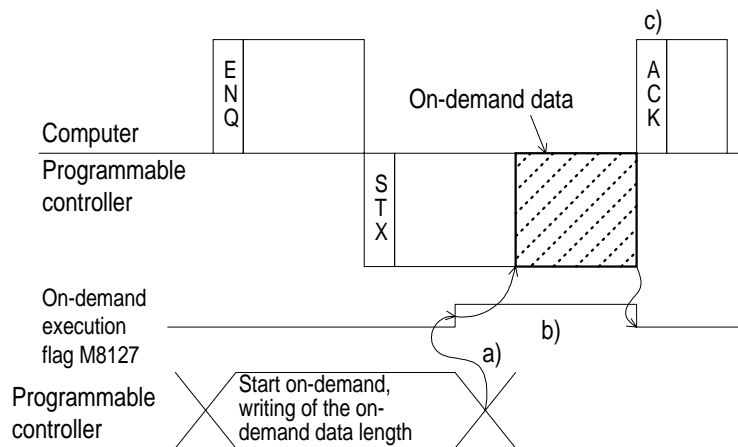
3 ) On-demand request time chart.

- When the computer is transmitting data



- a ) When on-demand is requested, the on-demand execution signal (special M8127) is immediately turned on.
- b ) Transmission of on-demand data is forced to wait until completion of reception of command data (ENQ-) from the computer.
- c ) Transmission of response data (STX-) to command data (ENQ-) is forced to wait until completion of transmission of on-demand data.

- When the computer is receiving data

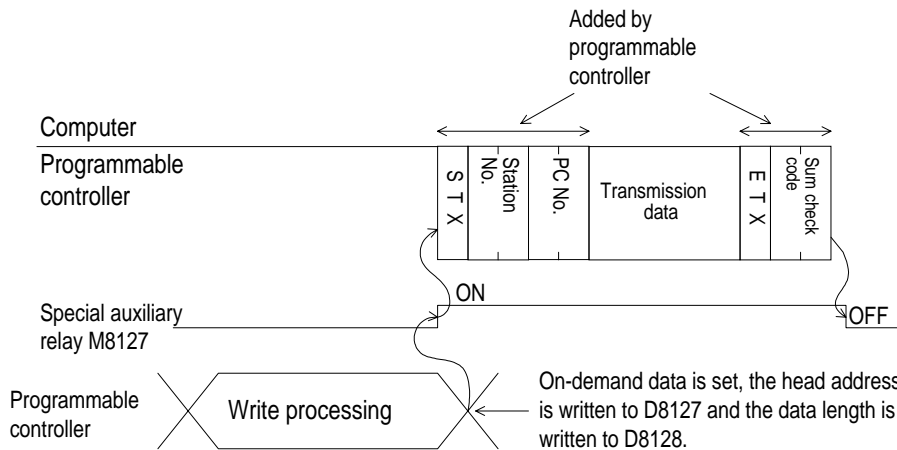


- a ) When on-demand is requested, the on-demand execution signal (special M8127) is immediately turned on.
- b ) Transmission of on-demand data is forced to wait until completion of transmission of response data (STX-) to the command data (ENQ-) from the computer.
- c ) Transmission of response data (ACK-) from the computer to the transmission of response data (STX-) from the programmable controller should be done after completion of reception of on-demand data.

### 8.10.3 Specification and Example of On-demand

#### 1) Command specification

Protocol format 1 is shown.



#### Notes

- Specify the data length so as to satisfy the following condition.  
Data length ≤ 40H (64 points)(13 points for FX<sub>0N</sub>)
- The PC number, "FE" is added by the programmable controller.
- The station number, PC number, number of devices, and sum check code are expressed in hexadecimal.



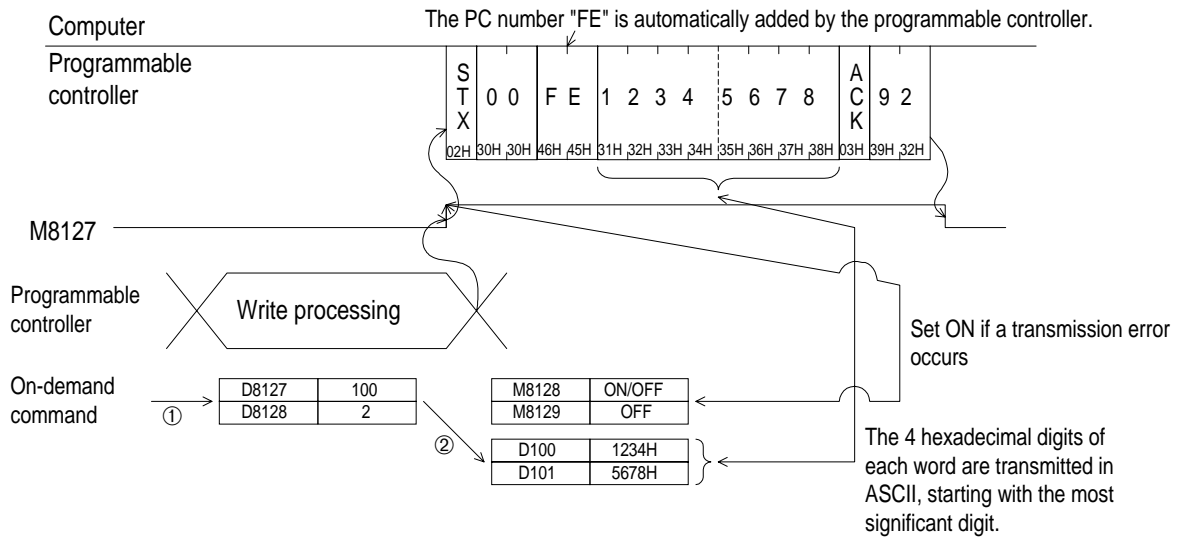
#### Important

- Don't use the on-demand function unless the system configuration is 1:1.
- If the on-demand function is used in a multidrop system in which the computer and the programmable controller are connected in 1:n configuration, normal communication data in control protocol formats 1 to 4, and on-demand data become confused, and normal data transmission is not possible.

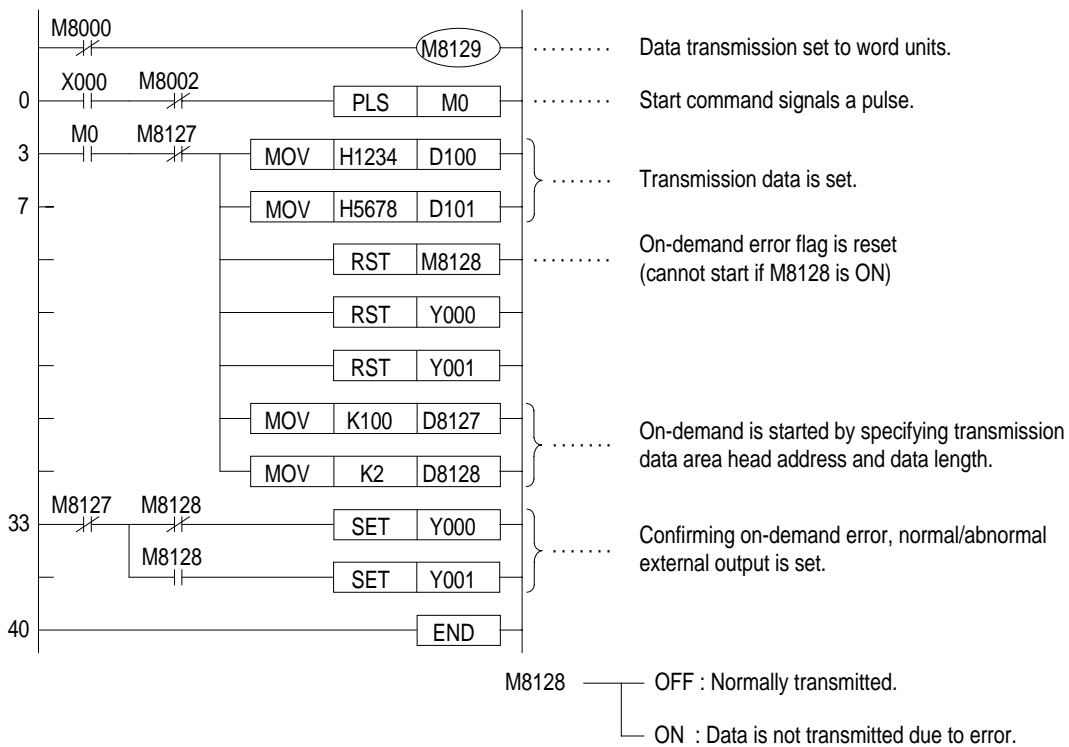


### 2) Specification Example 1

To transmit the data stored in data registers D100 and D101 from the programmable controller (when the station number is 0, and data is specified in word units)

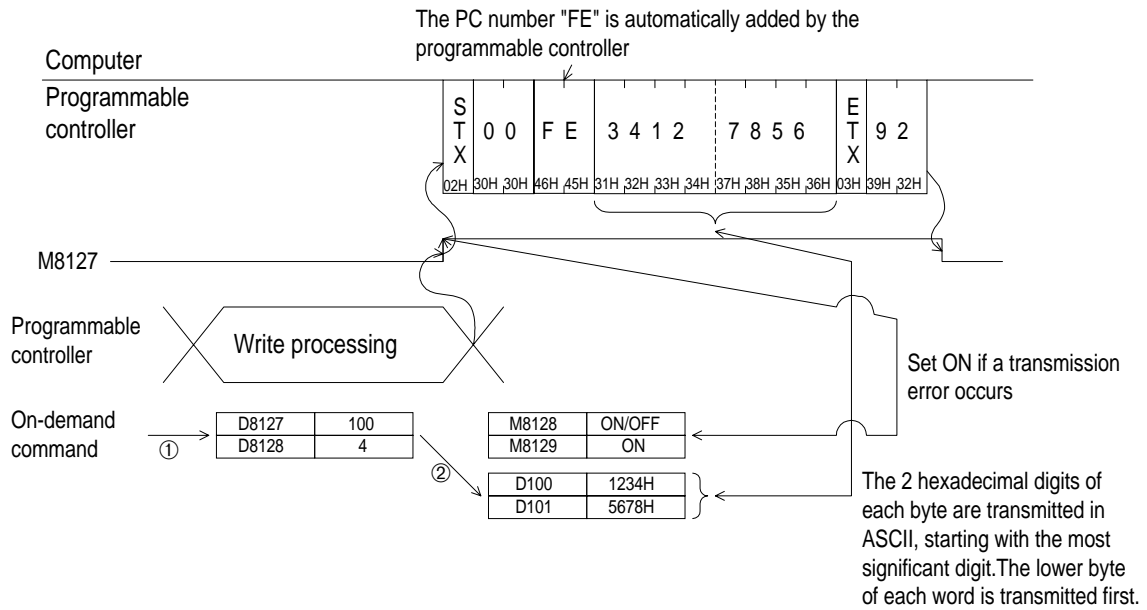


### Program example

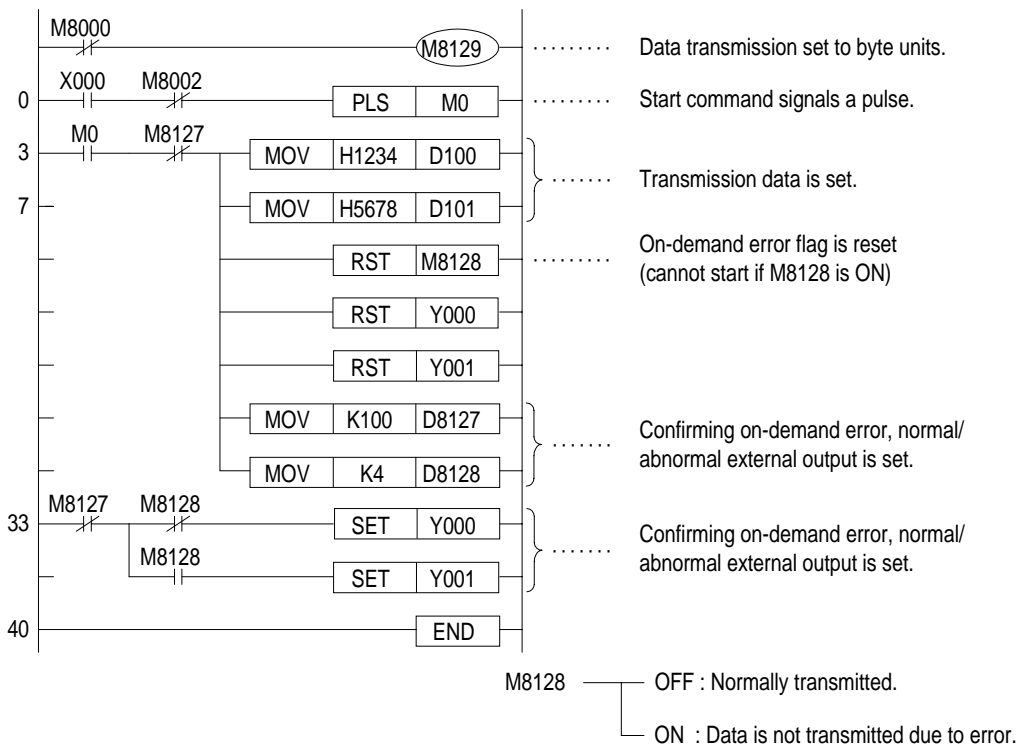


### 3) Specification Example 2

To transmit the data stored in data registers D100 and D101 from the programmable controller (when the station number is 0, and data is specified in byte units)



### Program example

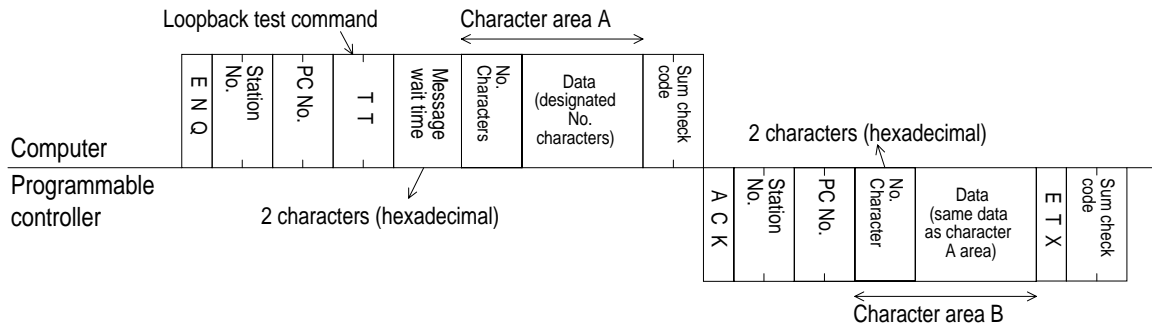


## 8.11 Loopback Test

The loopback test is the function for testing if communication between the computer and programmable controller is operating as normal or not.

### 1) Command Specification

Protocol format 1 is shown.

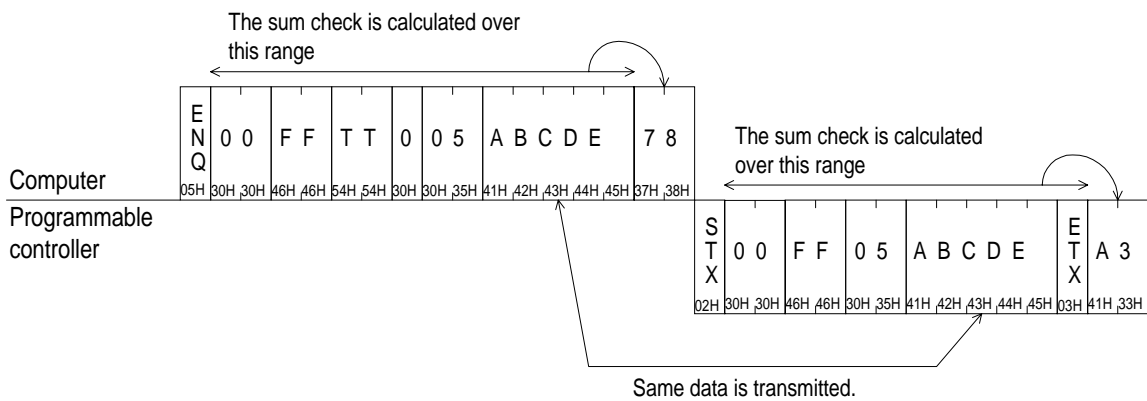


#### Notes

- Specify the number of characters so as to satisfy the following condition.
  - $1 \leq \text{No.characters} \leq 254$  (25 for FX<sub>0N</sub>)
- The station number, PC number, number of devices, and sum check code are expressed in hexadecimal.

### 2) Specification example

To test the Loopback with data “ABCDE” at station No.0 (with message wait time set to 0 ms)



# MEMO

1	Introduction
2	Wiring
3	Specifications
4	N:N network
5	Parallel link
6	Communication format (D8120)
7	Computer link
8	Commands (for computer link)
9	RS instruction
10	FX2N-232IF
11	Optional programming port
12	Diagnostics
A	Further Information Manual List
B	ASCII code Lists

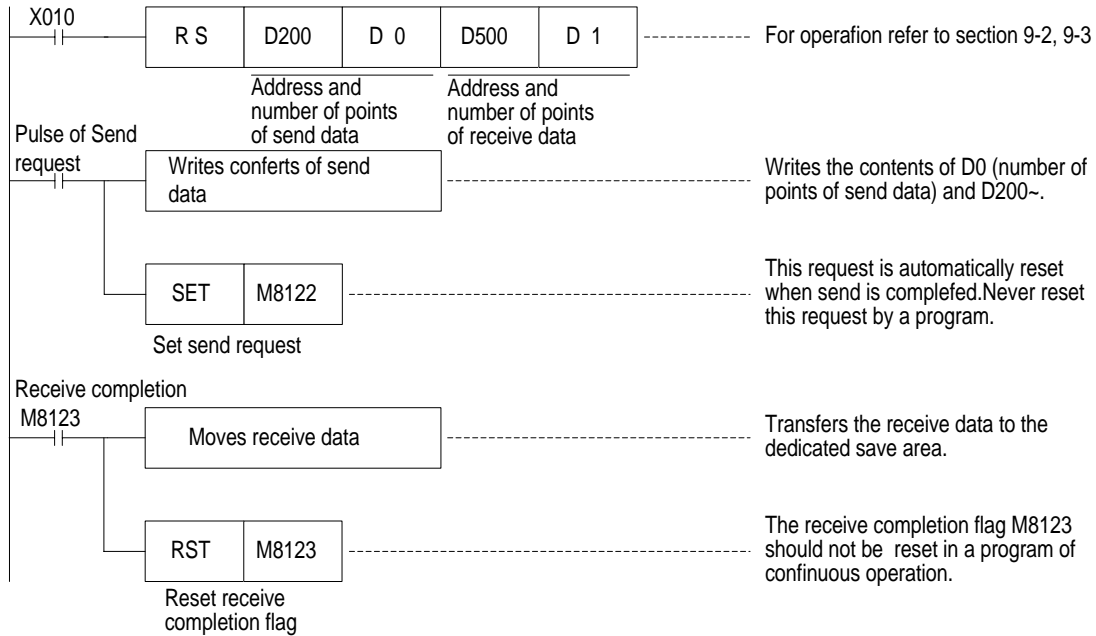




9.1.2 Operation of RS Instruction

An RS instruction specifies the head address and the number of points of the send data sent from a programmable controller as well as the head address for receive data save destination and the maximum number of acceptable number of points of receive data.

The data send/receive sequence using an RS instruction is described below.



**Note;**

Though an RS instruction can be used in a program as many times as you want, make sure that only one RS instruction is driven at a time (Two or more RS instructions cannot be turned on at one time.). For changeover, assure the OFF time is equivalent to or longer than one cycle time.

In the FX0N, FX1S, FX1N, FX and FX2C, assure the OFF time is equivalent to or longer than two scan times between completion of send and start of receive or between completion of receive and start of send. In the FX2N and FX2NC whose version is earlier than V 2.00, assure the OFF time is equivalent to or longer than 100 μs between completion of send and start of receive or between completion of receive and start of send. (Refer to Paragraph 9.2.1.)

This OFF time is not required in the FX2N, FX2NC whose version is V 2.00 or later because full duplex communication is enabled.



While an RS instruction is driven, modification of the setting of the D8120 is not accepted. Turn off the RS instruction, then modify the setting.



### 9.1.3 Related Flags and Data Registers

#### 1) Send request <M8122>

When M8122 is set by a pulse instruction in the receive wait status or the receive completion status, data from D200 to D0 is sent. When send is completed, M8122 is automatically reset. When the RS instruction drive input X010 is turned on, the programmable controller is set to the receive wait status.



#### Note;

In the FX, FX2C, FX0N, FX1S, FX1N and earlier versions than V 2.00 of the FX2NC and FX2N, pay attention to the following points.

While the programmable controller is receiving data, send is only performed after receive is completed. During this time, the send wait flag M8121 is actuated.

After the head data is received and before the receive completion flag M8123 is turned on, it is regarded that a receive is being performed. If the send request is given while the head data is received, data may be confused.

#### 2) Receive completion <M8123>

- When the receive completion flag M8123 is turned on, transfer the receive data to an other save destination, then reset the M8123.
- When M8123 is reset, the programmable controller is set to the receive wait status again. To reset M8123, use a sequence as described on the previous page. When RS instruction drive input X010 is turned on, the programmable controller is set to the receive wait status.
- When an RS instruction is executed while D1 is "0", M8123 (execution completion flag) is not actuated and the programmable controller is not set to the receive wait status. If the programmable controller is set from this status to the receive wait status, set D1 to a value equivalent to or smaller than "1", then turn off M8123 (from the ON status).

#### 3) Carrier detection <M8124>

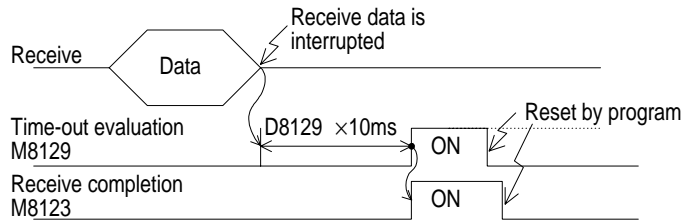
When the CD (DCD) signal (channel receive carrier detection) is received (from the modem to the programmable controller) when the line of the modem is established, M8124 is turned on. While M8124 is turned off, the dial No. can be sent. While M8124 is turned on, data can be sent and received.

4 ) Time-out evaluation <M8129> (Valid in the FX2N, FX2NC programmable controller earlier than V2.00)

If receive is not restarted within the time specified by D8129 after the receive data is interrupted on the midway, it is regarded as time-out, M8129 is turned on, and receive is completed (Refer to the figure below.).

M8129 is not automatically turned off. Reset it using a sequence program.

When this function is used, data can be received without using a terminator even in equipment in which the number of send data may be changed.

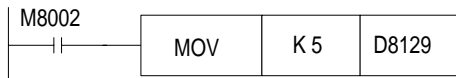


5 ) Time-out evaluation time <D8129> (Valid in V 2.00 or later of the FX2N, FX2NC programmable controller)

Set the time used for time-out evaluation described above. The value set here multiplied by "10 ms" is regarded as the evaluation time.

When "0" is set to D8129, the evaluation time is regarded as "100 ms".

Example: When the time-out evaluation time is set to "50 ms"



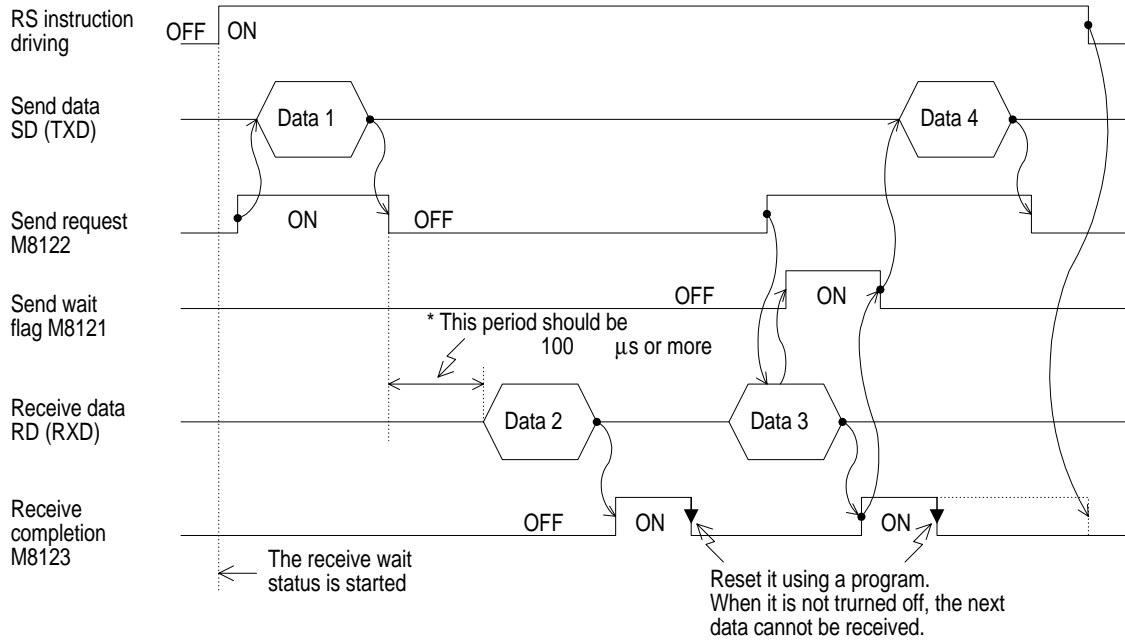
## 9.2 Hardware Hand Shake Operation

### 9.2.1 FX, FX2C, FX0N, FX1S, FX1N and FX2N (earlier than V 2.00)

In the FX, FX2C, FX0N, FX1S, FX1N and FX2N (earlier than V 2.00), half duplex communication is performed.

Accordingly, when the send flag is turned on while data is received, the send wait flag M8121 is turned on. When the receive completion flag is changed from OFF to ON, send is started.

1) Do not use hardware hand shake .....D8120  $\langle(b12, b11, b10) = (0, 0, 0)\rangle$

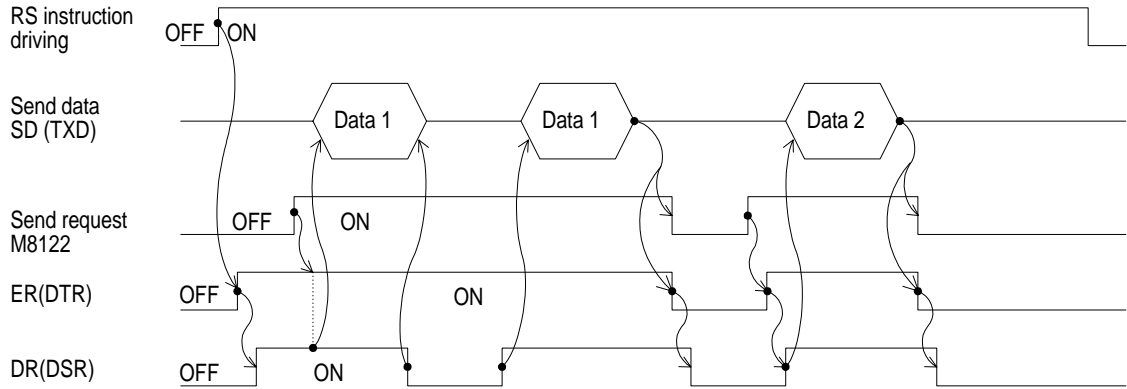


\* In FX1S, FX1N, FX0N, FX and FX2C series, the period should be 2 scan time or more.

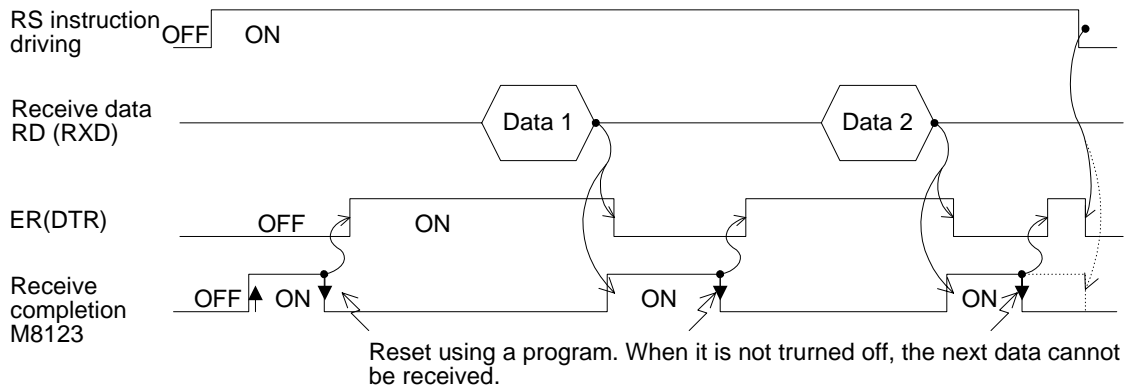
2 ) Use terminal mode of control line

This mode is available for send only or receive only.

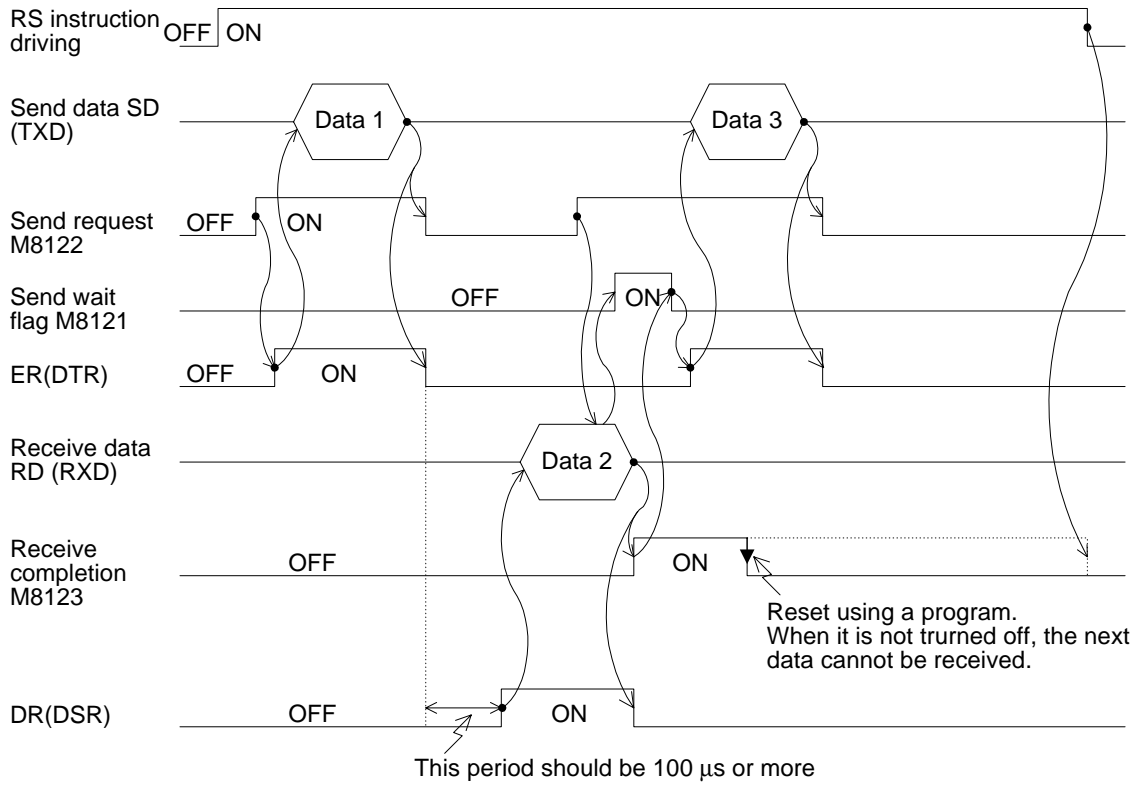
a ) Send only



b ) Receive only

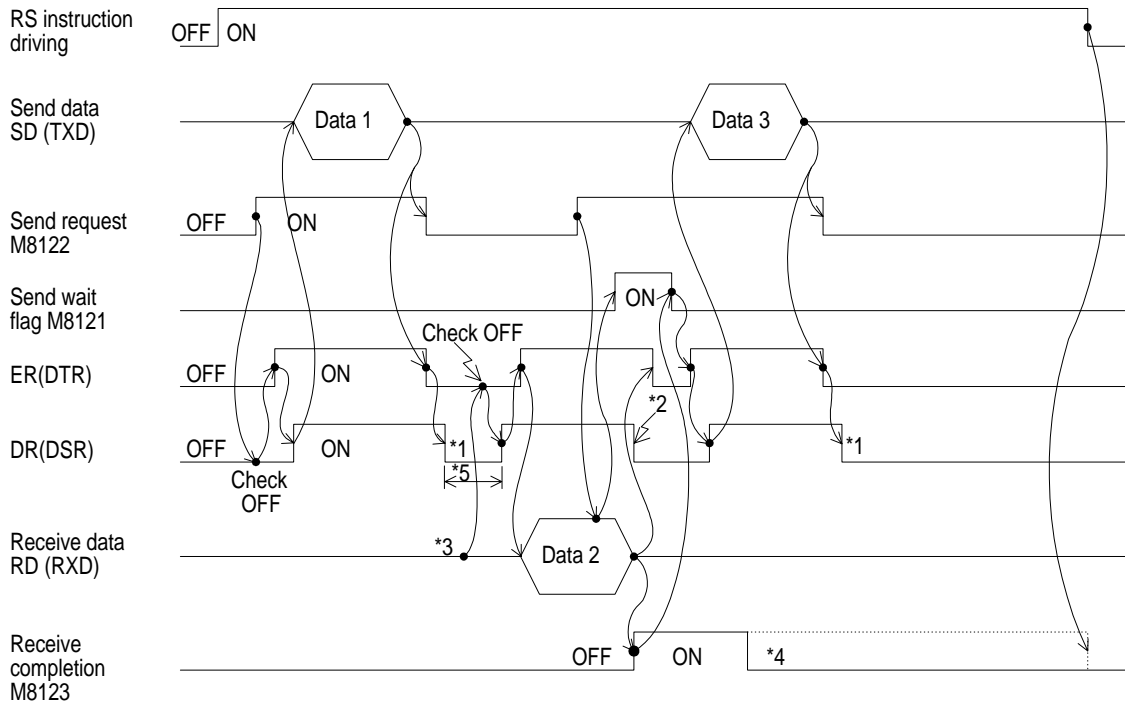


3 ) Use normal mode 1 of control line



\* When using FX1S, FX1N, FX0N, FX, or FX2C, this period should be 2 scan times or more.

4 ) Use normal mode 2 of control line (FX, FX2c only)



- \*1 Please turn off ER (DTR) or DR (DSR) later.
- \*2 When finished to send data, please turn off DR (DSR). When it is not turned off, the next data cannot be communicated.
- \*3 When sending data to the programmable controller, please check to turn off the ER (DTR) signal.
- \*4 Reset using a program. When it is not turned off, the next data cannot be received.
- \*5 This period should be 2 scan times or more.

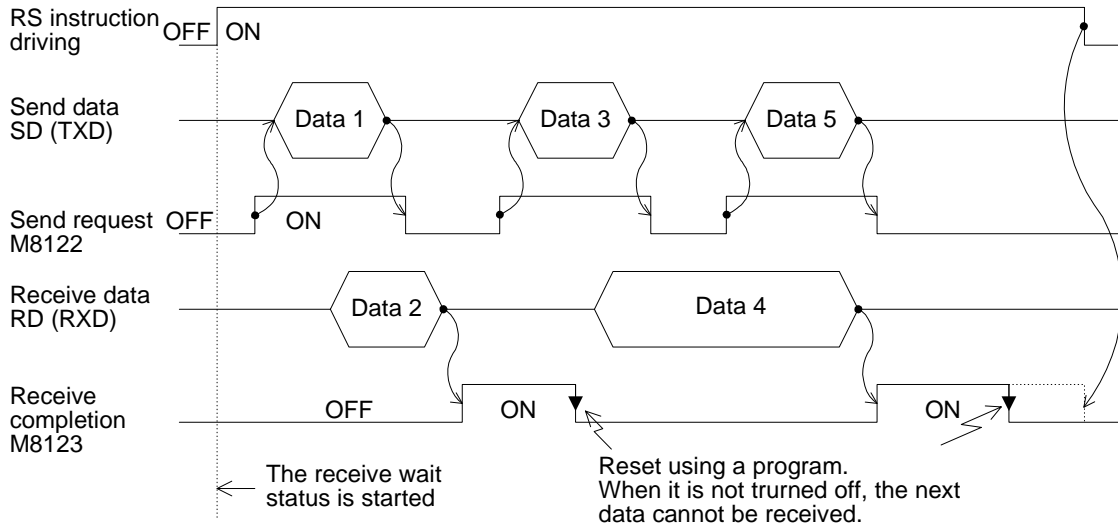
**9.2.2 FX2N, FX2NC (V 2.00 or later)**

In the FX2N of V 2.00 or later, full duplex communication is performed. When performing half duplex communication, pay rigid attention so that the send flag is not turned on while data is received. If it is turned on, send is started. As the result, the counterpart equipment may not be able to receive data or the send/receive data may be damaged.

In the full duplex communication, the send wait flag M8121 is not turned on.

In the version V 2.00 or later, the programming protocol (Section 12) is supported while an RS instruction remains OFF.

1 ) Do not use hardware hand shake

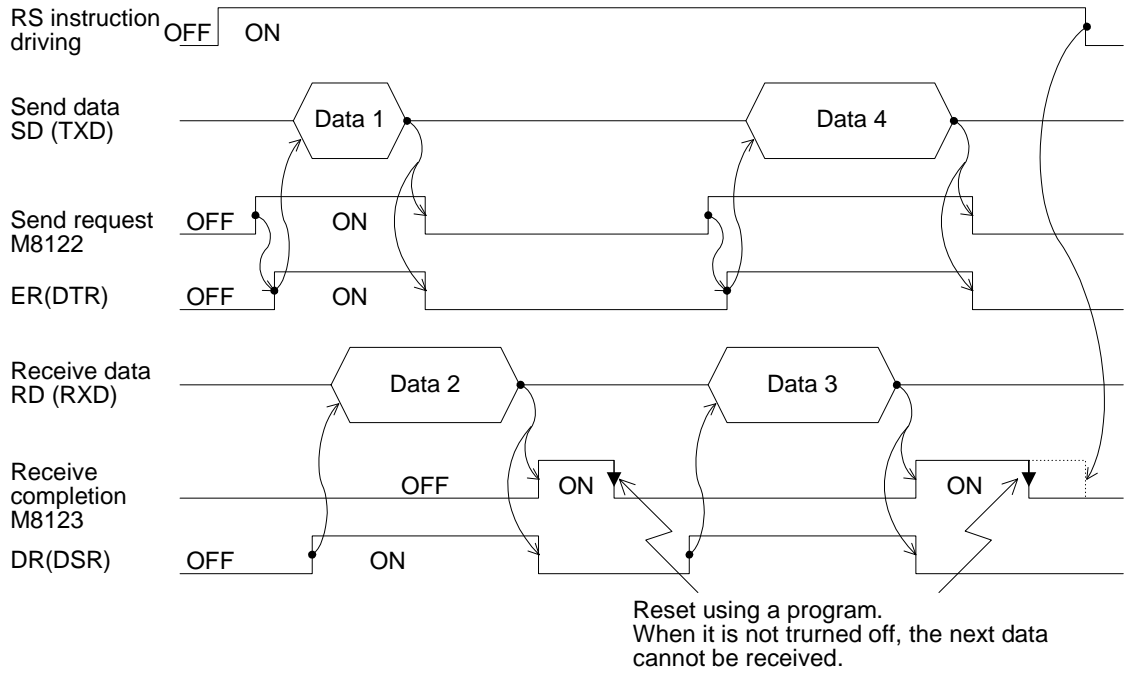


2 ) Use terminal mode of control line

This mode is available for send only or receive only.

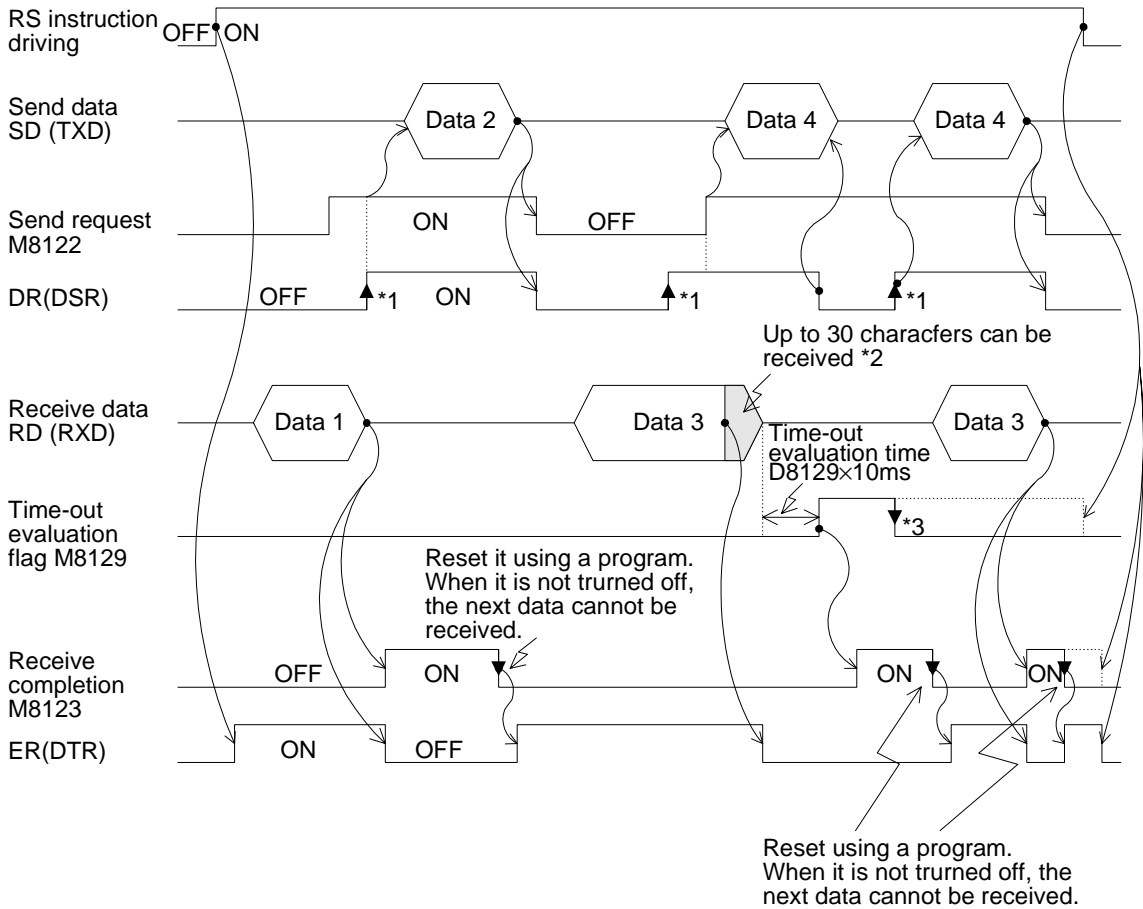
The control line and the transmission sequence are equivalent to those in the FX2N series whose version is earlier than V 2.00. Refer to paragraph 9.2.1.

3 ) Use normal mode 1 of control line





4) Use interlink mode of control line

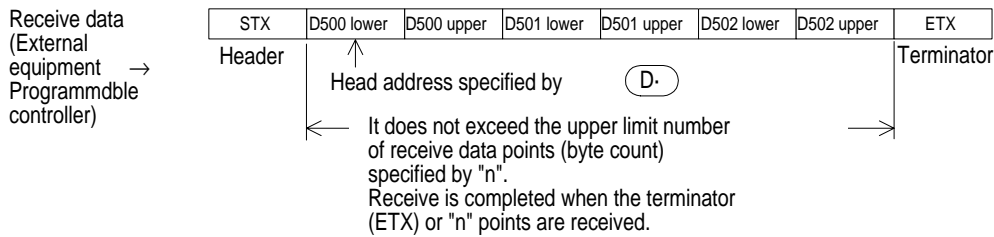
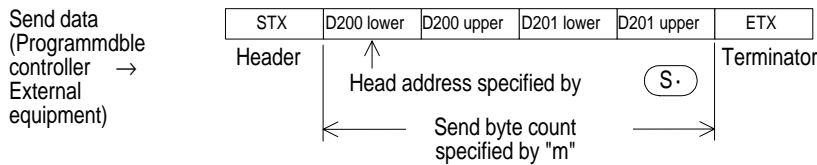
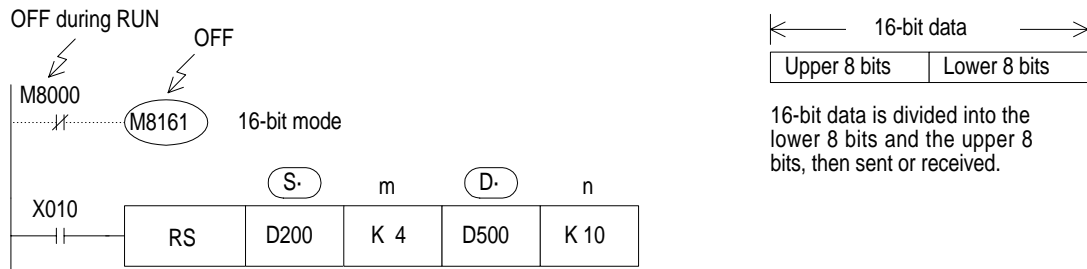


- \*1 While the counterpart equipment is ready to receive, turn ON the DR (DSR) signal. While both the DR (DSR) signal and the send request are turned on, the FX<sub>2N</sub> sends the data.
- \*2 In the interlink mode, the programmable controller turns OFF the ER (DTR) signal before the 30th character receive buffer limit, and requests the counterpart equipment to stop send. After this send request, up to 30 characters can be received. The 31st and later characters cannot be received. Stop send temporarily, then send the remaining data after the ER (DTR) signal is turned ON again. When send is stopped, receive is completed after the time-out evaluation time is expired. When send is not stopped, receive is completed after the final character of the send data is received or the 30th character is received. Therefore, receive points need to set 30th or more.
- \*3 Reset using a sequence program. If it is not turned off, the next data cannot be received.

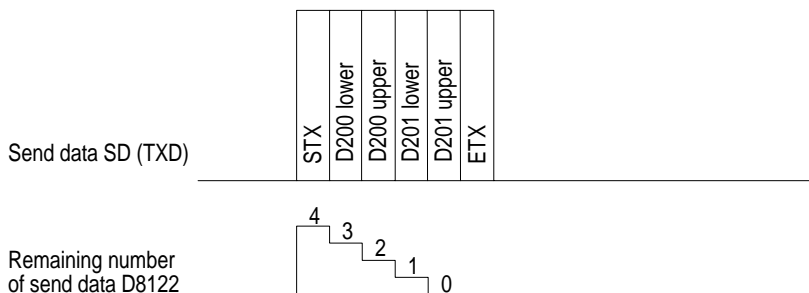
## 9.3 Number of Communication Data

### 9.3.1 Deal with 16 bits Data

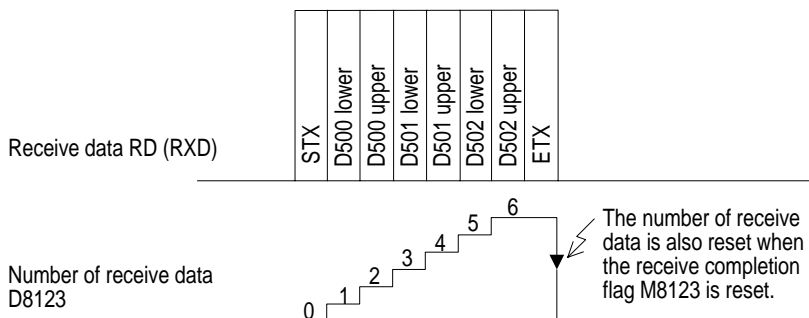
When M8161 is set to OFF (M8161 is shared by an ASCII instruction, a HEX instruction and a CCD instruction.)



#### 1) Send data and remaining number of send data

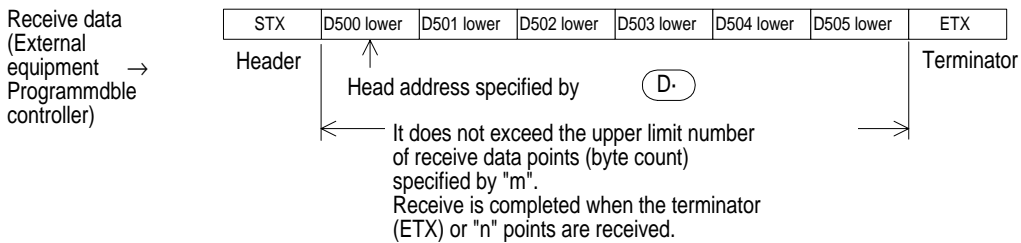
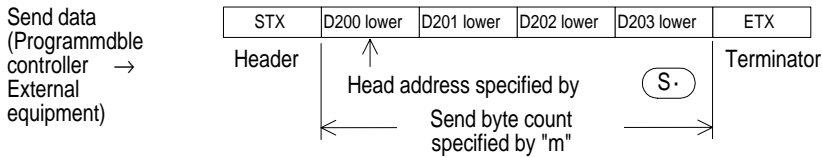
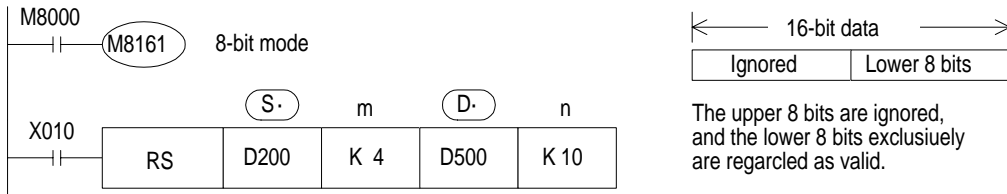


#### 2) Receive data and number of receive data

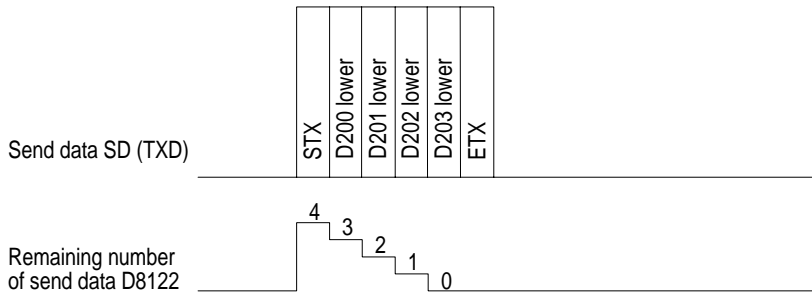


### 9.3.2 Deal with 8 bits Data

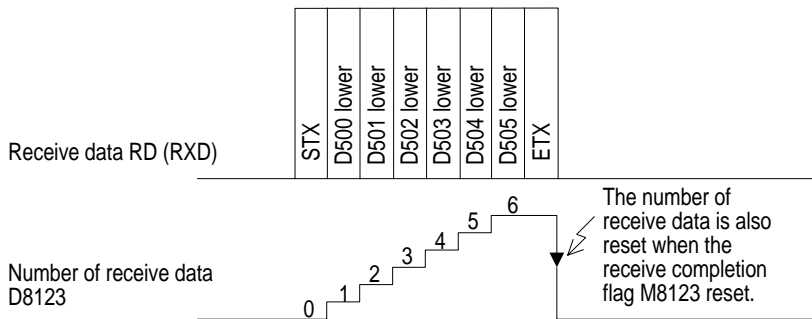
When M8161 is set to ON (M8161 is shared by an ASCII instruction, a HEX instruction and a CCD instruction.)



#### 1) Send data and remaining number of send data



#### 2) Receive data and number of receive data

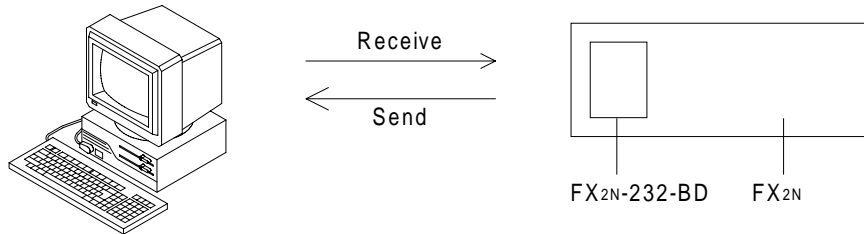


## 9.4 Example Program

### 9.4.1 Personal Computer

When a programmable controller is connected to a personal computer, and data send/receive is performed by the programmable controller

#### 1) System configuration



Use a communication cable suitable to the arrangement of connector pins of the personal computer used. (For the representative wiring, refer to chapter 2.)

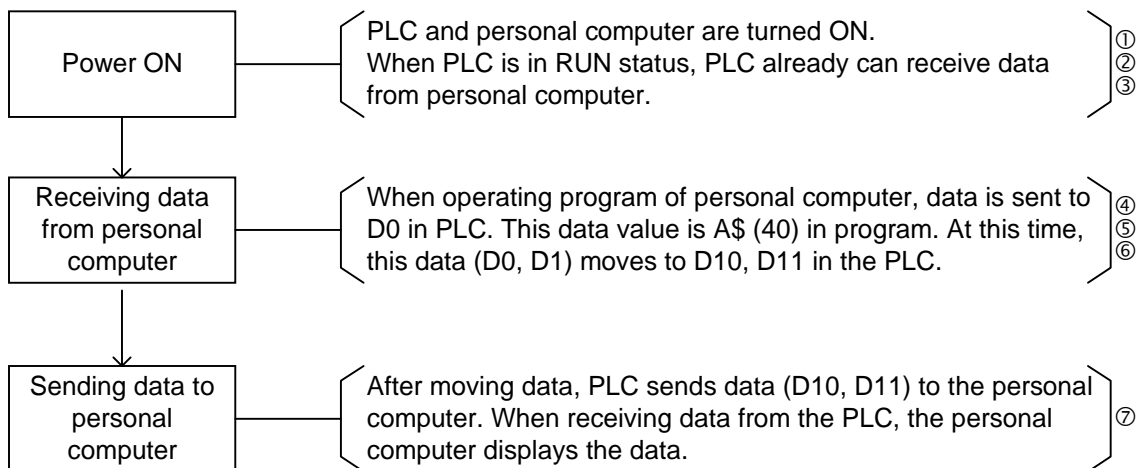
#### 2) Communication format

If the communication format of the commercial communication software used cannot realize the following setting, set the programmable controller in accordance with the commercial communication software.

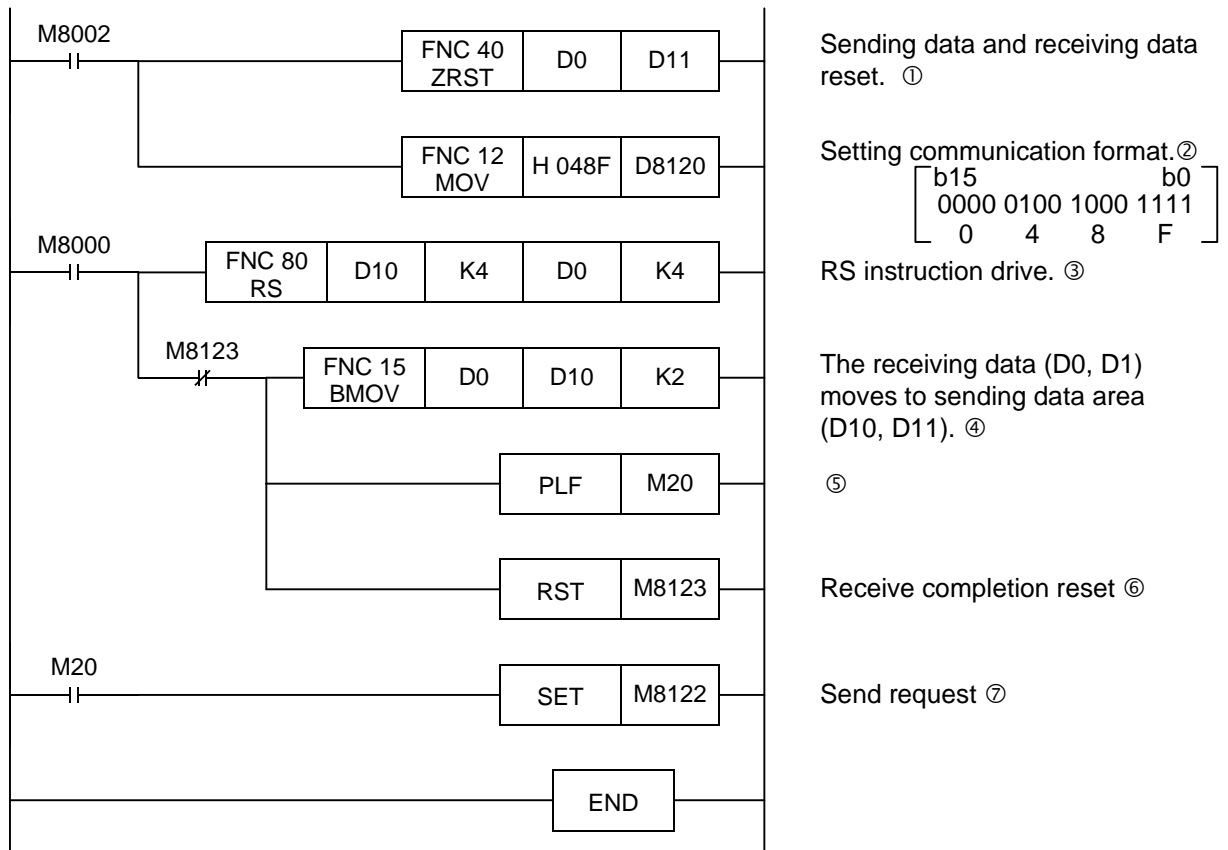
(The communication format in this example is set as follows.)

Data length	8 bit
Parity	Even
Stop bit	2 bit
Baud rate	9,600 bps
Header	None
Terminator	None
Control line	Normal mode 1
Protocol	No protocol

#### 3) Operation



4 ) Example program of programmable controller



5 ) Example program of computer

This is an example of a BASIC program for communication of RS instruction communication (no protocol communication). This BASIC program is written by N88BASIC of Nippon Electric Corporation.

```

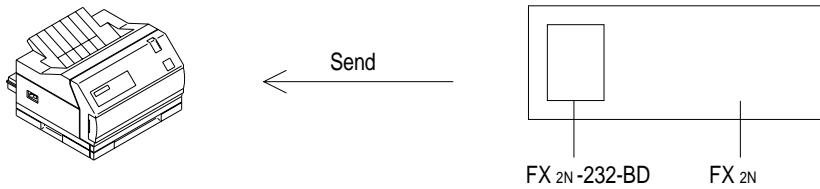
10 CLOSE #1:A$="40"           Text of ASCII stored.
20 OPEN "COM1:" AS #1        COM1 port is opened.
30 PRINT #1,A$              Data is sent to PLC.
40 CLOSE #1:FOR I=J TO 2000:NEXT *1
50 OPEN "COM1:" AS #1
60 FOR I=1 TO 100 *1
70 IF LOC(1)>=4 GOTO 100     Length of received data is checked.
80 NEXT
90 CLOSE #1:PRINT "TIME OUT ERROR":END
100 B$=INPUT$(LOC(1),#1)
110 PRINT B$                 Received data is displayed.
120 END
    
```

\*1 This counter is used for waiting time of receiving data from PLC. Please change setting value of counter for personal computer CPU speed.

9.4.2 Printer

Connecting FX<sub>2N</sub>-232-BD and printer, and printing out the data send from the programmable controller.

1) System configuration



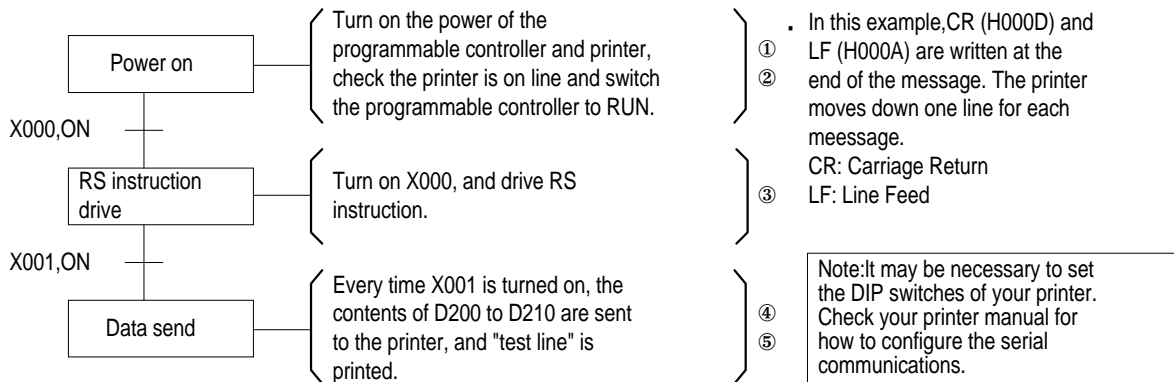
Use a communication cable suitable to the arrangement of connector pins of the printer used. (For the representative wiring, refer to chapter 2.)

2) Communication format

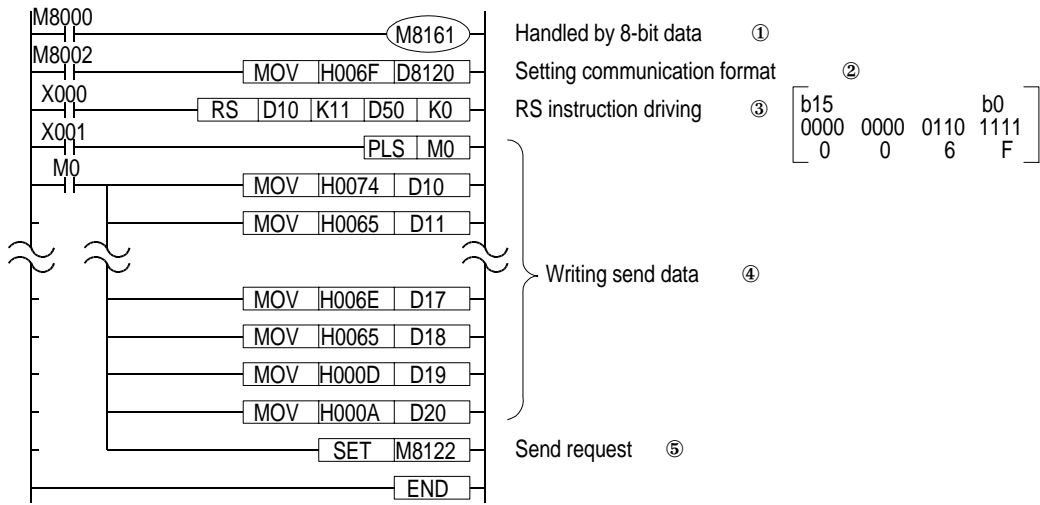
Let the communication format of the programmable controller be in accordance with that of the printer used. (The communication format in this example is set as follows.)

Data length	8 bit
Parity	Even
Stop bit	2 bit
Baud rate	2,400 bps
Header	None
Terminator	None
Control line	No use
Protocol	No protocol

3) Operation



4 ) Example program



## 9.5 Supporting RS Instruction and Programming Protocol

When using RS instruction in conjunction with the FX<sub>2N</sub>-232-BD or FX<sub>0N</sub>-232ADP, the user can switch between using no protocol communication and the programming tool (programming protocol) under the following conditions:

Accordingly, when data is received from counterpart equipment while an RS instruction remains OFF, “NAK” will be sent back to the counterpart equipment.

### 9.5.1 Programmable Controller and Version

	Supporting Version
FX <sub>2N</sub>	V2.01 or more
FX <sub>2NC</sub>	All products (V2.01 or more)

### 9.5.2 Operating Conditions and Format Set Content

The programmable controller can change from using no protocol communication to programming protocol (and back) by manipulating the RS instruction and Register D8120 and shown below.

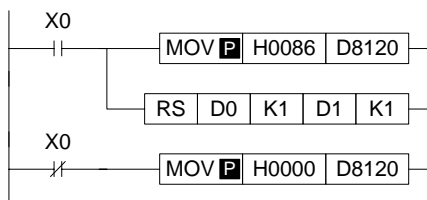
- 1) With the RS instruction On, move the data choices shown below into the Register D8120 to use no protocol communication.

**Table: Set communication format (D8120)**

Item	Content			
	H0086	H0186	H0286	H0386
Data length	7 Bit			
Parity bit	Even number (EVEN)			
Stop bit	1 Bit			
Baud rate (bps)	9600 bps			
Header	Off	On	Off	On
Terminator	Off		On	

- 2) To use programming protocol, turn the RS instruction Off and move the data H0000 into the communication format Register D8120. When the programmable controller is taken out of RUN mode (by FX-PCS/WIN-E Software or the front panel switch), complete editing and program downloads can be accomplished. On line changes can be performed with the programmable controller in Run Mode.

Example of changing the communication format (D8120) between H0086 and H0000. The programmable controller is first set for no protocol communication using RS instruction.





1	Introduction
2	Wiring
3	Specifications
4	N:N network
5	Parallel link
6	Communication format (D8120)
7	Computer link
8	Commands (for computer link)
9	RS instruction
10	FX <sub>2N</sub> -232IF
11	Optional programming port
12	Diagnostics
A	Further Information Manual List
B	ASCII code Lists



# 10. FX<sub>2N</sub>-232IF

## 10.1 Introduction

The RS232C interface block FX<sub>2N</sub>-232IF (hereinafter referred to as “232IF”) is connected to the FX<sub>1N</sub>, FX<sub>2N</sub>, FX<sub>2NC</sub> programmable controller to realize full duplex serial data communication with another RS232C interface such as a personal computer, bar code reader, printer, etc.

### 10.1.1 Outline of Product

- 1) Applicable programmable controller  
The 232IF can be connected as a special block of the FX<sub>1N</sub>, FX<sub>2N</sub>, FX<sub>2NC</sub> programmable controller.
- 2) Control instructions  
Send/receive data is received and sent and diversified control commands are manipulated using the FROM/TO instruction.
- 3) Number of I/O points and connection method  
The number of I/O points occupied is 8 in all (either input or output). However the capacity of the 5 V power supplied from the programmable controller is limited.  
The current consumption of the 5 V power of the 232IF is 40 mA. Make sure that the total current consumption of the 5 V power including other special blocks is equivalent to or less than that available.
- 4) Communication method  
Full duplex start-stop synchronization and no protocol procedure are used. The communication format can be specified using the buffer memories (BFMs).
- 5) Send/receive buffer  
The send/receive buffer can accommodate 512 bytes/256 words.  
When the RS232C interlink connection mode is used, data exceeding 512 bytes/256 words can also be received.
- 6) ASCII/HEX conversion function  
The function to convert and send a hexadecimal numeric (0 to F) saved in the send data buffer as well as the function to convert a received ASCII code into a hexadecimal numeric (0 to F) and save it to the receive buffer are provided.

## 10.2 Allocation of Buffer Memories (BFM's)

The RS232C interface block FX<sub>2N</sub>-232IF(232IF) transmits data with the programmable controller via the buffer memories BFM's (16-bit RAM memories) in the 232IF. FNC78 (FROM) and FNC79 (TO) instructions are used to read and write the buffer memories.

### 10.2.1 BFM List

BFM No.	Name	Setting range	Initial value	R:For read W:For write
#0	Communication format	—	0087H	W
#1	Command	—	0	W
#2	Receive upper limit byte count	1 to 512 (when data length is 16 bits) 1 to 256 (when data length is 8 bits) "0" is treated as "512" or "256".	0	W
#3	Receive time-out time	1 to 32,767 (X10 ms) "0" eliminates time-out time.	0	W
#4	Send header, lower 2 bytes	4 bytes max., zero suppression	0 (no header)	W
#5	Send header, upper 2 bytes		0	
#6	Send terminator, lower 2 bytes	4 bytes max., zero suppression	0 (no terminator)	W
#7	Send terminator, upper 2 bytes		0	
#8	Receive header, lower 2 bytes	4 bytes max., zero suppression	0 (no header)	W
#9	Receive header, upper 2 bytes		0	
#10	Receive terminator, lower 2 bytes	4 bytes max., zero suppression	0 (no terminator)	W
#11	Receive terminator, upper 2 bytes		0	
#12	Receive suspension waiting time (in interlink connection)	0 to 32,327 (X10 ms)	0	W
#13	Number of remaining send data	0 to 512 (when data length is 16 bits) 0 to 256 (when data length is 8 bits)	0	R
#14	Number of receive buffers	0 to 256 + 15 *1	0	R
#15	Send sum result	—	0	R
#16	Receive sum result	—	0	R

Note : "W : For write" can be used for read also. Undefined BFM Nos. are not allowed to be used in program.

\*1 : Spare buffers used in the interlink connection mode.

BFM No.	Name	Setting range	Initial value	R:For read W:For write
#20	Time from CS ON to send start	0 to 32,327 (X 10 ms)	0	W
#21	Time from completion of actual send to RS OFF (completion flag ON)	0 to 32,327 (X 10 ms)	0	W
#28	Status	—	0	R
#29	Error code	—	0	R
#30	Model code	—	K7030	R
#1000	Send byte count	0 to 512 (when data length is 16 bits) 0 to 256 (when data length is 8 bits)	0	W
#1001 to #1256	Send buffers	—	0	W
#2000	Receive byte count	0 to 512 + 30 *1 0 to 256 + 15 *1	0	R
#2000 to #2256	Receive buffers	—	0	R
#2257 to #2271	Spare receive buffers for interlink connection mode	—	0	R

Note : "W : For write" can be used for read also. Undefined BFM Nos. are not allowed to be used in the program.

\*1 : Spare buffers used in the interlink connection mode.

10.2.2 Communication Format <BFM#0>

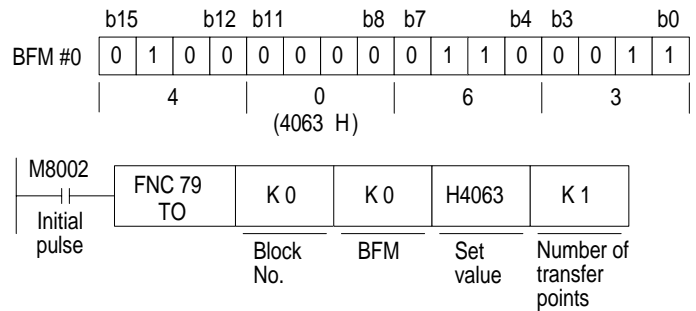
Bit	Description	0	1	Initial value
<b>b0</b>	Data length	7 bit	8 bit	1 : 8 bit
<b>b1</b> <b>b2</b>	Parity	b1 (00) : None (01) : Odd (11) : Even		(11) : Even
<b>b3</b>	Stop bit	1 bit	2 bit	0 : 1 bit
<b>b4</b> <b>b5</b> <b>b6</b> <b>b7</b>	Baud rate (bps)	b4 (0011) : 300 (0100) : 600 (0101) : 1200 (0110) : 2400 (0111) : 4800 (1000) : 9600 (1001) : 19200		(1000) : 9600 bps
<b>b8</b> <b>b9</b>	Control line	b8 (00) : No used (01) : Standard RS232C (11) : RS232C interlink connection mode		(00) : No used
<b>b10</b> <b>b11</b>	Addition of CR and LF	b10 (00) : No added (01) : CR only (11) : CR and LF		(00) : No added
<b>b12</b> <b>b13</b>	Availability of check sum and ASCII/HEX conversion	b12 (00) : No available (01) : ASCII/HEX conversion available (10) : Check sum available (11) : Check sum available, ASCII/HEX conversion available		(00) : No available
<b>b14</b>	Send/receive buffer data length	16 bit	8 bit	0 : 16 bit
<b>b15</b>	No used	—		0 : No used

The communication format is determined on the rising edge of the send/receive enable command (BFM #1 b0).

Accordingly, the setting of the communication format should be preliminary transferred using the TO instruction before BFM #1 b0 is turned on. Also, the send header and the send terminator are determined in the rising edge of the send command (BFM #1 b1). The receive header and the receive terminator are determined on the rising edge of BFM #1 b0 or on the rising edge of the receive completion reset command (BFM #1 b2). Accordingly, when only the header and the terminator exclusively are changed it is not necessary to turn BFM #1 b0 off. The change becomes valid from the next send/receive operation.

**Note : Setting example (hexadecimal, constant specification)**

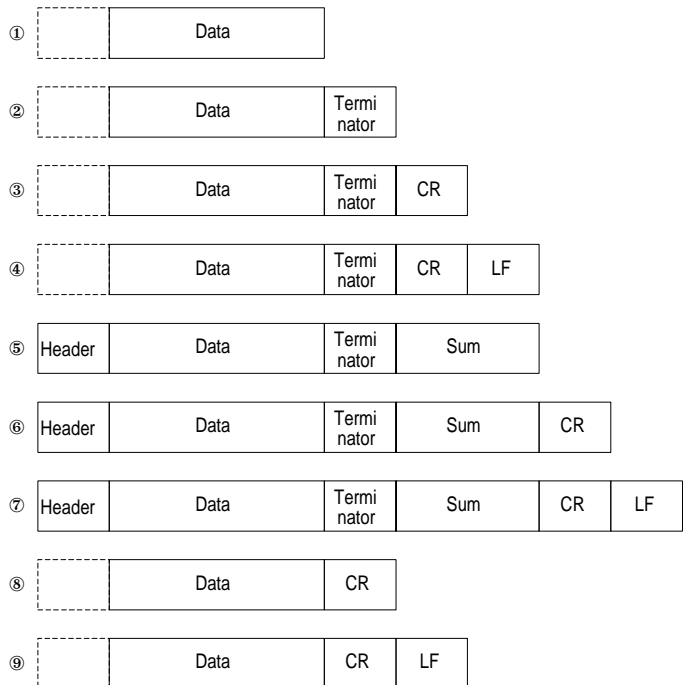
Data length	8 bits
Parity	Odd
Stop bit	1 bit
Baud rate	2400 bps
Control line	No used
CR, LF	No added
Sum check	No added
ASCII/HEX conversion	No used
Buffer data length	8 bits



1) Communication format

Select the communication format used to send/receive data in the 232IF among 9 types shown on the left.

- The header can be specified in the [ ] portion in the communication format.
- In the communication format type ①, hexadecimal data (binary) and ASCII code can be send and received.  
In the communication format types ② to ⑨, the send/receive data should be any ASCII code except the header, the terminator and CR. Communication can be performed using the ASCII/HEX conversion function by specifying the BFM #0 b13 and the BFM #0 b12.
- The ASCII codes available for the initial terminator are 01H to 1FH.
- In the RS232C interlink connection mode, the communication formats ② to ⑦ are available.



2) b0 to b7 (data length, parity, stop bit and baud rate)

b0 to b7 should be aligned with the communication specification of the connected counterpart equipment.

3 ) b9 and b8 (control line)

For examples of connecting the equipment corresponding to each setting, refer to section 2.2.2. For operation of control line, refer to section 10.3.

- When not used (b9=0, b8=0) is specified, communication is performed using only the SD and RD signals without using the control line.
- When standard RS232C mode (b9=0, b8=1) is specified, a cross cable is required to connect the equipment of terminal specifications and a straight through cable is required to connect the equipment of modem specifications.
- When RS232C interlink connection mode (b9=1, b8=1) is specified, the request to send (RS) signal functions as the signal to enable receive in the 232IF. When receiving data exceeding the receive upper limit byte count (BFM #2), the 232IF sets the request to send (RS) signal to OFF and requests the counterpart equipment to suspend the send operation.

At this time, when the data saved in the receive buffers is read to data registers in the programmable controller using the sequence program, the remaining data can be received. Make sure to perform the RS232C interlink connection when specifying this mode.

4 ) b11 and b10 (addition of CR and LF)

Set these bits as follows.

- No added. (b11=0, b10=0)
- CR only is added. (b11=0, b10=1)
- CR and LF are added. (b11=1, b10=1)

For the CR/LF addition format, refer to the communication format list shown above.

5 ) b13 and b12 (Availability of check sum and ASCII/HEX conversion)

Set these bits as follows.

- Neither the check sum nor the ASCII/HEX conversion is available. .... (b13=0, b12=0)
- The ASCII/HEX conversion only is available. .... (b13=0, b12=1)
- The check sum only is available. .... (b13=1, b12=0)
- Both the check sum and ASCII/HEX conversion are available. .... (b13=1, b12=1)

For the check sum addition format, refer to the communication format list shown above.



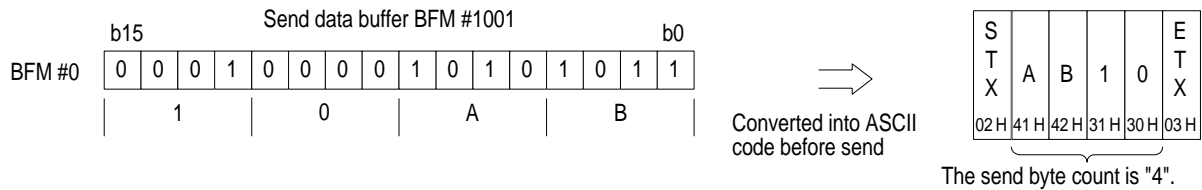
**Note : ASCII/HEX conversion**

When execution of the ASCII/HEX conversion is specified, the hexadecimal numeric data (0 to F) inside the send buffers (BFMs #1001 to #1256) is converted into the ASCII code, then sent. The received ASCII code is converted into hexadecimal numeric data (0 to F), then saved to the receive buffers (BFMs #2001 to #2256).

At this time, the send/receive byte count indicates the number of hexadecimal data.

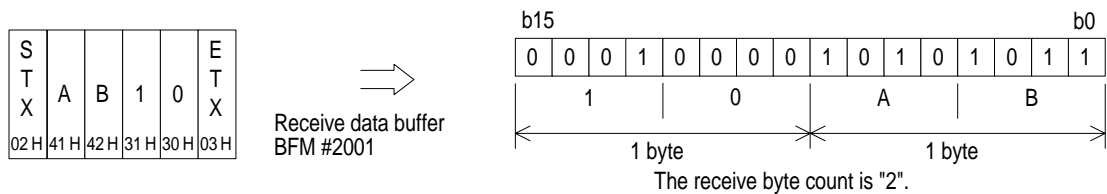
a ) Send format when hexadecimal data is converted into ASCII code

Example : When the send data "10ABH", the header "STX" and the terminator "ETX" are sent



b ) Receive format when ASCII code is converted into hexadecimal data

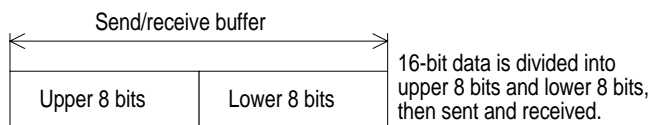
Example : When the receive data "10ABH", the header "STX" and the terminator "ETX" are received



6 ) b14 (send/receive buffer data length)

The data is treated as follows in accordance with the buffer data length.

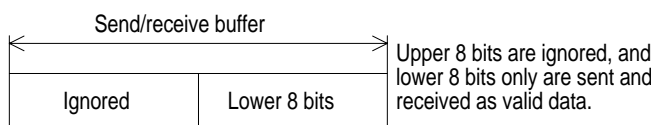
- In the case of 16 bits (b14=0)



Example of send buffers

S	BFM	BFM	BFM	BFM	E
T	#1001	#1001	#1002	#1002	T
X	lower	upper	lower	upper	X

- In the case of 8 bits (b14=1)



Example of send buffers

S	BFM	BFM	BFM	BFM	E
T	#1001	#1002	#1003	#1004	T
X	lower	lower	lower	lower	X

### 10.2.3 Command (BFM #1)

Bit	Description
b0	Send/receive enable (ER ON)
b1	Send command
b2	Receive completion reset command
b3	Error reset

BFM #1 gives the command for send/receive and the status information reset command to the 232IF.

#### 1) b0 (send/receive enable)

While b0 is turned on, the 232IF can send and receive data.

The contents of the following setting items are determined on the rising edge of b0. Make sure to set the contents using the TO instruction before setting b0 to "ON".

- BFM #0 (communication format)
- BFMs #9 and #8 (receive header)
- BFMs #11 and #10 (receive terminator)

On the rising edge of b0, the error occurrence (BFM #28 b3) and the error code (BFM #29) are cleared.

#### 2) b1 (send command)

On the rising edge of b1, the contents of the send buffers (BFMs # 1001 to #1256) are sent to the counterpart equipment up to the send byte count (BFM #1000).

When send is completed, the send completion status (BFM #28 b0) is set. BFM #28 b0 is automatically reset when the next send command (b1) is given.

When b1 is given, the contents of the following setting items are determined.

- BFMs #5 and #4 (send header)
- BFMs #7 and #6 (send terminator)

#### 3) b2 (receive completion reset command)

When b2 is set to "ON", the following items are cleared.

- BFM #28 b1 (receive completion)
- BFM #2000 (receive byte count)
- BFMs #2001 to #2256 (receive buffers)

When receive is completed, b2 should be set to "ON" to clear the receive completion status (BFM #28 b1). If BFM #28 b1 is not reset, the next data cannot be received.

When b2 is set to "ON", the contents of the following setting items are determined.

- BFMs #9 and #8 (receive header)
- BFMs #11 and #10 (receive terminator)

In the RS-232C interlink connection mode (BFM #0 b9=1, b8=1), b2 functions as the receive continuation command to receive data exceeding the receive upper limit byte count (BFM #2), and clears the following items.

- BFM #28 b4 (receive suspended)
- BFM #2000 (receive byte count)
- BFMs #2001 to #2256 (receive buffers)
- BFMs #2257 to #2271 (spare receive buffers)

When b2 is set to "ON", the request to send (RS) signal is automatically set to "ON" also.

#### 4) b3 (error reset)

When b3 is set to "ON", the error occurrence status (BFM #28 b3) and error code (BFM #29) are cleared.

**10.2.4 Receive Upper Limit Byte Count <BFM #2>**

Setting range: 1 to 512 (when buffer data length is 16 bits)  
 1 to 256 (when buffer data length is 8 bits)  
 "0" is regarded as "512" or "256". The initial value is "0".

BFM #2 specifies the maximum byte count received by the 232IF.  
 When data is received up to the receive upper limit byte count, the receive completion status (BFM #28 b1) is set.  
 When the receive terminator (BFMs #11 and #10) or the receive time-out time (BFM #3) is set and the set condition is satisfied, it is regarded that receive is completed even if the data received is within the receive upper limit byte count.

**10.2.5 Receive Time-out Time <BFM #3>**

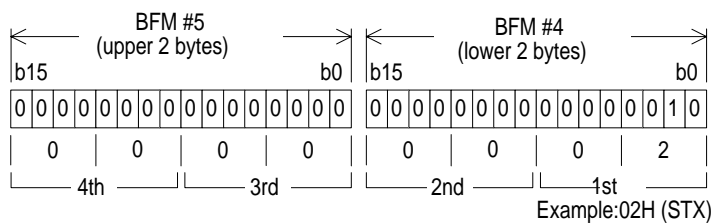
Setting range: 1 to 32,767 (x 10ms)  
 "0" eliminates time-out time. The initial value is "0".

BFM #3 specifies the receive data waiting time limit.  
 When the next data is not received within the receive time-out time starting from the receive edge of each data, the receive time-out flag (BFM #28 b2) is set to "ON", it is regarded that receive is completed, and the receive completion status (BFM #28 b1) is set.

**10.2.6 Send Header <BFM #5 (upper), BFM #4 (lower)>**

Setting range: 4 bytes maximum, zero suppression  
 The initial value is "0" (No used).

For the send data of the 232IF, 4 headers maximum can be specified. When the number of headers is less than 4, the upper "0"s are ignored (zero suppression) and not transferred.



- The transmission order is fourth header, third header, second header, first header when 4 headers are specified.

**10.2.7 Send Terminator <BFM #7 (upper), BFM #6 (lower)>**

Setting range: 4 bytes maximum, zero suppression  
 The initial value is "0" (No used).

For the send data of the 232IF, 4 terminators maximum can be specified. When the number of terminators is less than 4, the upper "0"s are ignored (zero suppression) and not transferred.  
 As the first terminator, specify an ASCII code from 01H to 1FH. (As the second to fourth terminators, any ASCII code can be specified.)  
 The register structure and the transmission order are equivalent to those of the send header described above.

**10.2.8 Receive Header <BFM #9 (upper), BFM #8 (lower)>**

Setting range: 4 bytes maximum, zero suppression  
 The initial value is "0" (No used).

For the receive data of the 232IF, 4 headers maximum can be specified. When the number of headers is less than 4, the upper "0"s are ignored (zero suppression). The register structure and the transmission order are equivalent to those of the send header described above.

**10.2.9 Receive Terminator <BFM #11 (upper), BFM #10 (lower)>**

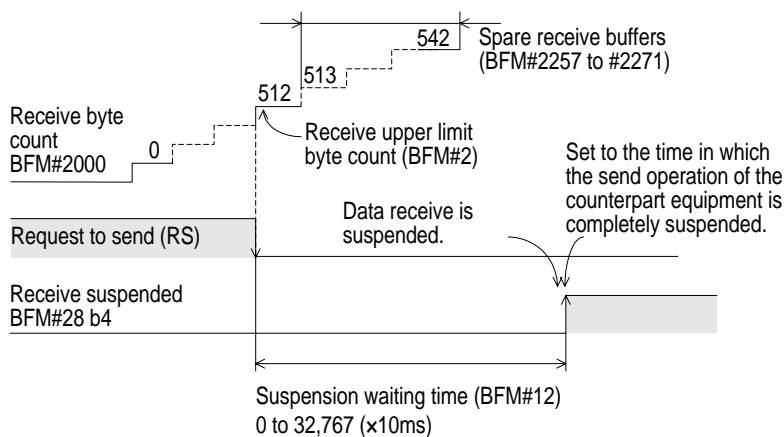
Setting range: 4 bytes maximum, zero suppression  
 The initial value is "0" (No used).

For the receive data of the 232IF, 4 terminators maximum can be specified. When the number of terminators is less than 4, the upper "0"s are ignored (zero suppression). As the first terminator, specify an ASCII code from 01<sub>H</sub> to 1F<sub>H</sub>. (As the second to fourth terminators, any ASCII code can be specified.) The register structure and the transmission order are equivalent to those of the send header described above.

**10.2.10 Receive Suspension Waiting Time <BFM #12>**

Setting range: 0 to 32,767 (x 10ms)  
 The initial value is 0 ms.

In the RS-232C interlink connection mode (BFM #0, b9=1, b8=1), when receiving data exceeding the receive upper limit byte count (BFM #2), the 232IF sets the request to send (RS) signal to "OFF" and requests the counterpart equipment to suspend the send operation. BFM #12 specifies the time after the request to send (RS) signal is turned off until the receive suspended status (BFM #28 b4) is turned on. The value set to the BFM #12 should be equivalent to or more than the time after the 232IF sets the request to send (RS) signal to "OFF" until the send operation of the counterpart equipment is completely suspended. If the time times out and the receive suspended status (BFM #28 b4) is set to "ON" before the send operation of the counterpart equipment is not suspended, the remaining data cannot be received.



**10.2.11 Number of Remaining Send Data <BFM #13>**

Saved value: 0 to 512 (when buffer data length is 16 bits)  
 0 to 256 (when buffer data length is 8 bits)

The send byte count (BFM #1000) reduced by the number of data actually sent is during transmission.

**10.2.12 Number of Receive Buffers <BFM #14>**

Saved value: 0 to 256+15 (for spare receive buffers)

The number of buffers which have actually received data is saved in turn with regard to the receive buffers BFM #2001 to #2256 and the spare receive buffers BFM #2257 to #2271 for interlink connection mode.

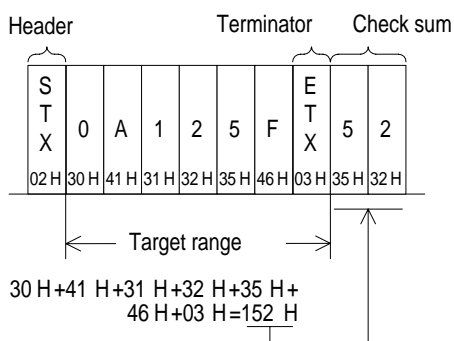
**10.2.13 Send Sum Result <BFM #15>**

Initial value: 0

The check sum value added to the send data is saved.  
 The sum check target range and the calculation method are shown below.

**Note; Sum check target range and calculation method**

Example:



The total value including the terminator and excluding the header (1st byte of the header only) is calculated. Then, the lower 1 byte is converted into the ASCII code, and sent or received. The data converted into the ASCII code is placed in the order of upper digit and lower digit.

**10.2.14 Receive Sum Result <BFM #16>**

Initial value: 0

The sum check value of the receive data is saved.  
 When the check sum added to the receive data is different from the receive sum result, "receive sum check error" occurs.  
 The sum check target range and the calculation method are equivalent to those for the send sum result described above.

**10.2.15 Time from CS ON to Send Start <BFM #20>**

Set value: 0 to 32,767 (x 10ms)  
The initial value is 0 ms.

The time after the clear to send (CS) signal is turned on until the 232IF starts the send operation can be set.

When "control line not used" is specified, the time after the send command is given until the send operation is started is specified.

Set BFM #20 when it is required by a modem, etc.

**10.2.16 Time from Completion of Actual Send to RS OFF (completion flag ON) <BFM #21>**

Set value: 0 to 32,767 (x 10ms)  
The initial value is 0 ms.

The time after the 232IF sends the data until the RS signal is turned off and the send completion flag (BFM #28 b0) is turned on can be specified.

Set BFM #21 when it is required by a modem, etc.

10.2.17 Status <BFM #28>

Bit	Description
b0	Send completion
b1	Receive completion
b2	Receive time-out
b3	Error occurrence
b4	Receive suspended
b5	Undefined
b6	Being sent
b7	Being received

Bit	Description
b8	RS (RTS)
b9	ER (DTR)
b10	Undefined
b11	Undefined
b12	DR (DSR)
b13	CD (DCD)
b14	DS (CTS)
b15	CI (RI)

The 232IF status and the send/receive result are saved as status information. This information can be read from the programmable controller using the FROM instruction, then utilized.

1) b0 (send completion)

When send of data up to the send byte count (BFM #1000) is completed, the send completion status (b0) is set. The send completion status (b0) is automatically reset when the next send command (BFM #1 b1) set to "ON".

2) b1 (receive completion)

When receive of data up to the receive upper limit byte count (BFM #2) is completed, the receive completion status (b1) is set. If the receive terminator (BFMs #11 and #10) or the receive time-out time (BFM #3) is set, it is regarded that receive is completed when the set condition is satisfied, then the receive completion status (b1) is set in the same way.

This status is required to be reset using the sequence program. If it is not reset, the next data cannot be received. This status can be reset using the receive completion reset command (BFM #1 b2).

3) b2 (receive time-out)

When the receive time-out time (BFM #3) is reached while data is received, the receive time-out status (b2) is set. At the same time, the receive completion status (b1) is also set.

This status is automatically reset when the receive completion reset command (BFM #1 b2) is executed.

4) b3 (error occurrence)

When an error occurs while data is sent or received, b3 is set to "ON" and the error is saved to the error code (BFM #29).

5) b4 (receive suspended)

When data exceeding the receive upper limit byte count (BFM #2) is received in the RS232C interlink connection mode (BFM #0 b9=1, b8=1), the 232IF sets the request to send (RS) signal to "OFF", requests the counterpart equipment to suspend the send operation, then sets b4 after the receive suspension waiting time (BFM #12) has expired.

To receive the excess data in the interlink connection, the rising edge of the b4 is required to be monitored using the sequence program. The data as much as the receive byte count (BFM #2000) in the receive buffers (BFMs #2001 to #2271) or the data as much as the number of receive buffers (BFM #14) should be read to data registers in the programmable controller and the receive completion command executed (BFM #1 b2).

6) b6 (being sent)

b6 is turned on after the send command (BFM #1 b1) is given until the send completion status (BFM #28 b0) is set.

- 7 ) b7 (being received)  
b7 is turned on after the head data is received until the receive completion status (BFM #28 b1) is set.
- 8 ) b8 (RS), b9 (ER), b12 (DR), b13 (CD), b14 (CS), b15 (CI)  
These bits indicate the ON/OFF status of the control signals.

**10.2.18 Error Code <BFM #29>**

For error code, refer to chapter 12.

**10.2.19 Model Code <BFM #30>**

The model code of the 232IF is “K7030”.  
The model code is a fixed code assigned to each special extension equipment handled by the FROM/TO instruction. The programmable controller can distinguish the equipment type by reading this code.

**10.2.20 Send Byte Count <BFM #1000>**

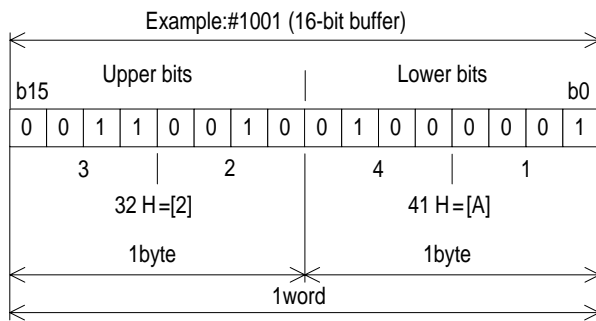
Setting range: 0 to 512 (when buffer data length is 16 bits)  
0 to 256 (when buffer data length is 8 bits)

The BFM #1000 specifies how many bytes out of 512 bytes/256 words in the 16-bit send buffers (BFMs #1001 to #1256) are to be sent.

**10.2.21 Send Buffers <BFMs #1001 to #1256>**

Each of them is a 16-bit buffer to save the send data, and accommodates 512 bytes/256 words.

**Note; Send/receive buffer structure**



A numeric in the send/receive buffer is treated as hexadecimal (HEX).



### 10.2.22 Receive Byte Count <BFM #2000>

Saved value: 0 to 512<sup>+30</sup>\*1 (when buffer data length is 16 bits)  
0 to 256<sup>+15</sup>\*1 (when buffer data length is 8 bits)

The byte count received from the counterpart equipment is saved.  
This value is cleared by the receive completion reset command (BFM #1 b2).  
\*1 Spare buffers in the interlink connection mode

### 10.2.23 Receive Buffers <BFM #2001 to #2256>

Each of them is a 16-bit buffer to save the data received from the counterpart equipment, and accommodates 512 bytes/256 words. The buffer structure is equivalent to that of the send buffers.  
The receive contents are cleared by the receive completion reset command (BFM #1 b2).

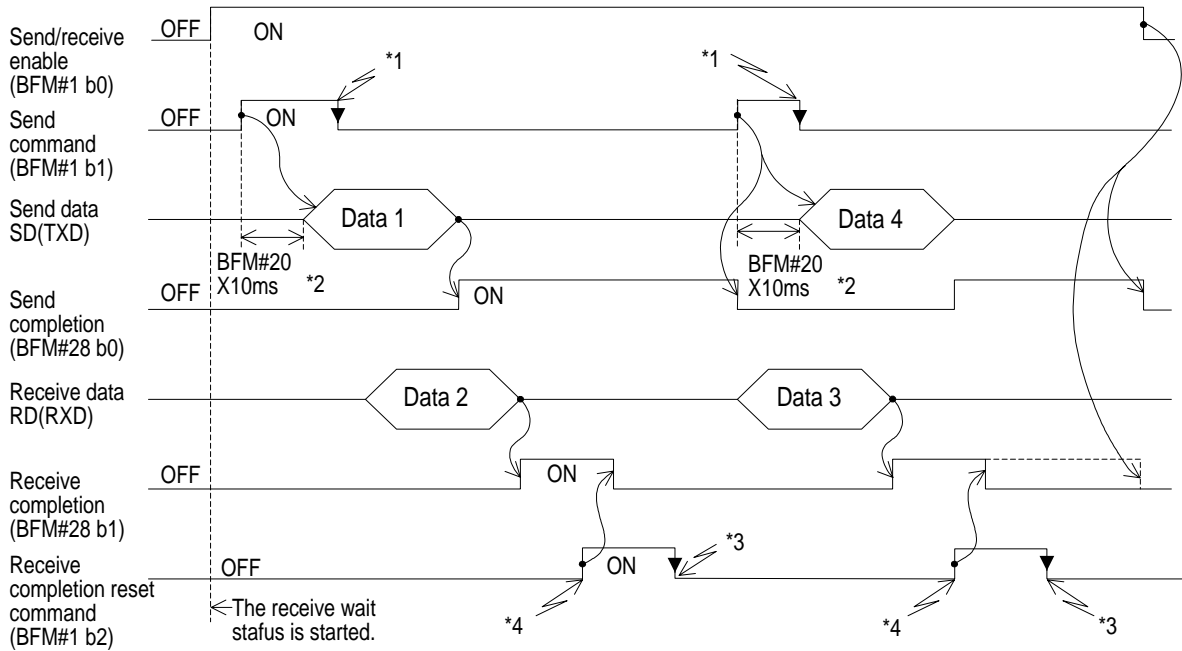
### 10.2.24 Spare Receive Buffers for Interlink Connection Mode <BFM #2257 to #2271>

Each of them is a spare buffer for the interlink connection in the case where the data exceeding 512 bytes is received, and is used to receive the data after the request to send (RS) signal is turned off until the send operation of the counterpart equipment is suspended.  
The receive contents are cleared by the receive completion reset command (BFM #1 b2).

## 10.3 Hardware Hand Shake Operation

### 10.3.1 No Hardware Hand Shake

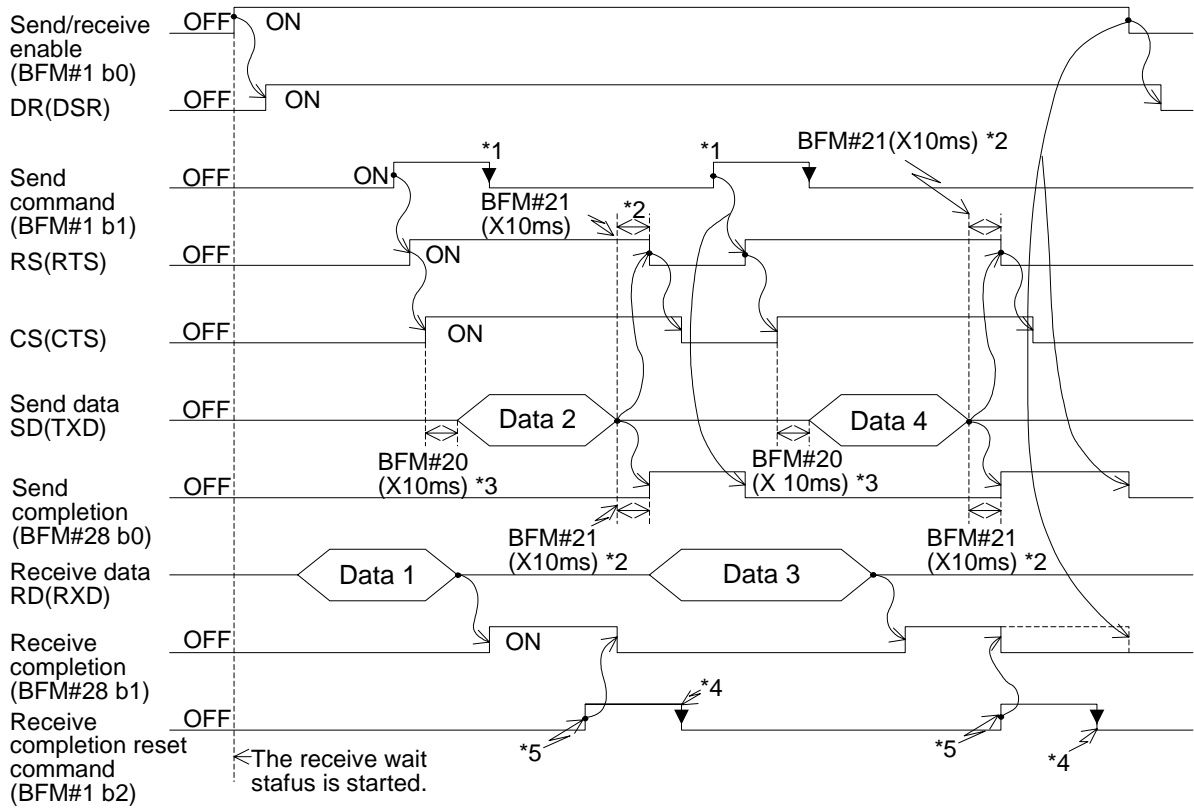
Setting BFM#0 (b9, b8)=(0, 0)



- \*1 Turn off using a program. When it is not turned off, the next data cannot be sent.
- \*2 Time set by BFM#20 (x10ms).
- \*3 Turn it off using a program. When it is not turned off, the next data cannot be sent.
- \*4 After receive is completed and the receive data is read, turn off the receive completion flag (BFM #28 b1) using a receive completion reset command (BFM #1 b2).

### 10.3.2 Standard RS232C Mode

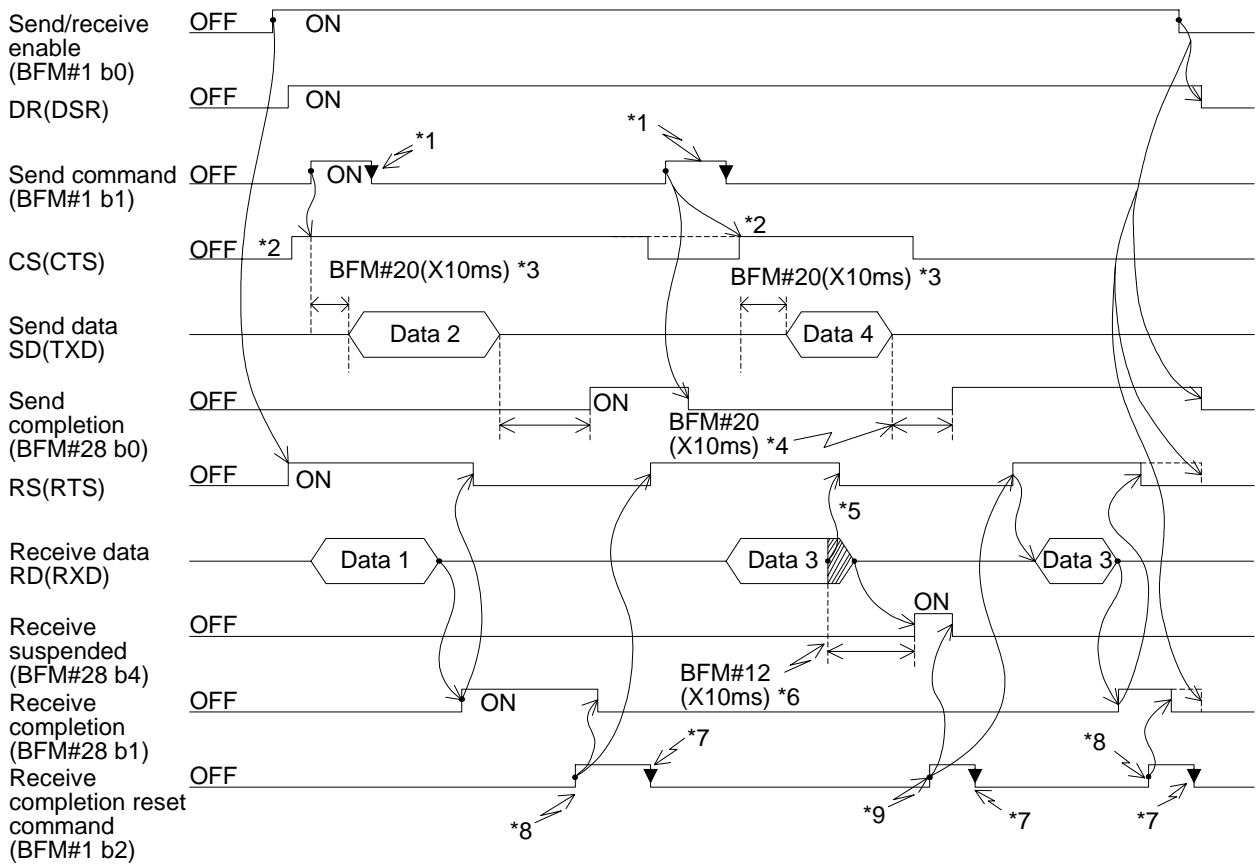
Setting BFM #0 (b9, b8) = (0, 1)



- \*1 Turn off using a program. When it is not turned off, the next data cannot be sent
- \*2 Time set by BFM #21 (x10ms)
- \*3 Time set by BFM #22 (x10ms)
- \*4 Turn off using a program. When it is not turned off, the next data cannot be received.
- \*5 After receive is completed and the receive data is read, turn off the receive completion flag (BFM #28 b1) using a receive completion reset command (BFM #1 b2)

### 10.3.3 Interlink Mode

Setting BFM #0 (b9, b8) = (1, 1)



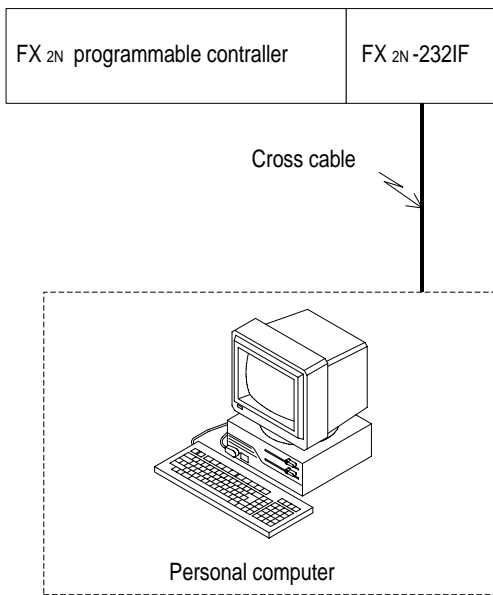
- \*1 Turn off using a program. When it is not turned off, the next data cannot be sent.
- \*2 Make sure that the CS (CTS) in the FX<sub>2N</sub>-232IF is turned on while the counterpart equipment is ready for receive.
- \*3 Time set by BFM #20 (x10ms)
- \*4 Time set by BFM #21 (x10ms)
- \*5 The RS (RTS) is turned off when the upper limit of receive byte count specified by the BFM #2 is exceeded.  
When the send/receive buffer data length is 16 bits (BFM #0 b14=0), interrupt send from the counterpart equipment within 30 bytes. When the send/receive buffer data a length is 8bits (BFM #0 b14=1), interrupt send from the counterpart equipment within 15 bits.  
If send is not interrupted, all the send data cannot be received.
- \*6 Time set by BFM #12 (x10ms)
- \*7 Turn off using a program. When it is not turned off, the next data cannot be received.
- \*8 After receive is completed and the receive data is read, turn off the receive completion flag (BFM #28 b1) using a receive completion reset command (BFM #1 b2).
- \*9 Read the data as much as the receive byte count (BFM #14) in the receive buffer (BFM #2001 to BFM #2271) to the data registers in the programmable controller, then turn it ON.

## 10.4 Example Program

### 10.4.1 Example of 16 Bits Data Communication

This system configuration describes an example in which data of 16-bit buffer length is sent and received between the equipment of the terminal specifications. In this example, the ASCII code saved in the data registers D201 to D205 in the programmable controller sent to the counterpart equipment, and the data received from the counterpart equipment is saved to the data registers D301 to D304 in the programmable controller.

1) System configuration



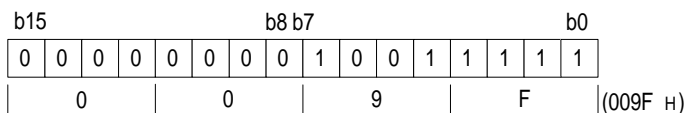
2) Example setting buffer memories

The items not described here are set to the default respectively.

a) Communication format <BFM #0>

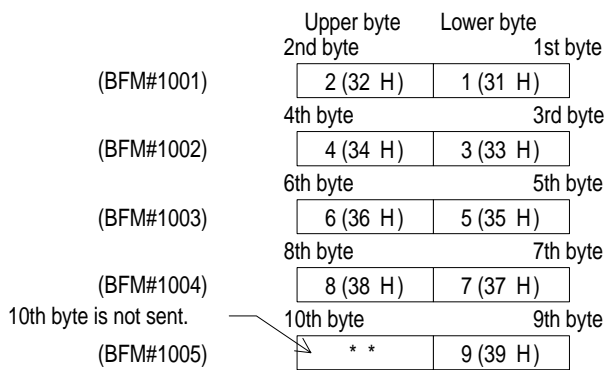
Bit	Description	Setting
b0	Data length	(1): 8 bits
b1 b2	Parity	(1, 1): Even
b3	Stop bit	(1): 2 bits
b4 b5 b6 b7	Baud rate	(1001): 19200 bps
b8 b9	Control line	(0, 0): Not used
b10 b11	Addition of CR and LF	(0, 0): Not added
b12 b13	Availability of check sum and ASCII/HEX conversion	(0, 0): Not available
b14	Send/receive buffer data length	(0): 16 bits
b15	Undefined	—

← Specification item for 16-bit length



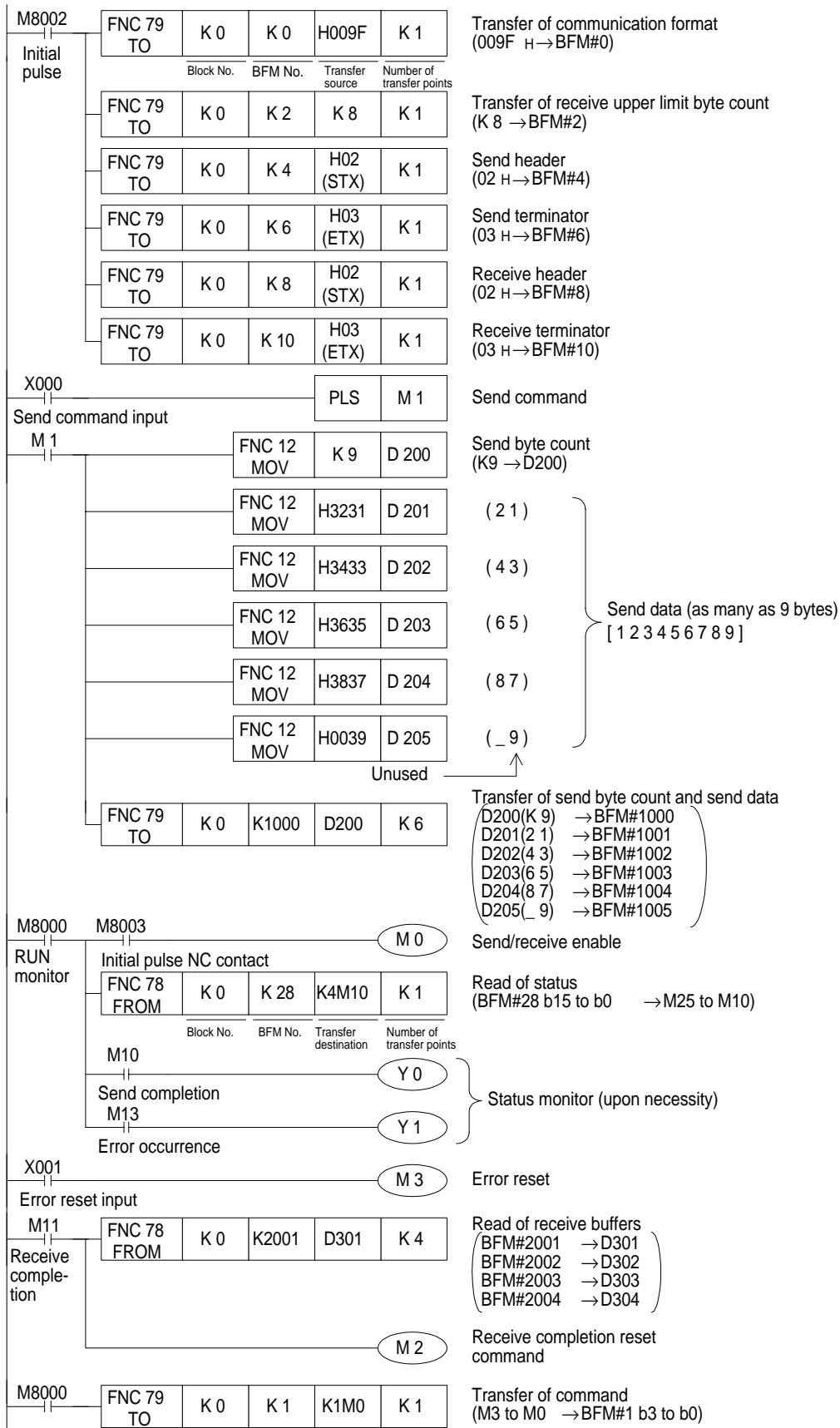
- b) Command <BFM #1>
  - M0→b0:Send/receive enable (ER ON)
  - M1→b1:Send command
  - M2→b2:Receive completion reset command
  - M3→b3:Error reset
- c) Receive upper limit byte count <BFM #2>
  - 8bytes
- d) Header and terminator <BFMs #4 to #11>
  - BFMs #4 and #8 (send/receive header): 02H (STX)
  - BFMs #6 and #10 (send/receive terminator):03H (ETX)
- e) Status <BFM #28>
 

b0→M10:Send completion	b8→M18:RS(RTS)
b1→M11:Receive completion	b9→M19:ER(DTR)
b2→M12:Receive time-out	b10→M20:Undefined
b3→M13:Error occurrence	b11→M21:Undefined
b4→M14:Receive suspended	b12→M22:DR(DSR)
b5→M15:Undefined	b13→M23:CD(DCD)
b6→M16:Being sent	b14→M24:CS(CTS)
b7→M17:Being received	b15→M25:CI(RI)
- f) Send byte count <BFM #1000>
  - 9 bytes
- g) Send buffers <BFMs #1001~>
  - 9-byte send data "123456789" is prepared in ASCII code in accordance with the send byte count specified above.



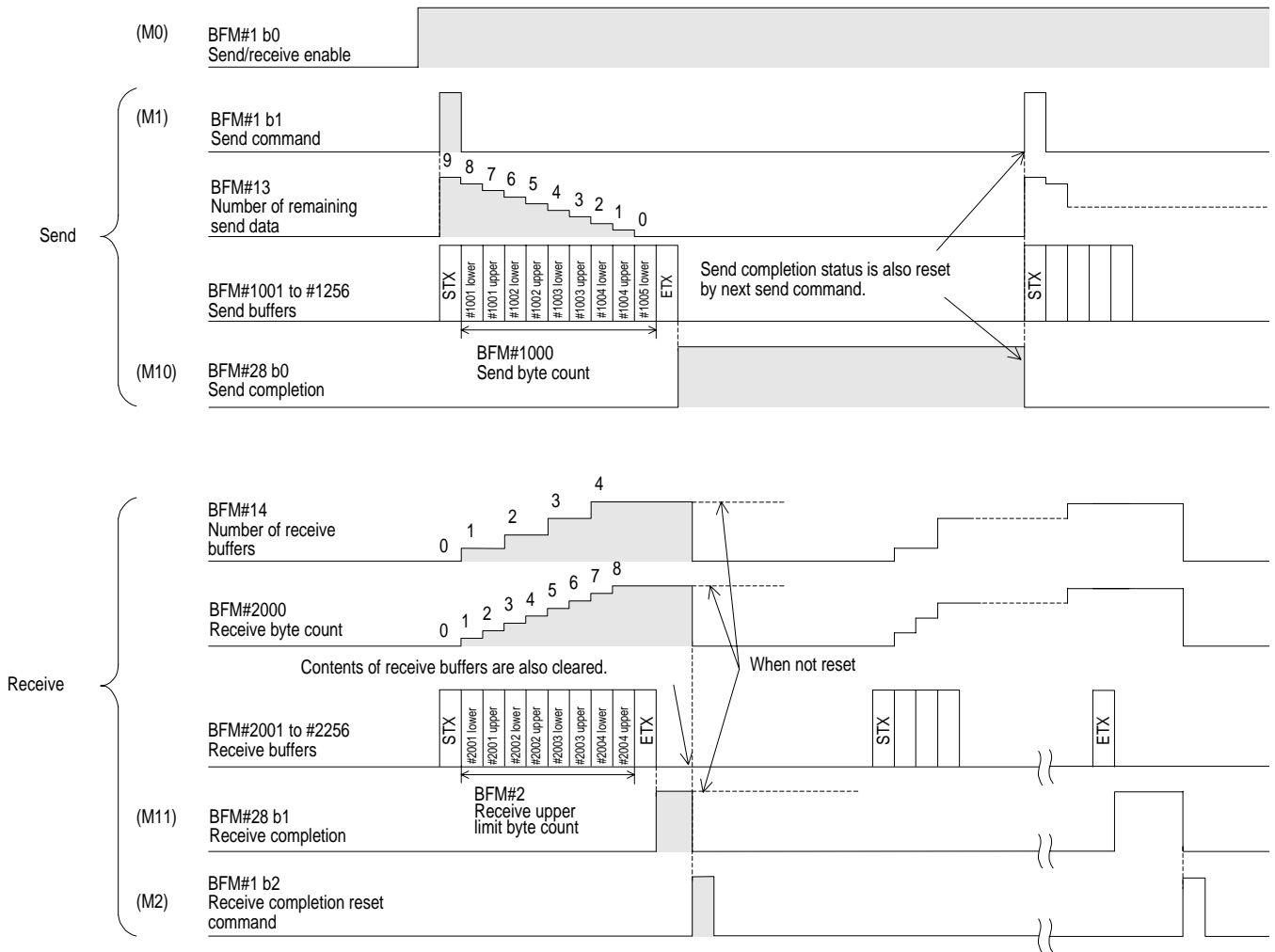
- h) Receive buffers <BFMs #2001~>
  - 8-byte receive data specified in accordance with the receive upper limit byte count (BFM #2) is read to the data registers D301 to D304 in the programmable controller.

3 ) Example program



10

4 ) Operation chart

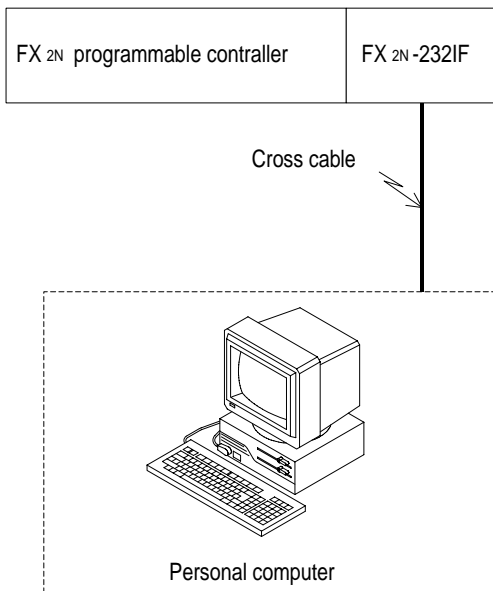




### 10.4.2 Example of 8 Bits Data Communication

This system configuration describes an example in which data of 8-bit buffer length is sent and received between the equipment of the terminal specifications. In this example, the ASCII code saved in the data registers D201 to D209 in the programmable controller is sent to the counterpart equipment, and the data received from the counterpart equipment is saved to the data registers D301 to D308 in the programmable controller.

1) System configuration



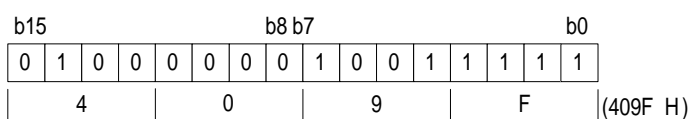
2) Example setting buffer memories

This items not described here are set to the default respectively.

a) Communication format <BFM #0>

Bit	Description	Setting
b0	Data length	(1): 8 bits
b1 b2	Parity	(1,1): Even
b3	Stop bit	(1): 2 bits
b4 b5 b6 b7	Baud rate	(1001): 19200 bps
b8 b9	Control line	(0, 0): Not used
b10 b11	Addition of CR and LF	(0, 0): Not added
b12 b13	Availability of check sum and ASCII/HEX conversion	(0, 0): Not available
b14	Send/receive buffer data length	(0): 8 bits
b15	Undefined	—

← Specification item for 8-bit length



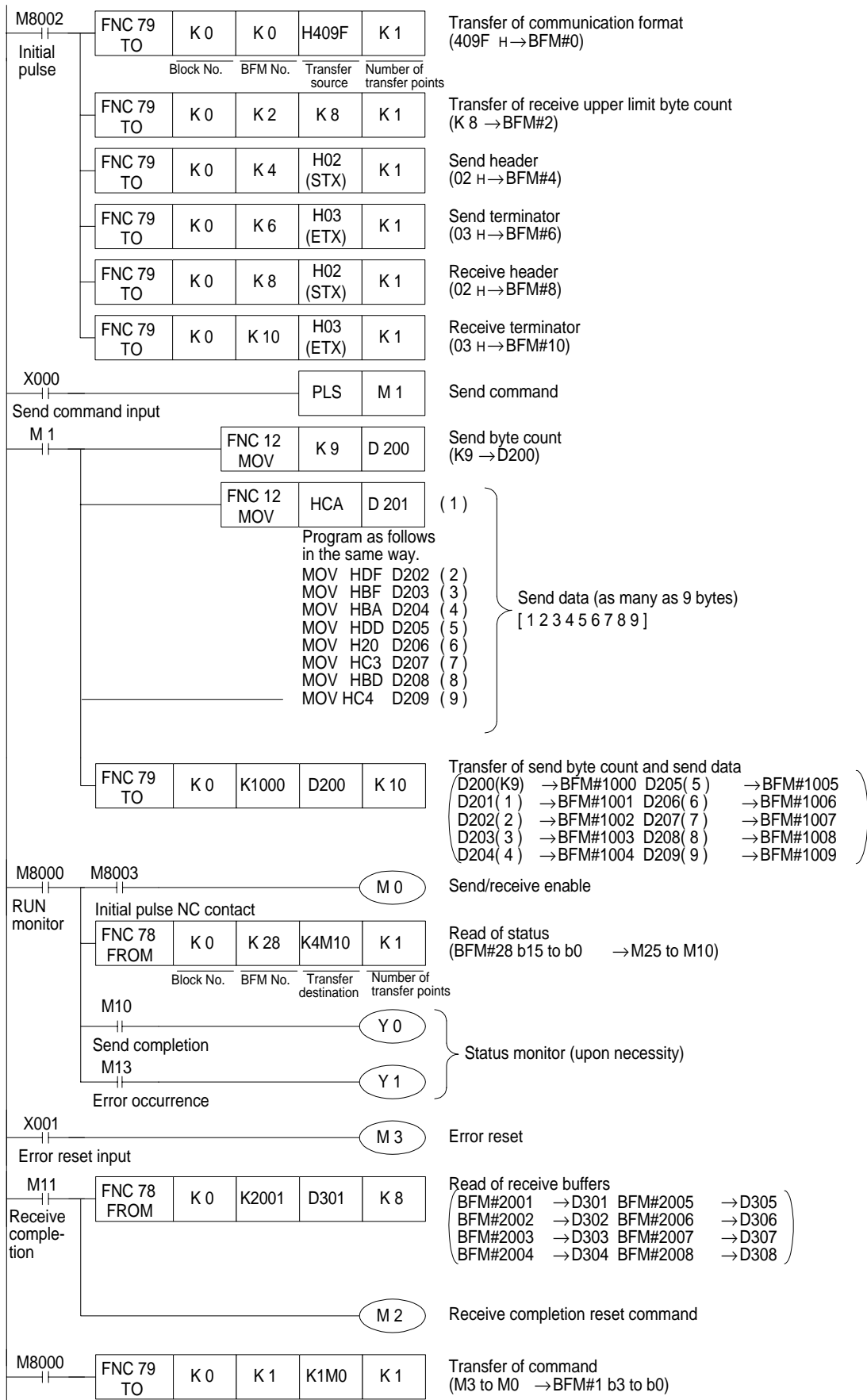
- b) Command <BFM #1>
  - M0→b0:Send/receive enable (ER ON)
  - M1→b1:Send command
  - M2→b2:Receive completion reset command
  - M3→b3:Error reset
- c) Receive upper limit byte count <BFM #2>
  - 8 bytes
- d) Header and terminator <BFMs #4 to #11>
  - BFMs #4 and #8 (send/receive header): 02H (STX)
  - BFMs #6 and #10 (send/receive terminator): 03H (ETX)
- e) Status <BFM #28>
 

b0→M10:Send completion	b8→M18:RS(RTS)
b1→M11:Receive completion	b9→M19:ER(DTR)
b2→M12:Receive time-out	b10→M20:Undefined
b3→M13:Error occurrence	b11→M21:Undefined
b4→M14:Receive suspended	b12→M22:DR(DSR)
b5→M15:Undefined	b13→M23:CD(DCD)
b6→M16:Being sent	b14→M24:CS(CTS)
b7→M17:Being received	b15→M25:CI(RI)
- f) Send byte count <BFM #1000>
  - 9bytes
- g) Send buffers <BFMs #1001~>
  - 9-byte send data "123456789" is prepared in the ASCII code in accordance with the send byte count specified above.

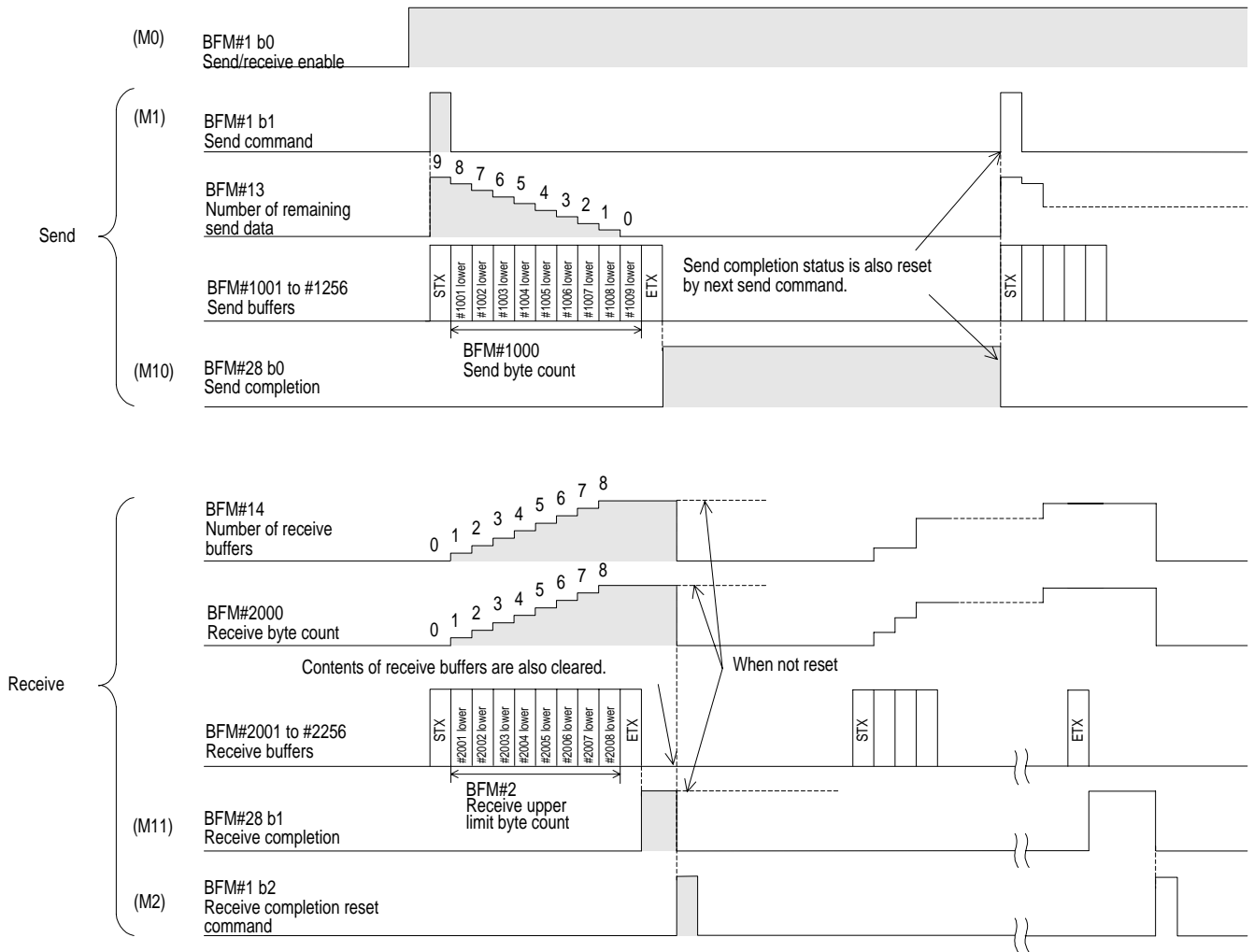
	Upper byte	Lower byte	1 byte
(BFM#1001)	Ignored	1 (31 H)	
			2 byte
(BFM#1002)	Ignored	2 (32 H)	
			3 byte
(BFM#1003)	Ignored	3 (33 H)	
			4 byte
(BFM#1004)	Ignored	4 (34 H)	
			5 byte
(BFM#1005)	Ignored	5 (35 H)	
			6 byte
(BFM#1006)	Ignored	6 (36 H)	
			7 byte
(BFM#1007)	Ignored	7 (37 H)	
			8 byte
(BFM#1008)	Ignored	8 (38 H)	
			9 byte
(BFM#1009)	Ignored	9 (39 H)	

- h) Receive buffers
  - 8-byte receive data specified in accordance with the receive upper limit byte count (BFM #2) is read to the data registers D301 to D308 in the programmable controller.

3 ) Example program



4 ) Operation chart



1	Introduction
2	Wiring
3	Specifications
4	N:N network
5	Parallel link
6	Communication format (D8120)
7	Computer link
8	Commands (for computer link)
9	RS instruction
10	FX <sub>2</sub> N-232IF
11	Optional programming port
12	Diagnostics
A	Further Information Manual List
B	ASCII code Lists



# 11. Optional Programming Port

This section describes connection to peripheral equipment (programming tool, data access unit and electronic operation terminal) using the FX<sub>2N</sub>-232-BD, FX<sub>1N</sub>-232-BD, FX<sub>0N</sub>-232ADP, FX<sub>1N</sub>-422-BD, or FX<sub>2N</sub>-422-BD as well as cautions on communication. For the operating procedure of each peripheral equipment and installation of each interface, refer to the corresponding manual.

## 11.1 FX<sub>2N</sub>-422-BD, FX<sub>1N</sub>-422-BD

When an FX<sub>2N</sub>-422-BD is installed on the FX<sub>2N</sub> Series, or when an FX<sub>1N</sub>-422-BD is installed on FX<sub>1N</sub> or FX<sub>1S</sub> Series, the following peripheral equipment (programming tool, data access unit and electronic operation terminal) can be connected.

However, the FX<sub>2N</sub>-422-BD consumes 5V DC, 60 mA from the FX<sub>2N</sub> programmable controller, and the FX<sub>1N</sub>-422-BD consumes 5V DC, 60 mA from the FX<sub>1S</sub> or FX<sub>1N</sub> programmable controller. Make sure that the current consumption of 5V DC for special extensions and peripheral equipment does not exceed the capacity of the 5V DC power of the FX<sub>2N</sub>, FX<sub>1N</sub> or FX<sub>1S</sub>.

Product	Connecting cable	Required 5V DC
FX-20P-E	FX-20P-CAB0 or FX-20P-CAB + FX-20P-CADP	180mA
FX-10P-E		120mA
Personal computer (For programming tool)	F2-232CAB-1 + FX-232AW(C) + (FX-422CAB0 or FX-422CAB + FX-20P-CADP) *1	220mA
FX-10DM	FX-20P-CAB0 or FX-20P-CAB + FX-20P-CADP	220mA
FX-10DU-E	FX-20P-CAB0 or FX-20P-CAB + FX-20P-CADP	220mA
FX-20DU-E	FX-20DU-CAB0 or FX-20DU-CAB + FX-20P-CADP	180mA
FX-25DU-E, FX-30DU-E, FX-40DU-ES, FX-40DU-TK-ES, FX-50DU-TK(S)-E	FX-50DU-CAB0 (-1M, -10M, -20M, -30M, L) or FX-40DU-CAB (-10M, -20M, -30M) + FX-20P-CADP	0mA
F940GOT-SWD (LWD)-E, F930GOT-SBD	FX-50DU-CAB0 (-1M, -10M, -20M, -30M, L)	0mA
F940GOT-SBD (LBD)-H	F9GT-HCAB2-150 + F9GT-HCAB-3M (-10M) or FX-50DU-CAB0 (-1M) + F9GT-HCNB + F9GT-HCAB-3M (-10M)	0mA
GOT-A900 (Connecting direct CPU port type)	F9GT-CAB0 (-150, -10M)	0mA

\*1: When using other products or cables please check the product manual for required 5V DC supply.



### Note;

These products cannot be connected via FX-2PIF to port of FX<sub>1N</sub>-422-BD or FX<sub>2N</sub>-422-BD. If connecting, power supply circuit in PLC will go down.

## 11.2 FX<sub>2N</sub>-232-BD FX<sub>1N</sub>-232BD and FX<sub>0N</sub>-232ADP

When an FX<sub>2N</sub>-232-BD or an FX<sub>0N</sub>-232ADP is installed on the FX<sub>2N</sub>, FX<sub>2NC</sub> Series, or when an FX<sub>1N</sub>-232-BD is installed on FX<sub>1N</sub> or FX<sub>1S</sub> Series, a personal computer in which the following software is supported can be connected to each port.

However, the FX<sub>2N</sub>-232-BD consumes 5V DC, 20 mA from the FX<sub>2N</sub> programmable controller, the FX<sub>1N</sub>-232-BD consumes 5V DC, 20 mA from the FX<sub>1N</sub>, FX<sub>1S</sub> programmable controller and the FX<sub>0N</sub>-232ADP consumes 5V DC, 200 mA from connected programmable controller.

Make sure that the current consumption of 5V DC for special extensions does not exceed the capacity of the 5V DC power of the FX<sub>2N</sub>, FX<sub>2NC</sub>, FX<sub>1S</sub> or FX<sub>1N</sub>.

- Programming software FX-PCS/AT-EE
- Programming software FX-PCS/WIN-E

### 11.2.1 Connection cables

#### 1) FX<sub>2N</sub>-232-BD

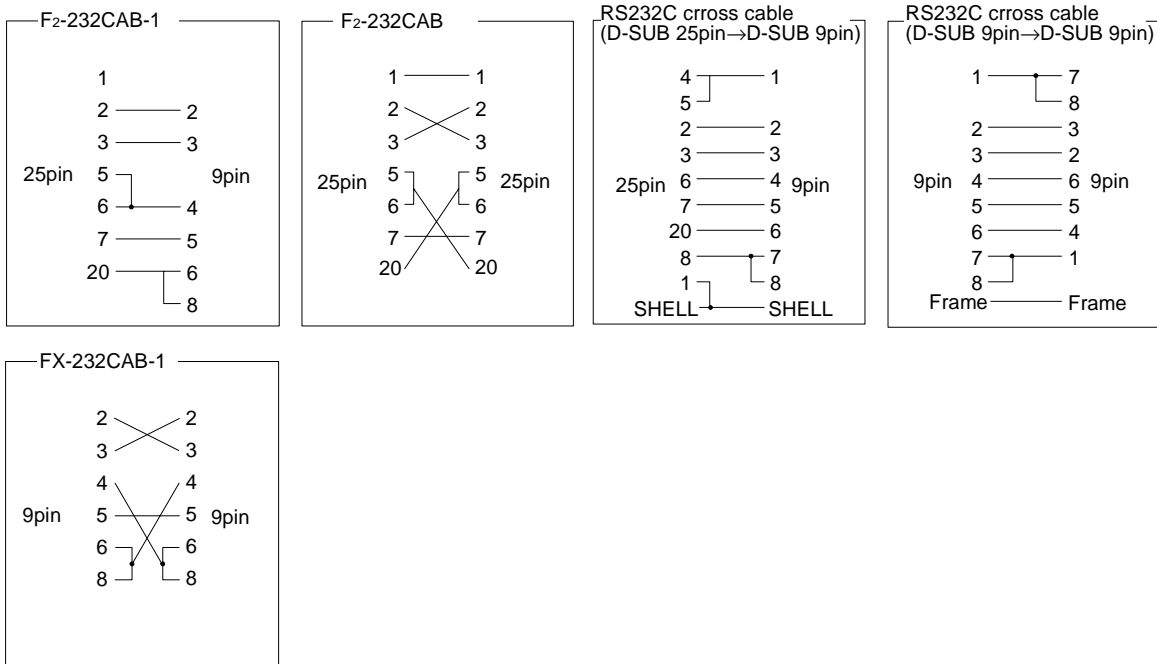
RS232C connector of personal computer	FX <sub>2N</sub> -232-BD side	Personal computer side
D-SUB 9 pin	F2-232CAB-1	Gender changer
	FX-232CAB-1	
	RS232C cross cable (D-SUB 9 pin to D-SUB 9 pin) see the reference bellow	
D-SUB 25 pin	RS232C cross cable (D-SUB 25 pin to D-SUB 9 pin) see the reference bellow	
	F2-232CAB-1	

#### 2) FX<sub>0N</sub>-232ADP

RS232C connector of personal computer	Cable
D-SUB 25 pin	F2-232CAB
D-SUB 9 pin	F2-232CAB-1



**Note: Reference**



### 11.3 Cautions on Use

#### 11.3.1 Cautions on Setting

Never set communication to the FX2N series using peripheral equipment or program. If communication is set in such a way, communication between peripheral equipment is disabled.

#### 11.3.2 Cautions on use



Connect a programming tool (FX-10P, FX-20P, A7HGP/PHP, etc.) to either a connector built in to the programmable controller, the connector of the FX2N-422-BD, the connector of the FX2N-232-BD or the connector of the FX0N-232-ADP. If the programming tool is connected to both connectors, the following phenomena may occur.

- 1 ) A program in the programmable controller may be different from a program in the programming tool. If the program is modified or the set value of the timer, the counter, etc. is modified in this status, a part of the program may be damaged and the programmable controller may malfunction.
- 2 ) If the sampling trace function provided in the programmable controller is used in both ports, correct sampling trace results cannot be obtained.

# Memo

1	Introduction
2	Wiring
3	Specifications
4	N:N network
5	Parallel link
6	Communication format (D8120)
7	Computer link
8	Commands (for computer link)
9	RS instruction
10	FX <sub>2</sub> N-232IF
11	Optional programming port
12	Diagnostics
A	Further Information Manual List
B	ASCII code Lists



# 12. Diagnostics

## 12.1 Common Items

- 1) Check the connection with the communication unit of the programmable controller and the option. When the connection is unstable, the communication cannot be corrected.  
For the installation and the connection method, refer to the manual of the communication unit of the option.
- 2) Check whether the VRRD or VRSC instruction is used in used in the program.  
If it is used, delete it, turn off the power of the programmable controller, then turn it on again.
- 3) Each setting of communication format (D8120), parameter of programmable controller by FX-PCS/WIN-E, N:N network (D8173 to D8180) and parallel link (M8070,M8071) is suitable for the usage or it checks. The communication is not correctly done if setting is not suitable for the usage.  
When each setting is changed, please turn off the power supply of the programmable controller, and turn it on again.
- 4) When you use FX<sub>0</sub>N-485ADP and FX-485ADP, please the power supply for the drive must be supplied correctly or check.

## 12.2 N:N Network

### 12.2.1 Error Code

When station occur communication error, auxiliary relays (FX<sub>2N</sub>: M8183 to M8191, FX<sub>0N</sub>: M504 to M511) of communication error is ON in the station. And the error code put into data registers FX<sub>2N</sub>: D8211 to D8218, FX<sub>0N</sub>: D211 to D218). This is error code is following the table.

Error code	Meaning	Error station	Check station	Description	Checking points
01H	Comms time-out error	L	M	After master station send request to slave station, no answer passing comms time-out.	Check wiring, power of programmable controller, RUN/STOP state (RUN is OK)
02H	Station No. error	L	M	Station No. is not agreement between the master station and the slave station.	Check wiring
03H	Comms counter error	L	M	Communication counter is not agreement between the master station and the slave station.	Check wiring
04H	Comms format error	L	M, L	Communication format is not right from slave station.	Check wiring, power of programmable controller, RUN/STOP state (RUN is OK), station No. setting
11H	Comms time-out error	M	L	After slave station send answer to master station, master station do not send request to next slave station.	Check wiring, power of programmable controller, RUN/STOP state (RUN is OK)
14H	Comms format error	M	L	Communication format is not right from master station.	Check wiring, power of programmable controller, RUN/STOP state (RUN is OK), station No. setting
21H	No slave error	L	L *1	The station No. is not in this network.	Check station No. setting.
22H	Station No. error	L	L *1	Station No. is not agreement between the master station and the slave station.	Check wiring
23H	Comms counter error	L	L *1	Communication counter is not agreement between the master station and the slave station.	Check wiring
31H	Not receive comms parameter error	L	L *2	When slave station receive request from master station before communication parameter.	Check wiring, power of programmable controller, RUN/STOP state (RUN is OK)

M : Master station L : Slave station  
 \*1 Another slave station \*2 Self station

### 12.2.2 Diagnostics

- 1) Check the status of the RD LED and the SD LED provided on each 485BD.
  - If both of them are lighted and extinguished, nothing is wrong.
  - If the RD LED is lighted/extinguished but the SD LED is not lighted/extinguished (not lighted at all), check the setting of the station No., the transmission rate (baud rate) and the total number of slave stations.
  - If the RD LED is not lighted/extinguished, check the wiring.
- 2) Make sure that the communication error (FX<sub>2N</sub>: M8183 to M8190, FX<sub>0N</sub>: M504 to M511) in each slave station is not turned on and that the data communication flag (FX<sub>2N</sub>: M8191, FX<sub>0N</sub>: M503) is not turned off. When one of the communication error flag is turned on or if the data communication flag is turned off, check the error code of data registers (FX<sub>2N</sub>: D8211 to D8218, FX<sub>0N</sub>: D211 to D218).  
 Please see the following section 12.2.1.

## 12.3 Parallel Link

### 12.3.1 Diagnostics

- 1) Check the status of the RD(RXD) LED and the SD(TXD) LED provided on each communication unit.
  - If both of them are lighted and extinguished, nothing is wrong.
  - If the RD(RXD) LED is lighted/extinguished but the SD(TXD) LED is not lighted/extinguished (not lighted at all), check the setting of the master station and the slave stations.
  - If the RD(RXD) LED is not lighted/extinguished, check the wiring.
- 2) Make sure that the master station and the slave stations are set correctly. If the setting is incorrect, correct it.
- 3) Make sure that the devices for the master station and the slave stations are handled correctly. If they are handled incorrectly, correct the program so that they are handled correctly.

## 12.4 Computer Link

### 12.4.1 NAK Error Code

The error code is sent following a NAK response to indicate the type of error that occurred. It is transmitted as two ASCII characters representing the hexadecimal codes ranging from 00H to FFH.

If two or more errors occur simultaneously, the error code with the lowest number is transmitted.

Error code (hexadecimal)	Error description
00H, 01H	—
02H	Sum error
03H	Protocol error (the communication protocol does not conform to the format selected with D8120)
04H, 05H	—
06H	Character area error (the character area is incorrectly defined, or the specified command is not available)
07H	Character error (the data to be written to a device consists of ASCII codes other than hexadecimal codes)
08H~09H	—
10H	PC number error (the PC number is not set to "FF" or not available from this station)
11H~17H	—
18H	Remote error (remote run/stop is disabled)

### 12.4.2 Programmable Controller Error Code

With the FX series programmable controllers, the following errors are not transmitted using a NAK, but instead are shown at the programmable controller by switching on special auxiliary relay M8063, and storing the error code in special data register D8063.

Error code (in D8063)	Error description
6301	Parity, overrun, framing error
6305	Command failure receiving a command other than GW (global) when the station number is "FF"
6306	Monitor timer over (message to be received is insufficient)

Because these errors are not transmitted it must be programmed at the computer so as to recognize an error by using a watchdog timer or other monitor timer.



### 12.4.3 Diagnostics

- 1) Check the status of the RD(RXD) LED and the SD(TXD) LED provided on each communication unit.
  - If both of them are lighted and extinguished, nothing is wrong.
  - If the RD(RXD) LED is lighted/extinguished but the SD(TXD) LED is not lighted/extinguished (not lighted at all), check the setting of the station No. and the transmission rate (baud rate).
  - If the RD(RXD) LED is not lighted/extinguished, check the wiring and confirm the connection with the programmable controller.
- 2) Make sure that the communication procedure is performed correctly. If it is not performed correctly, correct the setting in the computer.
- 3) Check the NAK error code and programmable controller error code.  
Please see the following section 12.4.1 and section 12.4.2.

## 12.5 RS Instruction

### 12.5.1 Diagnostics

- 1) Check the status of the RD (RXD) LED and the SD (TXD) LED provided in an optional equipment.
  - If the RD (RXD) LED is not lighted while data is received or the SD (TXD) LED is not lighted while data is sent, check the installation and the wiring.
  - When the RD (RXD) LED is lighted while data is received or the SD (TXD) LED is lighted while data is sent, the installation and the wiring are correct.
- 2) Make sure the timing of data send/receive. For example, make sure that the counterpart equipment is ready for receive before starting to send data to it.
- 3) When the terminator is not used, check whether the send data capacity is equivalent to the acceptable data capacity. If the send data capacity may be changed, use the terminator.
- 4) Make sure that the external equipment is correctly operating.
- 5) Check whether the type of send data and the type of receive data are equivalent. If they are different, make them equivalent.
- 6) When two or more RS instructions are used in the program, make sure that only one RS instruction is actuated in one operation cycle.  
Never turn off the RS instruction while data is received or sent.
- 7) In the FX<sub>2N</sub> Series (V 2.00 or later), an RS instruction is not executed if the counterpart equipment receives "NAK".  
Arrange the system so that the RS instruction is executed even if the counterpart equipment receives "NAK".

## 12.6 FX<sub>2</sub>N-232IF

### 12.6.1 Error code

When an error occurs while data is sent or received, the BFM #28 b3 is set to ON and the error code is saved in the BFM #29.

Code	Description	Causes and countermeasures
0	No error	—
1	Receive parity error, overrun error, framing error	Communication format such as baud rate is not matched. Control timing is not matched.
2	Undefined	—
3	Defective receive character	Receive data is not ASCII code.
4	Receive sum check error	Receive sum is not equal calculated sum result (BFM #16).
5	Receive buffer overflow (only in interlink connection mode)	Receive byte count exceeds 512+30 bytes. Decrease receive upper byte count (BFM #2), and increase spare receive buffer area.
6	Baud rate setting error	Non-existing baud rate is specified.
7	Receive CR error	CR is not placed in correct position.
8	Receive LF error	LF is not placed in correct position.
9	Send/receive initial terminator setting error	Initial terminator is other than 01H to 1FH.
10	Receive terminator error	Receive terminator is not placed in correct position or not matched.
11	Undefined	—
12	Transmission sequence error	Transmission sequence is not matched.

### 12.6.2 Diagnostics

- 1) Check the status of the POWER LED provided in the FX<sub>2</sub>N-232IF.
  - When it is lighted, the drive power is correctly supplied.
  - If it is extinguished, supply the drive power correctly.
- 2) Check the status of the SD LED and the RD LED provided in the FX<sub>2</sub>N-232IF.
  - If the RD LED is not lighted while data is received or the SD LED is not lighted while data is sent, check the installation and the wiring.
  - When the RD LED is lighted while data is received or the SD LED is lighted while data is sent, the installation and the wiring are correct.
- 3) Make sure that the communication setting (BFM #0) of the FX<sub>2</sub>N-232IF is equivalent to that of the external equipment. If they are not equivalent each other, make them equivalent.
- 4) Make sure the timing of data send/receive. For example, make sure that the counterpart equipment is ready for receive before starting to send data to it.
- 5) When the terminator is not used, check whether the send data capacity is equivalent to the acceptable data capacity. If the send data capacity may be changed, use the terminator.
- 6) Make sure that the external equipment is correctly operating.
- 7) Check whether the type of send data and the type of receive data are equivalent. If they are different, make them equivalent.

## 12.7 Using Optional Programming Port

### 12.7.1 FX1S, FX1N and FX2N(C) earlier V2.00

- 1) Make sure that the communication format is set to the initial status (D8120 = K0).  
Using a peripheral equipment, check the communication setting by parameters. If a non-procedure protocol (RS instruction) or dedicated protocol is selected in the setting, clear the setting using the peripheral equipment.
- 2) When an RS instruction is used in the program, delete the RS instruction, turn off the power of the programmable controller, then turn it on again.

### 12.7.2 FX2N, FX2NC whose version is V 2.00 or later

If an RS instruction is used in the program, make sure that it is not executed. If it is executed, the RS instruction has the priority.

1	Introduction
2	Wiring
3	Specifications
4	N:N network
5	Parallel link
6	Communication format (D8120)
7	Computer link
8	Commands (for computer link)
9	RS instruction
10	FX <sub>2</sub> N-232IF
11	Optional programming port
12	Diagnostics
A	Further Information Manual List
B	ASCII code Lists



## Appendix A: Further Information Manual List

**Table A-1: Further Information Manual List**

Manual name	Manual No.	Description
FX1S Hardware Manual	JY992D83901	This manual contains written hardware explanation of wiring, installation and specification, etc. regarding the FX1S Series programmable controller.
FX0 / FX0N Hardware Manual	JY992D47501	This manual contains written hardware explanation of wiring, installation and specification, etc. regarding the FX1S and FX1N Series programmable controllers.
FX Hardware Manual	JY992D47401	This manual contains written hardware explanation of wiring, installation and specification, etc. regarding the FX Series programmable controller.
FX2c Supplementary Manual	JY992D50201	This manual contains supplementary data regarding the FX Series programmable controller Hardware Manual
FX1N Hardware Manual	JY992D88201	This manual contains written hardware explanation of wiring, installation and specification, etc. regarding the FX1N Series programmable controller.
FX2N Hardware Manual	JY992D66301	This manual contains written hardware explanation of wiring, installation and specification, etc. regarding the FX2N Series programmable controller.
FX2NC Hardware Manual	JY992D76401	This manual contains written hardware explanation of wiring, installation and specification, etc. regarding the FX2NC Series programmable controller.
FX Programming Manual	JY992D48301	This manual contains written instructions regarding the FX0, FX0S, FX0N, FX, FX2C, FX2N and FX2NC Series programmable controllers.
FX Programming Manual II	JY992D88101	This manual contains written instructions regarding the FX1S, FX1N, FX2N and FX2NC Series programmable controllers.
FX / FX0N-485ADP User's Guide I	JY992D53201	This manual contains written hardware explanation of installation and specification regarding the FX-485ADP and FX0N-485ADP.
FX-232ADP User's Guide	JY992D48801	This manual contains written hardware explanation of installation and specification regarding the FX-232ADP.
FX0N-232ADP User's Guide	JY992D51301	This manual contains written hardware explanation of installation and specification regarding the FX0N-232ADP.
FX2N-232-BD User's Guide	JY992D66001	This manual contains written hardware explanation of installation and specification regarding the FX2N-232-BD.
FX2N-485-BD Hardware Manual	JY992D73401	This manual contains written hardware explanation of installation and specification regarding the FX2N-485-BD.
FX2N-422-BD User's Guide	JY992D66101	This manual contains written hardware explanation of installation and specification regarding the FX2N-422-BD.

**Table A-1: Further Information Manual List**

Manual name	Manual No.	Description
FX <sub>1N</sub> -232-BD Hardware Manual	JY992D84501	This manual contains written hardware explanation of installation and specification regarding the FX <sub>1N</sub> -232-BD.
FX <sub>1N</sub> -485-BD Hardware Manual	JY992D84301	This manual contains written hardware explanation of installation and specification regarding the FX <sub>1N</sub> -485-BD.
FX <sub>1N</sub> -422-BD User's Guide	JY992D84101	This manual contains written hardware explanation of installation and specification regarding the FX <sub>1N</sub> -422-BD.
FX-485-IF Hardware Manual	JY992D81801	This manual contains written hardware explanation of installation and specification regarding the FX-485-IF.



1	Introduction
2	Wiring
3	Specifications
4	N:N network
5	Parallel link
6	Communication format (D8120)
7	Computer link
8	Commands (for computer link)
9	RS instruction
10	FX <sub>2</sub> N-232IF
11	Optional programming port
12	Diagnostics
A	Further Information Manual List
B	ASCII code Lists



## Appendix B: ASCII code Lists

**Table B-1: ASCII code Lists**

Hex code	0	1	2	3	4	5	6	7
0		DLE	SP	0	@	P	`	p
1	SOH	DC1	!	1	A	Q	a	q
2	STX	DC2	"	2	B	R	b	r
3	ETX	DC3	#	3	C	S	c	s
4	EOT	DC4	\$	4	D	T	d	t
5	ENQ	NAK	%	5	E	U	e	u
6	ACK	SYN	&	6	F	V	f	v
7	BEL	ETB	'	7	G	W	g	w
8	BS	CAN	(	8	H	X	h	x
9	HT	EM	)	9	I	Y	i	y
A	LF	SUB	*	:	J	Z	j	z
B	VT	ESC	+	;	K	[	k	{
C	FF	FS	,	<	L	\	l	
D	CR	GS	-	=	M	]	m	}
E	SO	RS	.	>	N	^	n	~
F	SI	US	/	?	O	_	o	DEL

# MEMO



# USER'S MANUAL

FX COMMUNICATION (RS-232C, RS-485)



HEAD OFFICE: MITSUBISHI DENKI BLDG MARUNOUCHI TOKYO 100-8310 TELEX: J24532 CABLE MELCO TOKYO  
HIMEJI WORKS: 840, CHIYODA CHO, HIMEJI, JAPAN

JY992D69901C  
(MEE0003)

Effective Mar. 2000  
Specification are subject  
to change without notice.