

Product Discontinuation Notices

Vision Sensors / Machine Vision Systems

Issue Date
November 4, 2014

No. 2014075CE-2

Discontinuation Notice of LED Light System 3Z4S-LT Series. (For china area only)

Product Discontinuation

Lighting System



Model 3Z4S-LT Series



Recommended Replacement

Light Units

Model FLV Series

[Discontinuation date]

The end of September, 2015

[Caution on recommended replacement]

Please use exclusive power supply and extension cable, when using FLV Series.

[Difference from discontinued product]

Recommended replacement Model	Body Color	Dimen-sions	Wire connection	Mounting Dimensions	Charact-eristics	Operation ratings	Operation methods
Model FLV-DR Series	*	--	--	--	--	*	-
Model FLV-DL Series	*	--	--	--	--	*	-
Model FLV-EP Series	*	--	--	--	--	*	-
Model FLV-CL Series	*	--	--	--	--	*	-
Model FLV-FR Series	*	--	--	--	--	*	-
Model FLV-FS Series	*	--	--	--	--	*	-
Model FLV-FP Series	*	--	--	--	--	*	-
Model FLV-FQ Series	*	--	--	--	--	*	-
Model FLV-BR Series	*	--	--	--	--	*	-
Model FLV-DD Series	*	--	--	--	--	*	-
Model FLV-FB Series	*	--	--	--	--	*	-
Model FLV-DB Series	*	--	--	--	--	*	-
Model FLV-ATC Series	*	--	--	--	--	*	-
Model FLV-XC Series	*	--	--	--	--	*	-

** : Compatible

* : The change is a little/Almost compatible

-- : Not compatible

- : No corresponding specification

[Product Discontinuation and recommended replacement]

Product discontinuation	Recommended replacement
Model 3Z4S-LT MDRL-CB10	Model FLV-DR3220B
Model 3Z4S-LT MDRL-CB16	Model FLV-DR5030B
Model 3Z4S-LT MDRL-CB28	Model FLV-DR5030B
Model 3Z4S-LT MDRL-CB31	Model FLV-DR6615B
Model 3Z4S-LT MDRL-CB35	Model FLV-DR7000B
Model 3Z4S-LT MDRL-CB36	Model FLV-DR7030B
Model 3Z4S-LT MDRL-CB50	Model FLV-DR9215B
Model 3Z4S-LT MDRL-CB56	Model FLV-DR12030B
Model 3Z4S-LT MDRL-CR10	Model FLV-DR3220R
Model 3Z4S-LT MDRL-CR16	Model FLV-DR5030R
Model 3Z4S-LT MDRL-CR28	Model FLV-DR5030R
Model 3Z4S-LT MDRL-CR31	Model FLV-DR6615R
Model 3Z4S-LT MDRL-CR35	Model FLV-DR7000R
Model 3Z4S-LT MDRL-CR36	Model FLV-DR7030R
Model 3Z4S-LT MDRL-CR50	Model FLV-DR9215R
Model 3Z4S-LT MDRL-CR56	Model FLV-DR12030R
Model 3Z4S-LT MDRL-CW10	Model FLV-DR3220W
Model 3Z4S-LT MDRL-CW16	Model FLV-DR5030W
Model 3Z4S-LT MDRL-CW28	Model FLV-DR5030W
Model 3Z4S-LT MDRL-CW31	Model FLV-DR6615W
Model 3Z4S-LT MDRL-CW35	Model FLV-DR7000W
Model 3Z4S-LT MDRL-CW36	Model FLV-DR7030W
Model 3Z4S-LT MDRL-CW50	Model FLV-DR9215W
Model 3Z4S-LT MDRL-CW56	Model FLV-DR12030W
Model 3Z4S-LT MLRL-CB100	Model FLV-DL15060B
Model 3Z4S-LT MLRL-CB25	Model FLV-DL5890B
Model 3Z4S-LT MLRL-CB46	Model FLV-DL9090B
Model 3Z4S-LT MLRL-CB48	Model FLV-DL7260B
Model 3Z4S-LT MLRL-CB68	Model FLV-DL12060B
Model 3Z4S-LT MLRL-CR100	Model FLV-DL15060R
Model 3Z4S-LT MLRL-CR25	Model FLV-DL5890R
Model 3Z4S-LT MLRL-CR46	Model FLV-DL9090R
Model 3Z4S-LT MLRL-CR48	Model FLV-DL7260R
Model 3Z4S-LT MLRL-CR68	Model FLV-DL12060R
Model 3Z4S-LT MLRL-CW100	Model FLV-DL15060W
Model 3Z4S-LT MLRL-CW25	Model FLV-DL5890W
Model 3Z4S-LT MLRL-CW46	Model FLV-DL9090W
Model 3Z4S-LT MLRL-CW48	Model FLV-DL7260W
Model 3Z4S-LT MLRL-CW68	Model FLV-DL12060W
Model 3Z4S-LT MCEL-CB8	Model FLV-EP0803B
Model 3Z4S-LT MCEL-CR8	Model FLV-EP0803R
Model 3Z4S-LT MCEL-CW8	Model FLV-EP0803W
Model 3Z4S-LT MSCL-CB105-B	Model FLV-CL100B
Model 3Z4S-LT MSCL-CB24	Model FLV-CL30B
Model 3Z4S-LT MSCL-CB39	Model FLV-CL40B
Model 3Z4S-LT MSCL-CB56-B	Model FLV-CL60B
Model 3Z4S-LT MSCL-CB74-B	Model FLV-CL80B

Product discontinuation	Recommended replacement
Model 3Z4S-LT MSCL-CR105-B	Model FLV-CL100R
Model 3Z4S-LT MSCL-CR24	Model FLV-CL30R
Model 3Z4S-LT MSCL-CR39	Model FLV-CL40R
Model 3Z4S-LT MSCL-CR56-B	Model FLV-CL60R
Model 3Z4S-LT MSCL-CR74-B	Model FLV-CL80R
Model 3Z4S-LT MSCL-CW105-B	Model FLV-CL100W
Model 3Z4S-LT MSCL-CW24	Model FLV-CL30W
Model 3Z4S-LT MSCL-CW39	Model FLV-CL40W
Model 3Z4S-LT MSCL-CW56-B	Model FLV-CL60W
Model 3Z4S-LT MSCL-CW74-B	Model FLV-CL80W
Model 3Z4S-LT MSRL-CB44	Model FLV-FR150B
Model 3Z4S-LT MSRL-CR20	Model FLV-FS74R
Model 3Z4S-LT MSRL-CR33	Model FLV-FR114R
Model 3Z4S-LT MSRL-CR44	Model FLV-FR150R
Model 3Z4S-LT MSRL-CW20	Model FLV-FS74W
Model 3Z4S-LT MSRL-CW33	Model FLV-FR114W
Model 3Z4S-LT MSRL-CW44	Model FLV-FR150W
Model 3Z4S-LT MSLL-CR109	Model FLV-FP130R
Model 3Z4S-LT MSLL-CW109	Model FLV-FP130W
Model 3Z4S-LT MSQL-CW32	No recommended replacement
Model 3Z4S-LT MSQL-CW48	Model FLV-FQ48W
Model 3Z4S-LT MBRL-CB13015	Model FLV-BR15020B
Model 3Z4S-LT MBRL-CB5015	Model FLV-BR6022B
Model 3Z4S-LT MBRL-CB7530	Model FLV-BR8532B
Model 3Z4S-LT MBRL-CIR7530	Model FLV-BR6022IR
Model 3Z4S-LT MBRL-CR13015	Model FLV-BR15020R
Model 3Z4S-LT MBRL-CR5015	Model FLV-BR6022R
Model 3Z4S-LT MBRL-CR7530	Model FLV-BR8532R
Model 3Z4S-LT MBRL-CW13015	Model FLV-BR15020W
Model 3Z4S-LT MBRL-CW24015	Model FLV-BR21222W
Model 3Z4S-LT MBRL-CW36015	Model FLV-BR38037W
Model 3Z4S-LT MBRL-CW48015	Model FLV-BR48031W
Model 3Z4S-LT MBRL-CW5015	Model FLV-BR6022W
Model 3Z4S-LT MBRL-CW7530	Model FLV-BR8532W
Model 3Z4S-LT MDML-CR50	Model FLV-DD70R
Model 3Z4S-LT MDML-CW50	Model FLV-DD70W
Model 3Z4S-LT MEBL-CB10080	Model FLV-FB130130B
Model 3Z4S-LT MEBL-CB145	Model FLV-FB200200B
Model 3Z4S-LT MEBL-CB25	Model FLV-FB5050B
Model 3Z4S-LT MEBL-CB50	Model FLV-FB7070B
Model 3Z4S-LT MEBL-CB7050	Model FLV-FB9090B
Model 3Z4S-LT MEBL-CR10080	Model FLV-FB130130R
Model 3Z4S-LT MEBL-CR145	Model FLV-FB200200R
Model 3Z4S-LT MEBL-CR25	Model FLV-FB5050R
Model 3Z4S-LT MEBL-CR50	Model FLV-FB7070R
Model 3Z4S-LT MEBL-CR7050	Model FLV-FB9090R
Model 3Z4S-LT MEBL-CW10080	Model FLV-FB130130W
Model 3Z4S-LT MEBL-CW145	Model FLV-FB200200W

Product discontinuation	Recommended replacement
Model 3Z4S-LT MEBL-CW25	Model FLV-FB5050W
Model 3Z4S-LT MEBL-CW50	Model FLV-FB7070W
Model 3Z4S-LT MEBL-CW7050	Model FLV-FB9090W
Model 3Z4S-LT MDBL-CB100	Model FLV-DB130130B
Model 3Z4S-LT MDBL-CB180100	Model FLV-DB212152B
Model 3Z4S-LT MDBL-CB25	Model FLV-DB3729B
Model 3Z4S-LT MDBL-CB70	Model FLV-DB10181B
Model 3Z4S-LT MDBL-CR100	Model FLV-DB130130R
Model 3Z4S-LT MDBL-CR180100	Model FLV-DB212152R
Model 3Z4S-LT MDBL-CR25	Model FLV-DB3729R
Model 3Z4S-LT MDBL-CR70	Model FLV-DB10181R
Model 3Z4S-LT MDBL-CW100	Model FLV-DB130130W
Model 3Z4S-LT MDBL-CW180100	Model FLV-DB212152W
Model 3Z4S-LT MDBL-CW25	Model FLV-DB3729W
Model 3Z4S-LT MDBL-CW70	Model FLV-DB10181W
Model 3Z4S-LT MDBC-CR100	Model FLV-DB130130R
Model 3Z4S-LT MDBC-CR150	Model FLV-FB130130R
Model 3Z4S-LT MDBC-CW100	Model FLV-DB130130W
Model 3Z4S-LT MDBC-CW150	Model FLV-FB130130W
Model 3Z4S-LT MDQL-CR108	No recommended replacement
Model 3Z4S-LT MDQL-CR58	No recommended replacement
Model 3Z4S-LT MDQL-CW108	No recommended replacement
Model 3Z4S-LT MDQL-CW58	No recommended replacement
Model 3Z4S-LT MCEP-CB8	Model FLV-EP0803B
Model 3Z4S-LT MCEP-CR8	Model FLV-EP0803R
Model 3Z4S-LT MCEP-CW8	Model FLV-EP0803W
Model 3Z4S-LT MCBP-CB3430	No recommended replacement
Model 3Z4S-LT MCBP-CW3430	No recommended replacement
Model 3Z4S-LT MSPP-CR42	Model FLV-EP50R
Model 3Z4S-LT MSPP-CR74	Model FLV-EP50R
Model 3Z4S-LT MSPP-CW42	Model FLV-EP50W
Model 3Z4S-LT MSPP-CW74	Model FLV-EP50W
Model 3Z4S-LT MCEP-AD3LGB	No recommended replacement
Model 3Z4S-LT MCEP-ADLG	No recommended replacement
Model 3Z4S-LT MLEK-A080W1LRD-100V	No recommended replacement
Model 3Z4S-LT MLEK-A080W1LRD-200V	No recommended replacement
Model 3Z4S-LT MLEK-A080W2LRD-100V	No recommended replacement
Model 3Z4S-LT MLEK-A080W2LRD-200V	No recommended replacement
Model 3Z4S-LT MLEK-A080W1LR-100V	Model FLV-ATC21024-O
Model 3Z4S-LT MLEK-A080W1LR-200V	Model FLV-ATC21024-O
Model 3Z4S-LT MLEK-A080W2LR-100V	Model FLV-ATC21024-O
Model 3Z4S-LT MLEK-A080W2LR-200V	Model FLV-ATC21024-O
Model 3Z4S-LT MLEK-A230W1LR-100V	Model FLV-ATC21024-O
Model 3Z4S-LT MLEK-A230W1LR-200V	Model FLV-ATC21024-O
Model 3Z4S-LT MLEK-A230W2LR-100V	Model FLV-ATC21024-O
Model 3Z4S-LT MLEK-A230W2LR-200V	Model FLV-ATC21024-O
Model 3Z4S-LT MLEK-A230W1LRD-100V	No recommended replacement
Model 3Z4S-LT MLEK-A230W1LRD-200V	No recommended replacement

Product discontinuation	Recommended replacement
Model 3Z4S-LT MLEK-A230W2LRDB-100V	No recommended replacement
Model 3Z4S-LT MLEK-A230W2LRDB-200V	No recommended replacement
Model 3Z4S-LT MLEK-D770W4LRD-100V	No recommended replacement
Model 3Z4S-LT MLEK-D770W4LRD-200V	No recommended replacement
Model 3Z4S-LT MLEP-A035W1LRD-100V	No recommended replacement
Model 3Z4S-LT MLEP-A035W1LRD-200V	No recommended replacement
Model 3Z4S-LT MLEP-A035W3LRD-100V	No recommended replacement
Model 3Z4S-LT MLEP-A035W3LRD-200V	No recommended replacement
Model 3Z4S-LT MLEP-A035W1LR-100V	Model FLV-ATC10405-O
Model 3Z4S-LT MLEP-A035W1LR-200V	Model FLV-ATC10405-O
Model 3Z4S-LT MLEP-A035W3LR-100V	Model FLV-ATC40405-O
Model 3Z4S-LT MLEP-A035W3LR-200V	Model FLV-ATC40405-O
Model 3Z4S-LT MLEP-A070W1LR-100V	Model FLV-ATC10405-O
Model 3Z4S-LT MLEP-A070W1LR-200V	Model FLV-ATC10405-O
Model 3Z4S-LT MLEP-A070W3LR-100V	Model FLV-ATC40405-O
Model 3Z4S-LT MLEP-A070W3LR-200V	Model FLV-ATC40405-O
Model 3Z4S-LT MLEP-A070W1LRD-100V	No recommended replacement
Model 3Z4S-LT MLEP-A070W1LRD-200V	No recommended replacement
Model 3Z4S-LT MLEP-A070W3LRD-100V	No recommended replacement
Model 3Z4S-LT MLEP-A070W3LRD-200V	No recommended replacement
Model 3Z4S-LT MDF-BR13015	Model FLV-BR15020DF
Model 3Z4S-LT MDF-BR5015	Model FLV-BR6022DF
Model 3Z4S-LT MDF-BR7530	Model FLV-BR8532DF
Model 3Z4S-LT MDF-DR10	Model FLV-DR3220DF
Model 3Z4S-LT MDF-DR16	No recommended replacement
Model 3Z4S-LT MDF-DR28	Model FLV-DR5030DF
Model 3Z4S-LT MDF-DR31	Model FLV-DR6615DF
Model 3Z4S-LT MDF-DR35	Model FLV-DR7000DF
Model 3Z4S-LT MDF-DR50	Model FLV-DR9215DF
Model 3Z4S-LT MDF-DR56	Model FLV-DR12030DF
Model 3Z4S-LT MDF-LR100	Model FLV-DL15060DF
Model 3Z4S-LT MDF-LR25	Model FLV-DL5890DF
Model 3Z4S-LT MDF-LR48	Model FLV-DL7260DF
Model 3Z4S-LT MDF-LR68	Model FLV-DL12060DF
Model 3Z4S-LT MDF-DQ108	No recommended replacement
Model 3Z4S-LT MPL-BR13015-B	Model FLV-BR15020PL
Model 3Z4S-LT MPL-BR5015-B	Model FLV-BR6022PL
Model 3Z4S-LT MPL-BR7530-B	Model FLV-BR8532PL
Model 3Z4S-LT MPL-DR10-B	Model FLV-DR3220PL
Model 3Z4S-LT MPL-DR16-B	No recommended replacement
Model 3Z4S-LT MPL-DR28-B	Model FLV-DR5030PL
Model 3Z4S-LT MPL-DR31-B	Model FLV-DR6615PL
Model 3Z4S-LT MPL-DR50-B	Model FLV-DR9215PL
Model 3Z4S-LT MPL-DR56-B	Model FLV-DR12030PL
Model 3Z4S-LT MPL-SC105	No recommended replacement
Model 3Z4S-LT MPL-SC56	No recommended replacement
Model 3Z4S-LT MPL-SC74	No recommended replacement
Model 3Z4S-LT M-RCB001L	No recommended replacement

Product discontinuation	Recommended replacement
Model 3Z4S-LT M-RCB002L	No recommended replacement
Model 3Z4S-LT M-RCB003L	No recommended replacement
Model 3Z4S-LT M-RCB301L	Model FLV-XC1EP
Model 3Z4S-LT M-RCB301XS	Model FLV-XC1EP
Model 3Z4S-LT M-RCB302L	Model FLV-XC2EP
Model 3Z4S-LT M-RCB303L	Model FLV-XC3EP
Model 3Z4S-LT M-RCB401L	Model FLV-XC1
Model 3Z4S-LT M-RCB402L	Model FLV-XC2
Model 3Z4S-LT M-RCB403L	Model FLV-XC3
Model 3Z4S-LT M-RCB405L	Model FLV-XC5
Model 3Z4S-LT M-XS402C	Model FLV-XC2EP
Model 3Z4S-LT M-XS405C	Model FLV-XC5EP
Model 3Z4S-LT M-XS410C	No recommended replacement
Model 3Z4S-LT MC-EXC-02	No recommended replacement
Model 3Z4S-LT MC-EXC-07	No recommended replacement
Model 3Z4S-LT MC-AC200A 2.0M	No recommended replacement
Model 3Z4S-LT MC-AC200B 2.0M	No recommended replacement
Model 3Z4S-LT LBK-003	No recommended replacement
Model 3Z4S-LT MAD-DR10	No recommended replacement
Model 3Z4S-LT MAD-DR16	No recommended replacement
Model 3Z4S-LT MAD-DR28	No recommended replacement
Model 3Z4S-LT MAD-DR31	No recommended replacement
Model 3Z4S-LT MAD-DR35	No recommended replacement
Model 3Z4S-LT MAD-DR50	No recommended replacement
Model 3Z4S-LT MAD-DR56	No recommended replacement
Model 3Z4S-LT MLA-DR1616	No recommended replacement
Model 3Z4S-LT MLA-DR3125	No recommended replacement
Model 3Z4S-LT MLA-DR3130	No recommended replacement
Model 3Z4S-LT MLA-DR31M255	No recommended replacement
Model 3Z4S-LT MLA-DR31M270	No recommended replacement
Model 3Z4S-LT MLA-DR31M305	No recommended replacement
Model 3Z4S-LT MLA-SCBS	No recommended replacement
Model 3Z4S-LT MLA-SCM255	No recommended replacement
Model 3Z4S-LT MLA-SCM270	No recommended replacement
Model 3Z4S-LT MLA-SCM305	No recommended replacement
Model 3Z4S-LT MLM-SC105	No recommended replacement
Model 3Z4S-LT MLM-SC56	No recommended replacement
Model 3Z4S-LT MLM-SC74	No recommended replacement
Model 3Z4S-LT ML-R64-25	No recommended replacement
Model 3Z4S-LT ML-R64-27	No recommended replacement
Model 3Z4S-LT ML-R64-30	No recommended replacement

[Body color]

Product discontinuation
Model 3Z4S-LT Series



Recommendable replacement
Model FLV Series

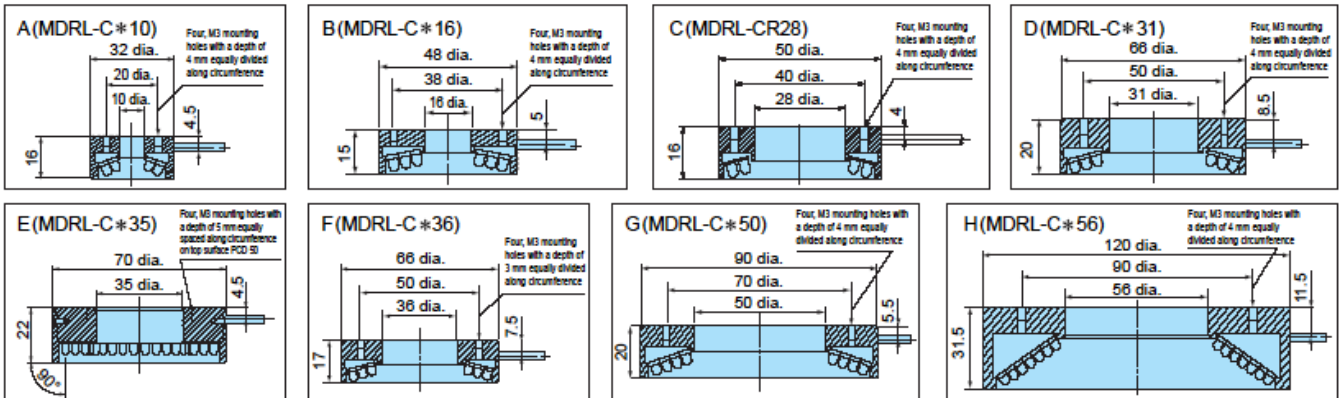


[Dimensions]

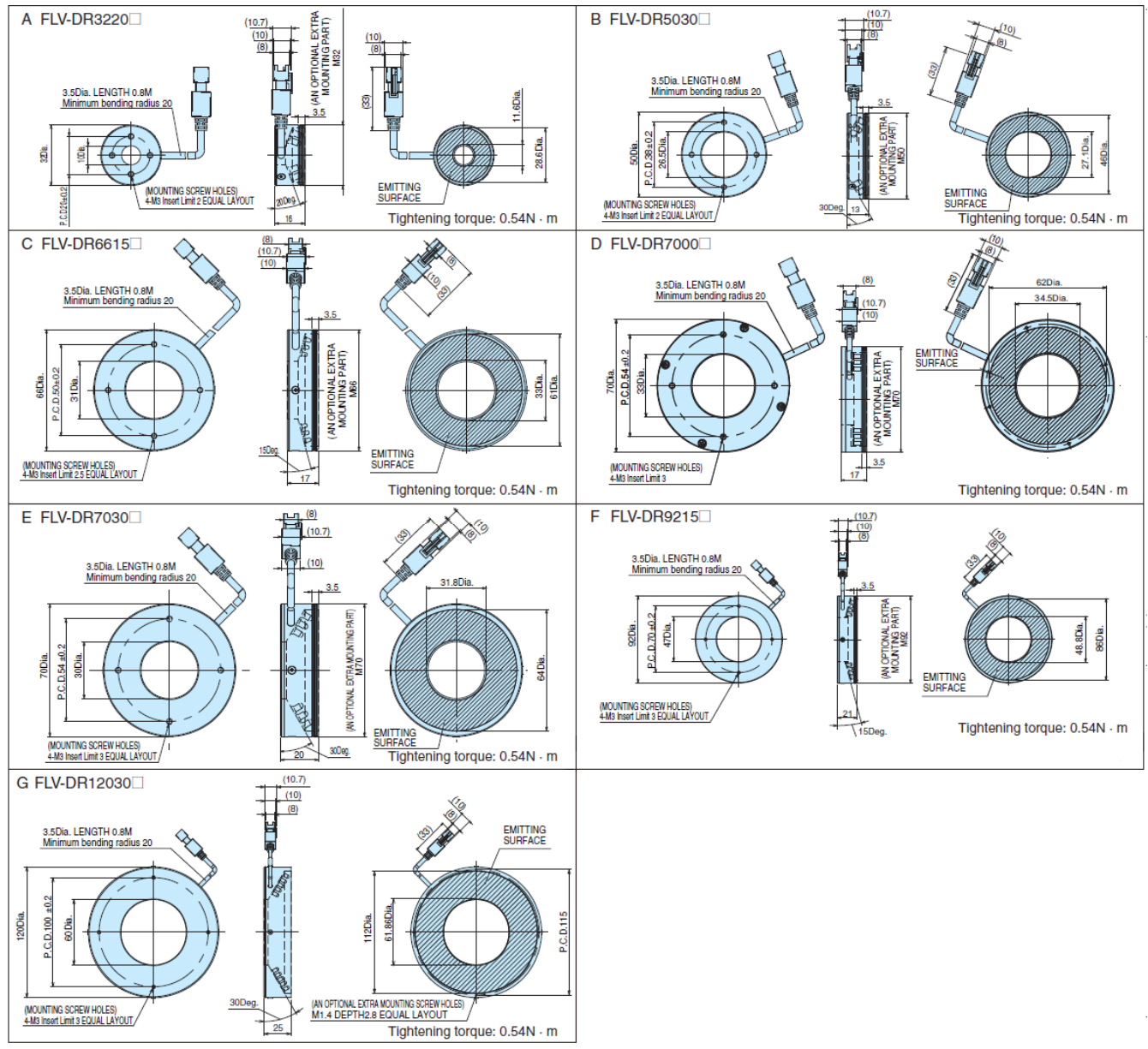
Product discontinuation
Direct Ring Light
Model 3Z4S-LT MDRL Series

Recommendable replacement
Direct Ring Light
Model FLV-DR Series

Model 3Z4S-LT MDRL Series



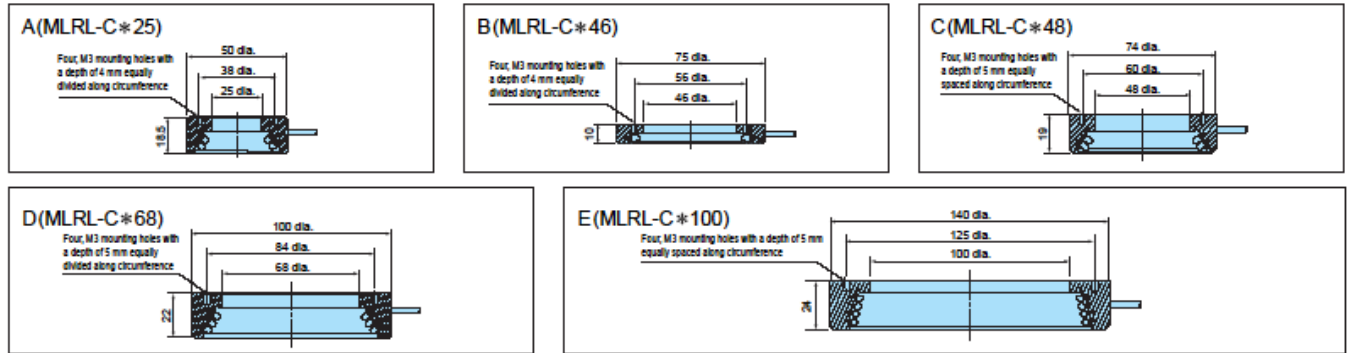
Model FLV-DR Series



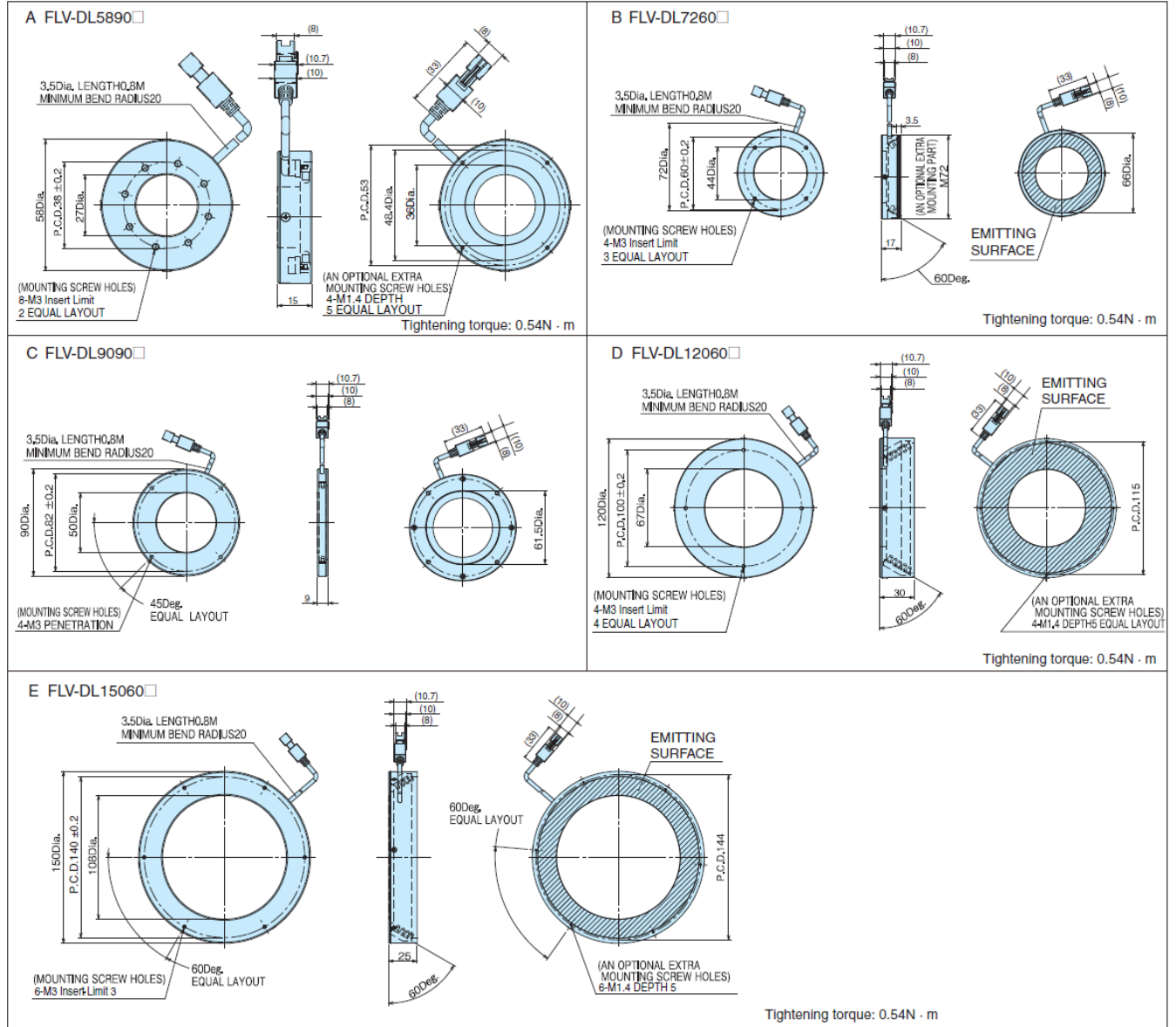
[Dimensions]

<p>Product discontinuation Low Angle Ring Model 3Z4S-LT MLRL Series</p>	<p>Recommendable replacement Low Angle Ring Model FLV-DL Series</p>
--	--

Model 3Z4S-LT MLRL Series



Model FLV-DL Series

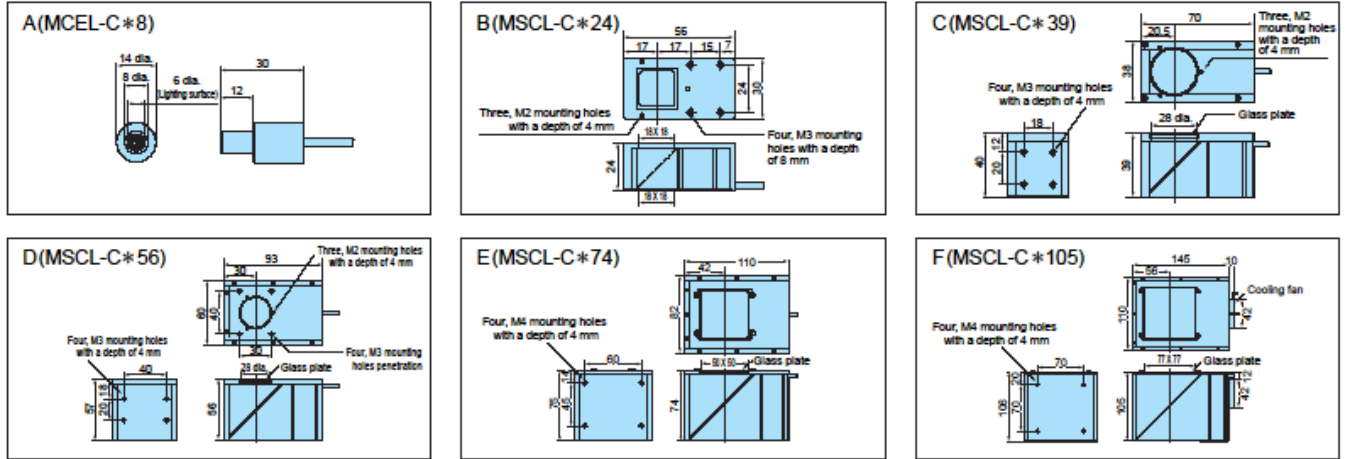


[Dimensions]

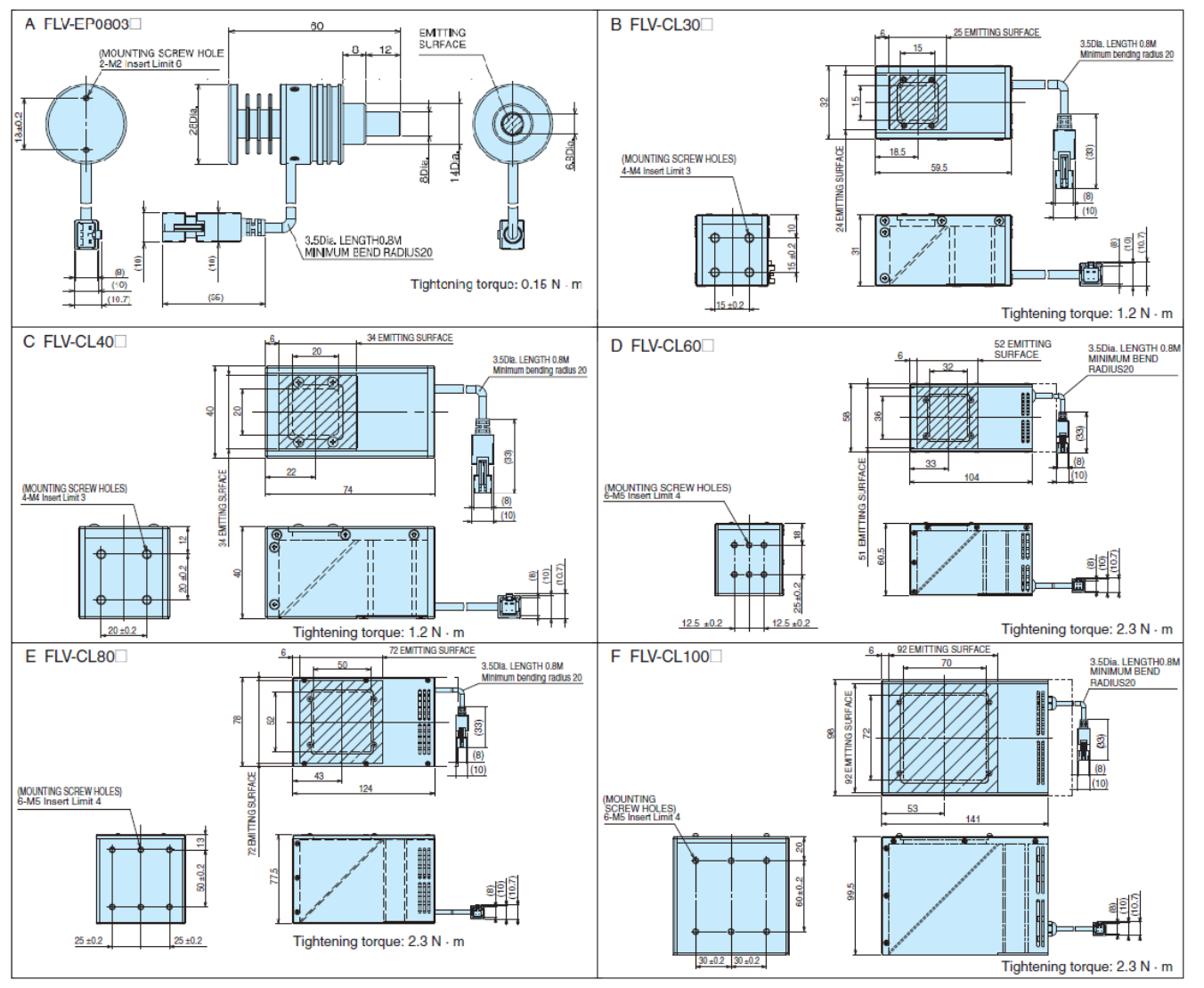
Product discontinuation
Coaxial
Model 3Z4S-LT MCEL Series
Simulated Coaxial Episcopic
Model 3Z4S-LT MSCL Series

Recommendable replacement
High-power Spot Light
Model FLV-EP08 Series
Coaxial
Model FLV-CL Series

Model 3Z4S-LT MCEL / MSCL Series



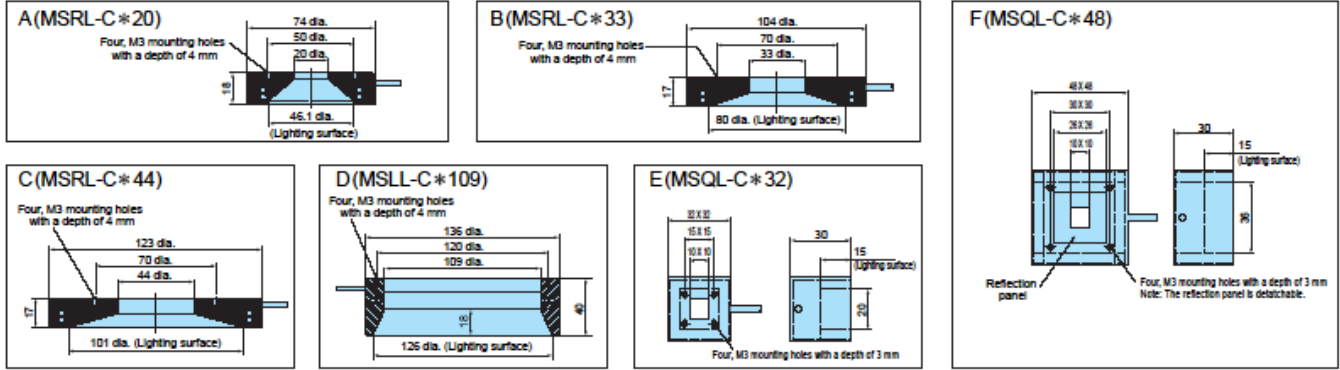
Model FLV-EP08 / -CL Series



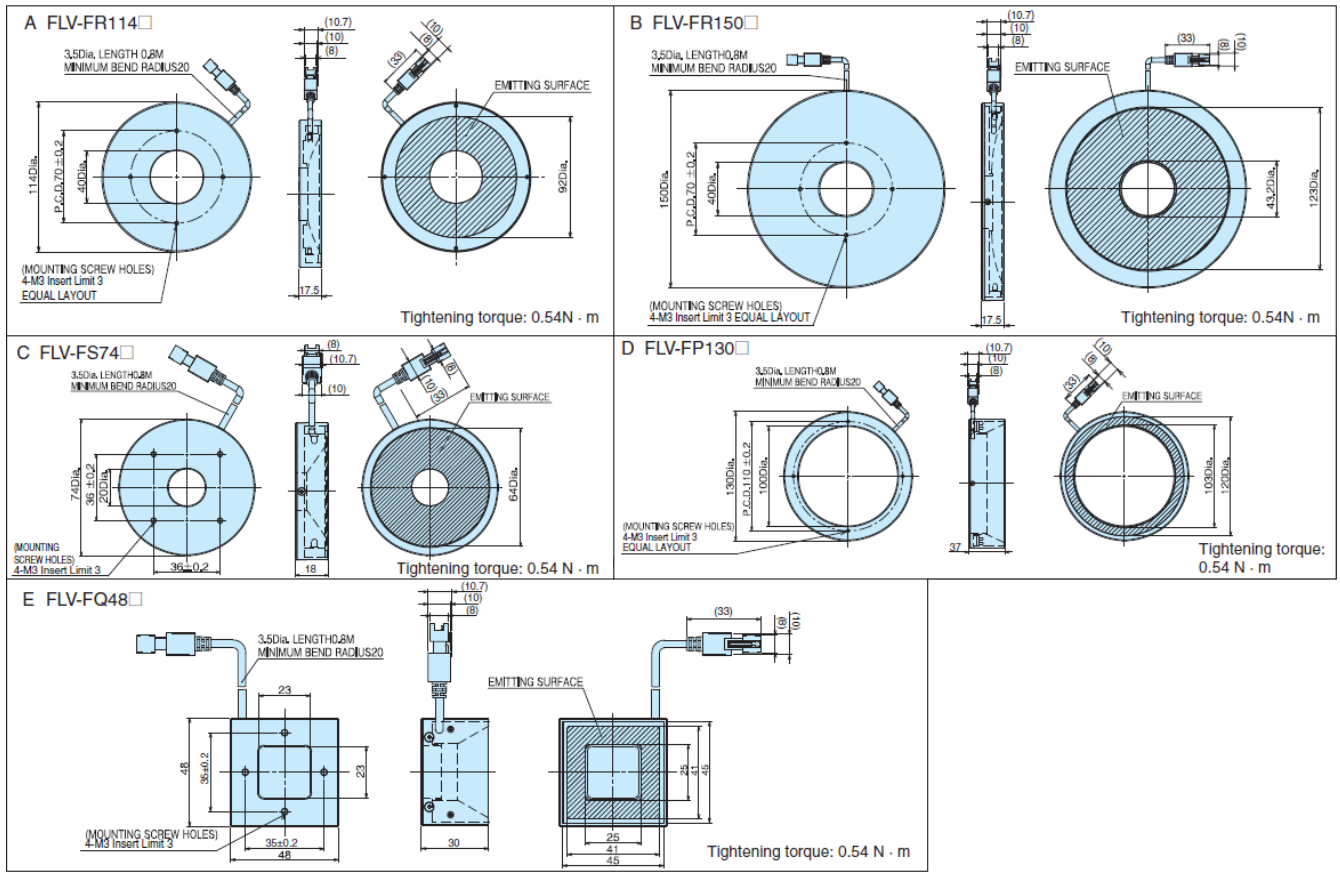
[Dimensions]

<p>Product discontinuation Shadowless Model 3Z4S-LT MSRL Series Shadowless Low Angle Ring Model 3Z4S-LT MSLL Series Shadowless Low Angle Square Model 3Z4S-LT MSQ Series</p>	<p>Recommendable replacement Shadowless Model FLV-FR/-FS Series Shadowless Model FLV-FP Series Shadowless Model FLV-FQ Series</p>
---	--

Model 3Z4S-LT MSRL / MSLL / MSQ Series



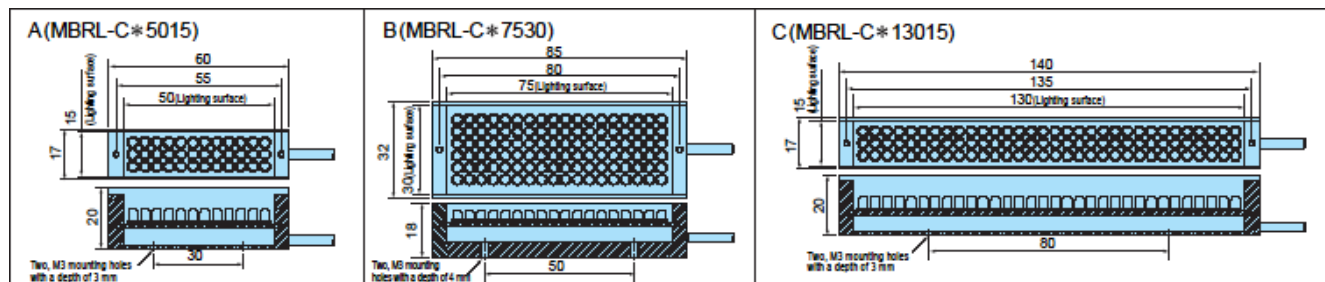
Model FLV-FR/-FS/-FP/-FQ Series



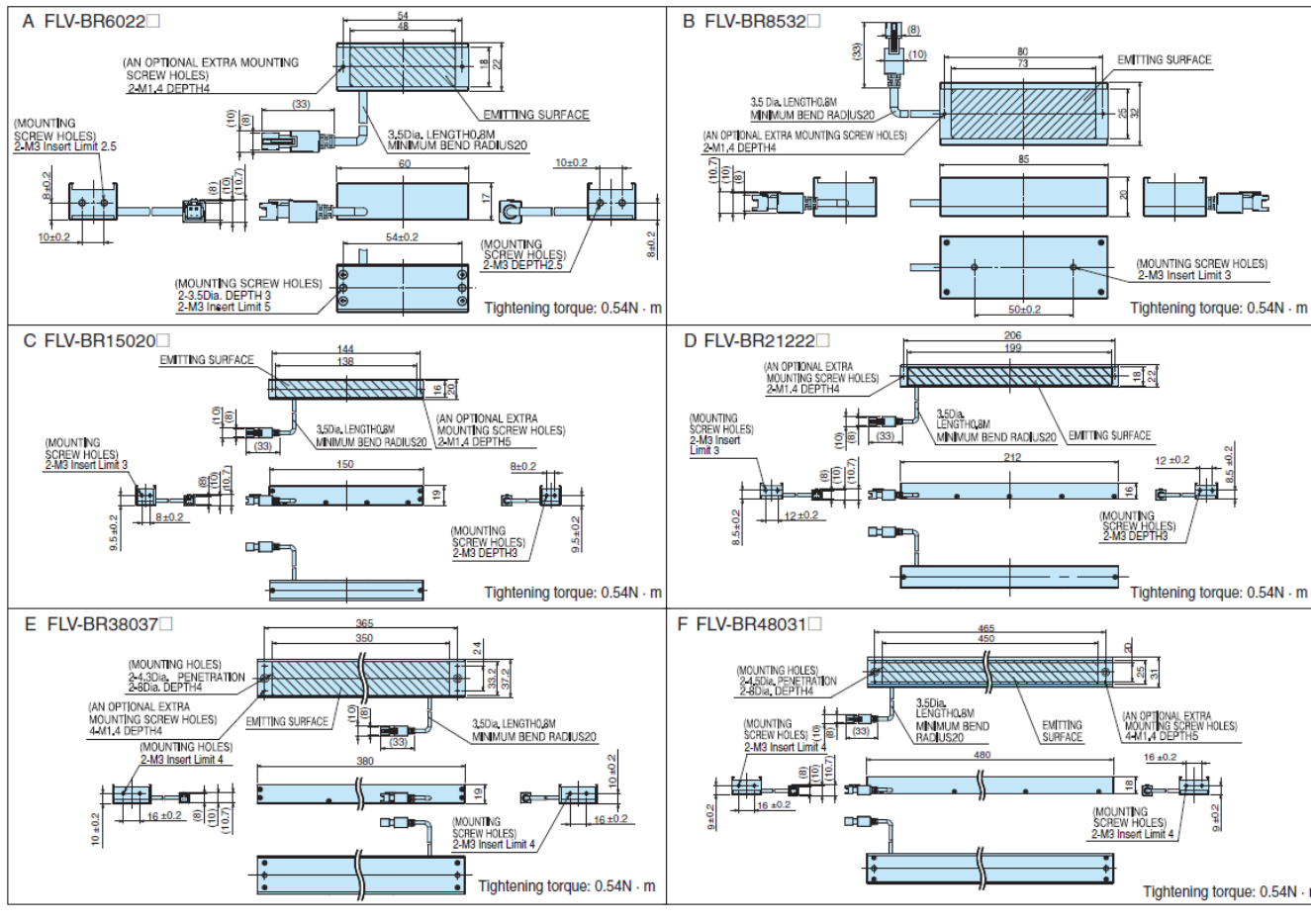
[Dimensions]

<p>Product discontinuation Bar Model 3Z4S-LT MBRL Series</p>	<p>Recommendable replacement Bar Model FLV-BR Series</p>
---	---

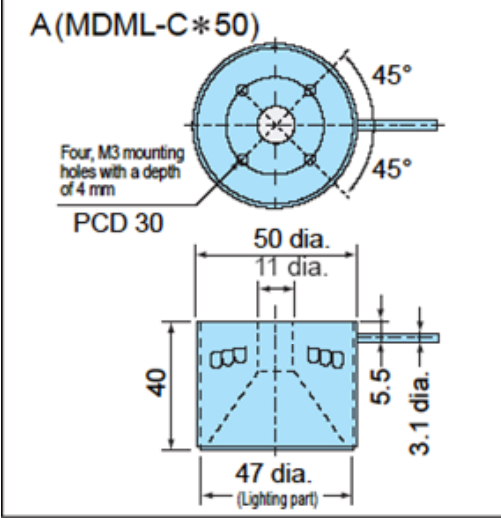
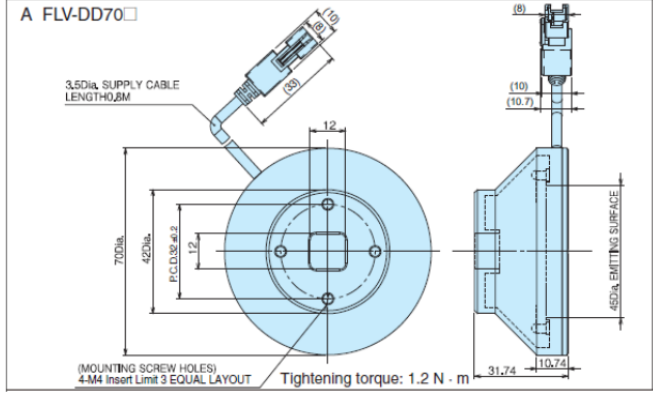
Model 3Z4S-LT MBRL Series

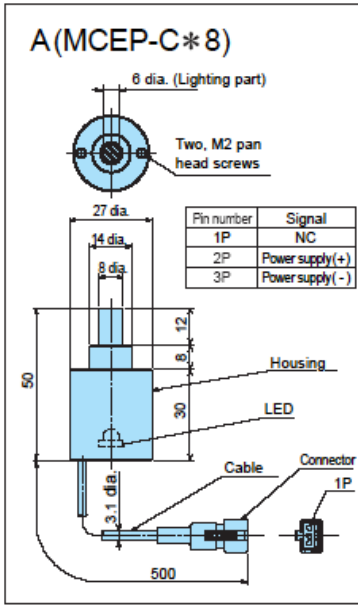
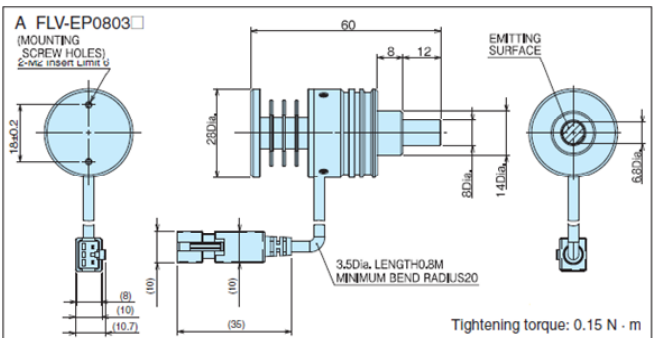


Model FLV-BR Series



[Dimensions]

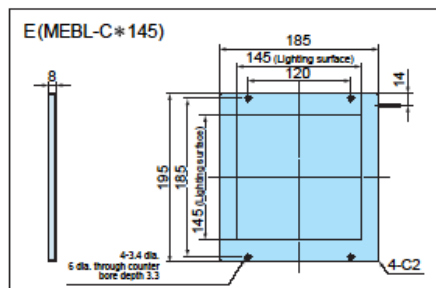
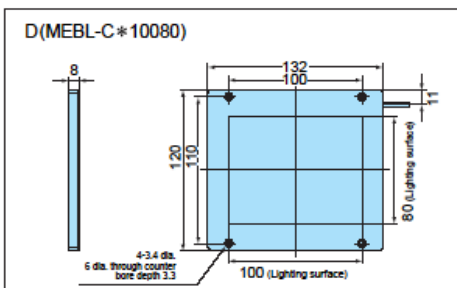
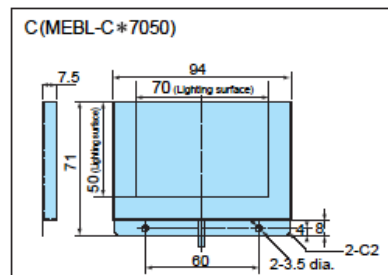
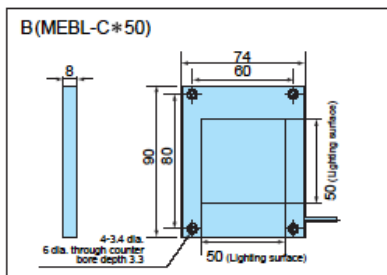
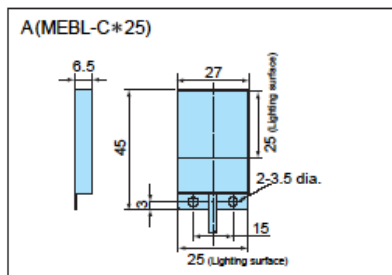
Product discontinuation Dome Model 3Z4S-LT MDML Series	Recommendable replacement Dome Model FLV-DD Series
<p>Model 3Z4S-LT MDML Series</p>  <p>A (MDML-C*50)</p> <p>45° 45°</p> <p>Four, M3 mounting holes with a depth of 4 mm</p> <p>PCD 30</p> <p>50 dia. 11 dia.</p> <p>40</p> <p>5.5</p> <p>3.1 dia.</p> <p>47 dia. (Lighting part)</p>	<p>Model FLV-DD Series</p>  <p>A FLV-DD70□</p> <p>3.5Dia. SUPPLY CABLE LENGTH:0.8M</p> <p>70Dia. 42Dia. PCD:38±0.2</p> <p>12</p> <p>12</p> <p>46Dia. EMITTING SURFACE</p> <p>31.74</p> <p>10.74</p> <p>(MOUNTING SCREW HOLES) 4-M4 Insert Limit 3 EQUAL LAYOUT</p> <p>Tightening torque: 1.2 N · m</p>

Product discontinuation High-powered Spot Model 3Z4S-LT MCEP Series	Recommendable replacement High-powered Spot Model FLV-EP08 Series								
<p>Model 3Z4S-LT MCEP Series</p>  <p>A (MCEP-C*8)</p> <p>6 dia. (Lighting part)</p> <p>Two, M2 pan head screws</p> <table border="1" style="margin-left: auto; margin-right: auto;"> <thead> <tr> <th>Pin number</th> <th>Signal</th> </tr> </thead> <tbody> <tr> <td>1P</td> <td>NC</td> </tr> <tr> <td>2P</td> <td>Power supply(+)</td> </tr> <tr> <td>3P</td> <td>Power supply(-)</td> </tr> </tbody> </table> <p>27 dia. 14 dia. 8 dia.</p> <p>50</p> <p>12</p> <p>6</p> <p>Housing</p> <p>30</p> <p>LED</p> <p>3.1 dia.</p> <p>Cable</p> <p>Connector</p> <p>1P</p> <p>500</p>	Pin number	Signal	1P	NC	2P	Power supply(+)	3P	Power supply(-)	<p>Model FLV-EP08 Series</p>  <p>A FLV-EP0803□</p> <p>(MOUNTING SCREW HOLES) 2-M4 insert limit 2</p> <p>18±0.2</p> <p>60</p> <p>8</p> <p>12</p> <p>EMITTING SURFACE</p> <p>28Dia.</p> <p>8Dia.</p> <p>14Dia.</p> <p>6.8Dia.</p> <p>3.5Dia. LENGTH:0.8M MINIMUM BEND RADIUS:20</p> <p>(8) (10) (10.7)</p> <p>(35)</p> <p>Tightening torque: 0.15 N · m</p>
Pin number	Signal								
1P	NC								
2P	Power supply(+)								
3P	Power supply(-)								

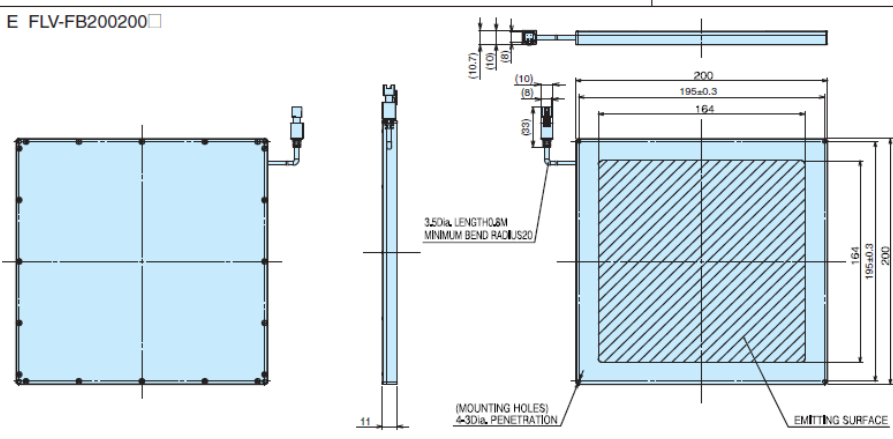
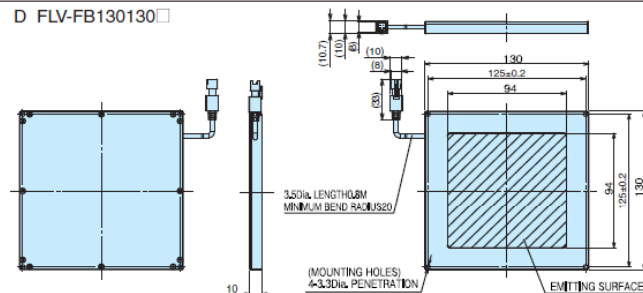
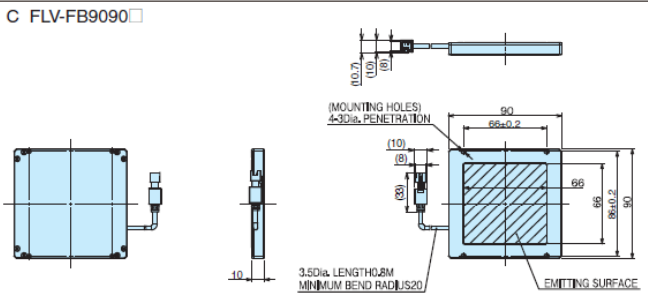
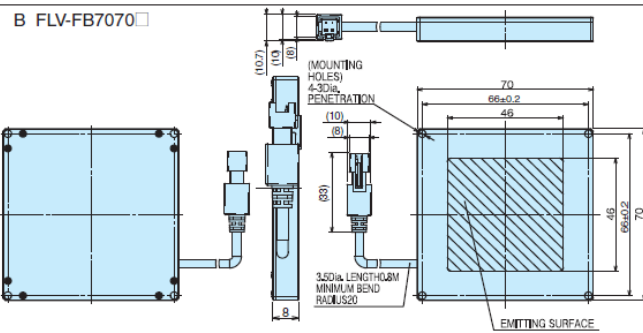
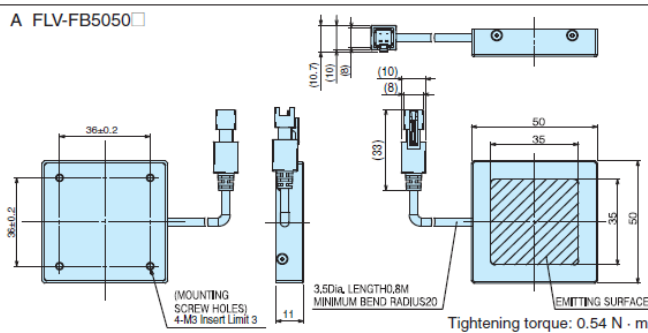
[Dimensions]

<p>Product discontinuation Edge-type Backlight Model 3Z4S-LT MEBL Series</p>	<p>Recommendable replacement Edge-type Backlight Model FLV-FB Series</p>
--	--

Model 3Z4S-LT MEBL Series



Model FLV-FB Series

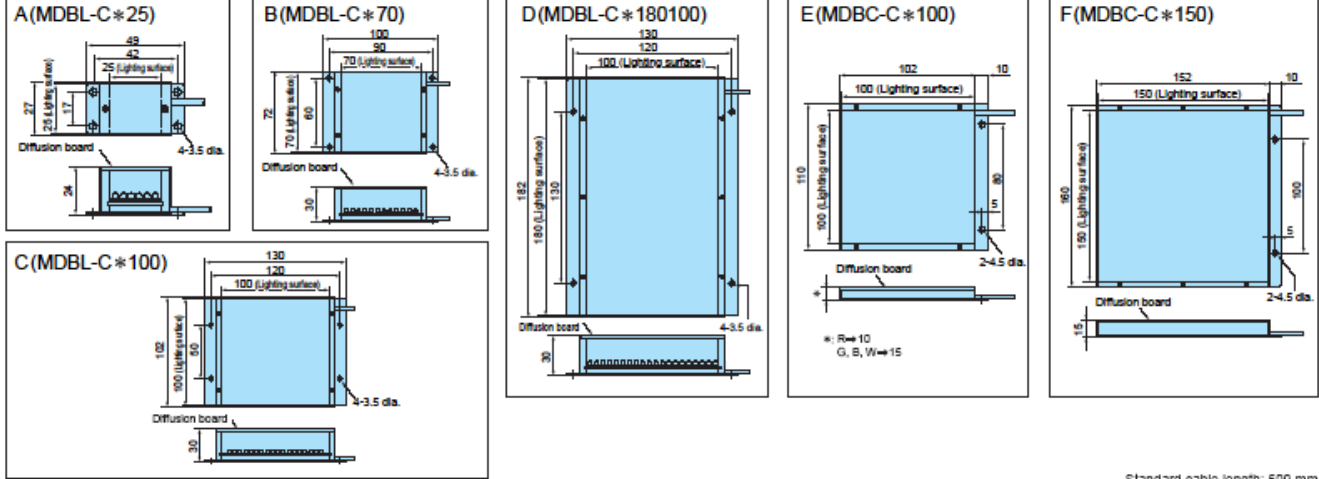


[Dimensions]

Product discontinuation
Direct Backlights (Discrete type)
Model 3Z4S-LT MDBL Series
Direct Backlight (Chip Mount type)
Model 3Z4S-LT MDBC Series

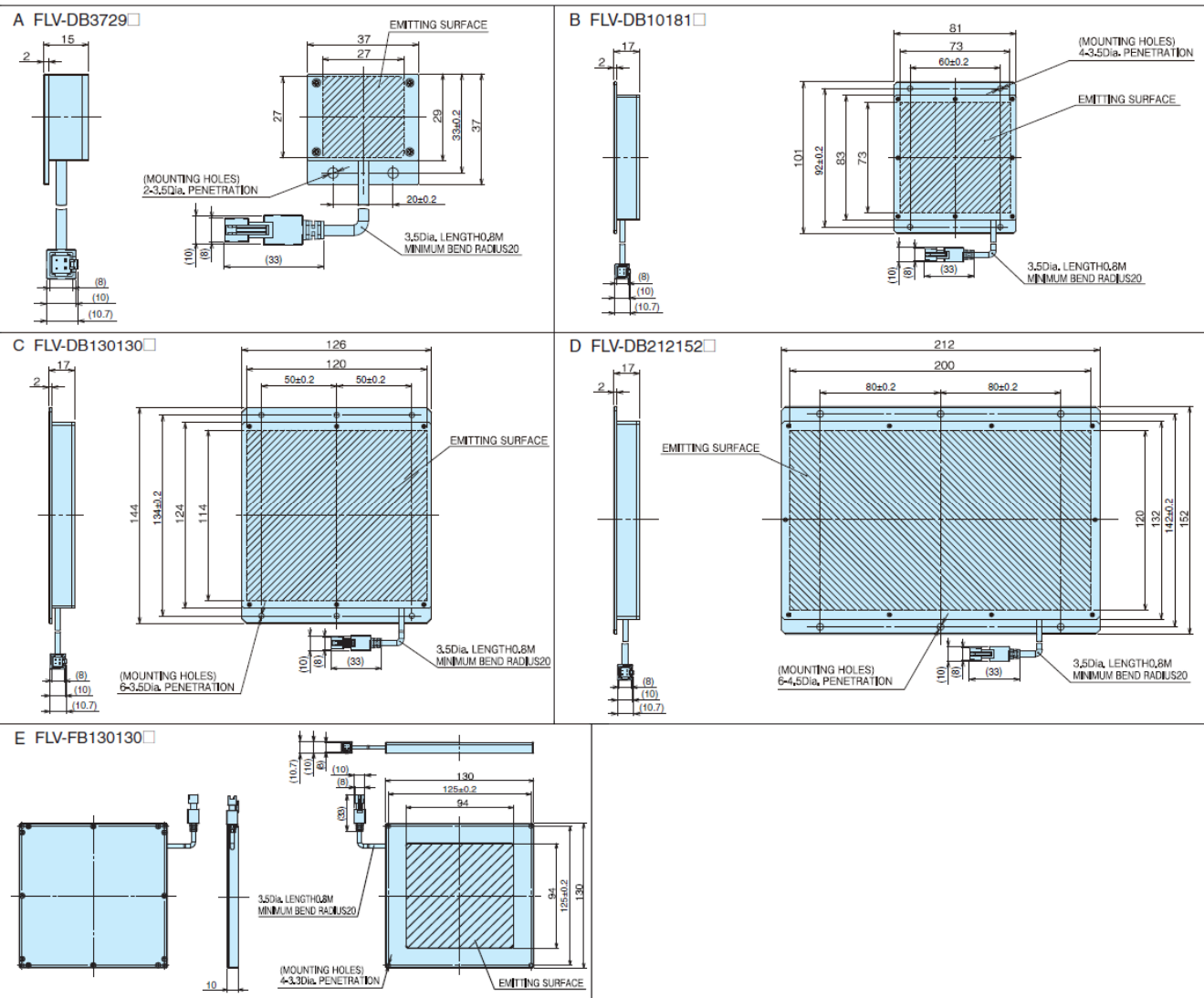
Recommendable replacement
Direct Back Light
Model FLV-DB Series
Direct Back Light / Edge-type Backlight
Model FLV-DB/-FB Series

Model 3Z4S-LT MDBL / MDBC Series



Standard cable length: 500 mm

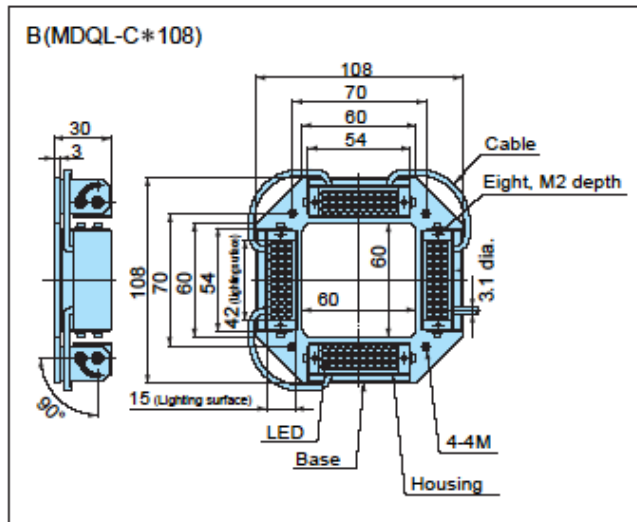
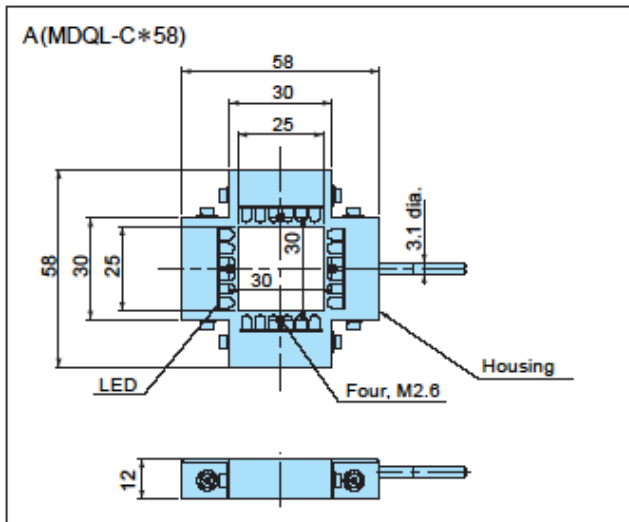
Model FLV-DB/-FB Series



[Dimensions]

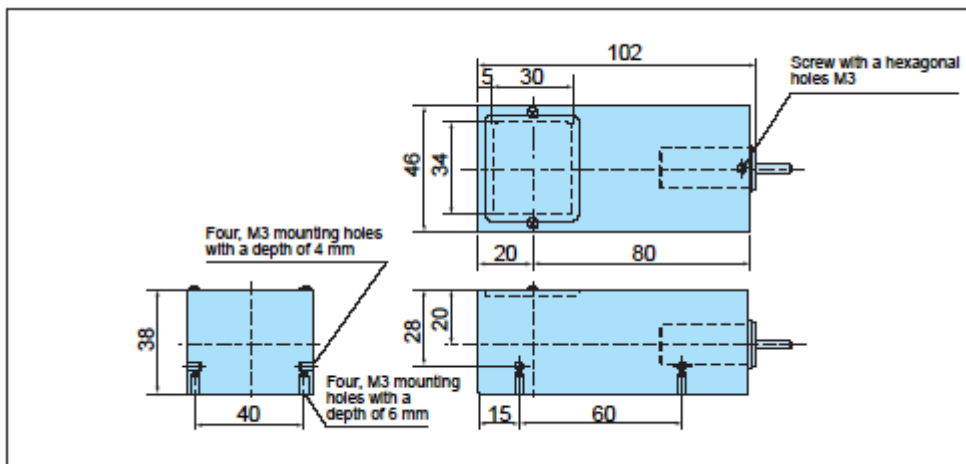
Product discontinuation
Square Bar Type
Model 3Z4S-LT MDQL Series

Model 3Z4S-LT MDQL Series



Product discontinuation
Parallel
Model 3Z4S-LT MCBP Series

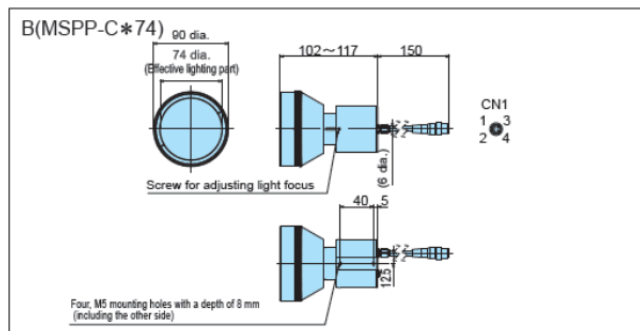
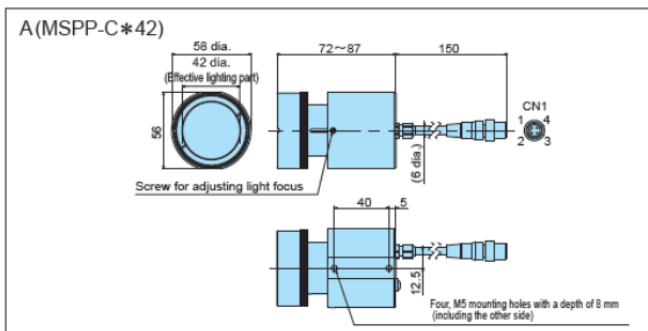
Model 3Z4S-LT MCBP Series



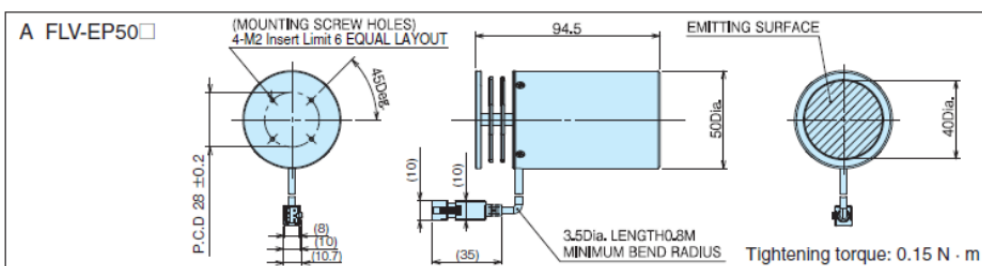
[Dimensions]

<p>Product discontinuation LED Spot Model 3Z4S-LT MSPP Series</p>	<p>Recommendable replacement Spot Light Model FLV-EP50 Series</p>
--	--

Model 3Z4S-LT MSPP Series

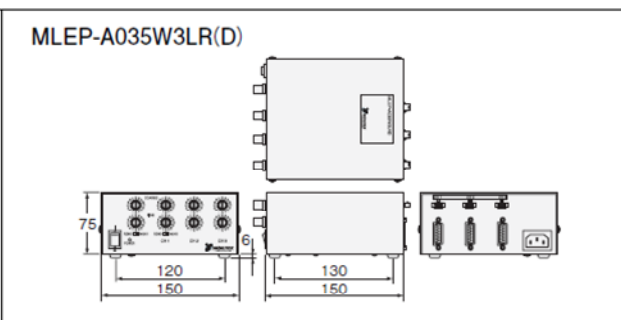
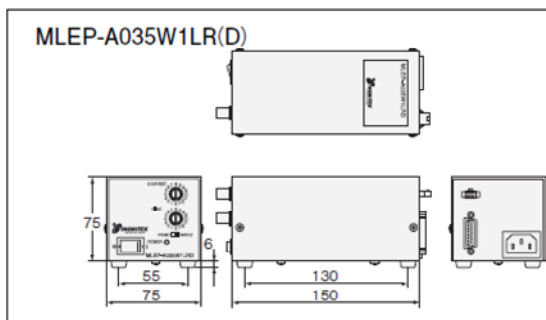


Model FLV-EP50 Series



<p>Product discontinuation Power Supplies for High-powered Spot Model 3Z4S-LT MLEP Series</p>	<p>Recommendable replacement Analog Lighting Controller Model FLV-ATC10405-O / Model FLV-ATC40405-O</p>
--	--

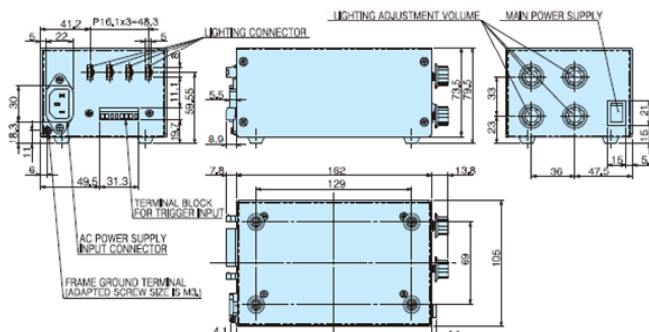
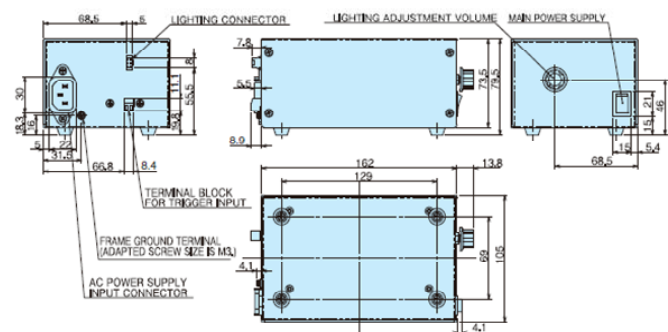
Model 3Z4S-LT MLEP Series



Model FLV-ATC10405-O / Model FLV-ATC40405-O

FLV-ATC10405-□

FLV-ATC40405-□

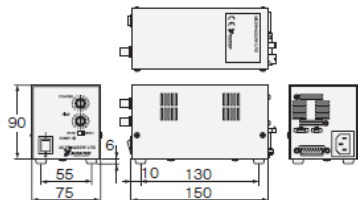


[Dimensions]

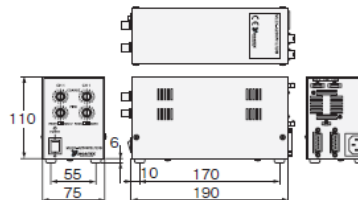
<p>Product discontinuation Exclusive Power supplies Model 3Z4S-LT MLEK Series</p>	<p>Recommendable replacement Analog Lighting Controller Model FLV-ATC21024-O</p>
--	---

Model 3Z4S-LT MLEK Series

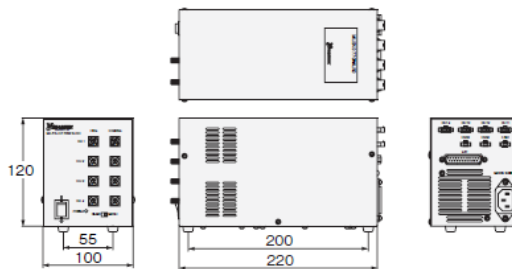
形MLEK-A□□□W1LR(D)



形MLEK-A□□□W2LR(D)

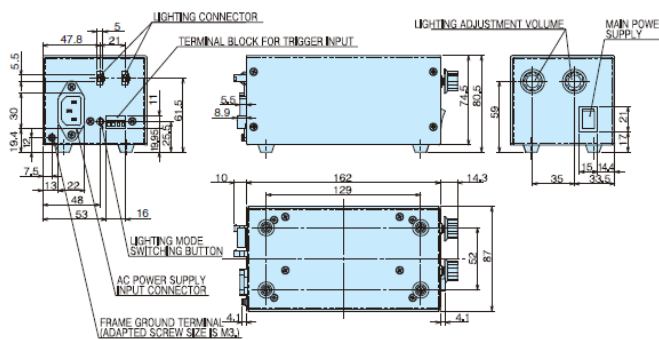


形MLEK-D770W4LRD



Model FLV-ATC21024-O

FLV-ATC21024-□

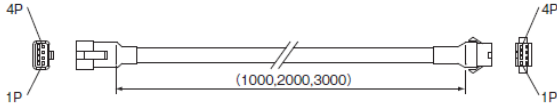


[Dimensions]

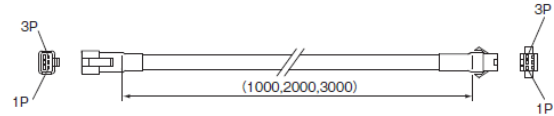
<p>Product discontinuation Extension Cable Model 3Z4S-LT M-RCB Series Cable for external control Model 3Z4S-LT M-EXC Series</p>	<p>Recommendable replacement Extension Cable for Standard Light Model FLV-XC[] Extension Cable for Spot Light Model FLV-XC[]EP</p>
--	---

Model 3Z4S-LT M-RCB / M-EXC Series

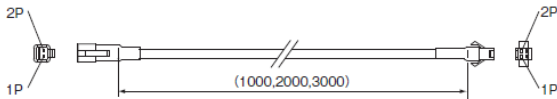
M-RCB4□□L



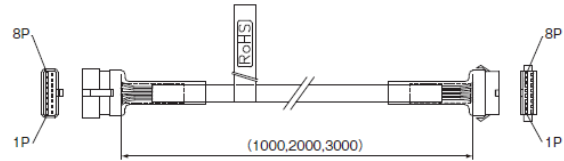
M-RCB3□□L



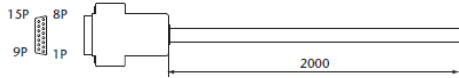
M-RCB0□□L



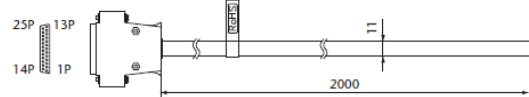
M-RCB8□□L



MC-EXC-02

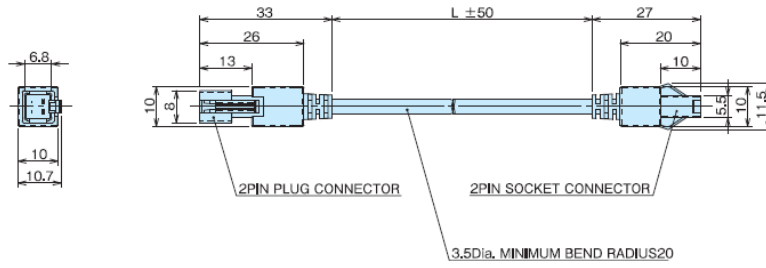


MC-EXC-07



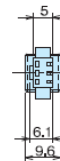
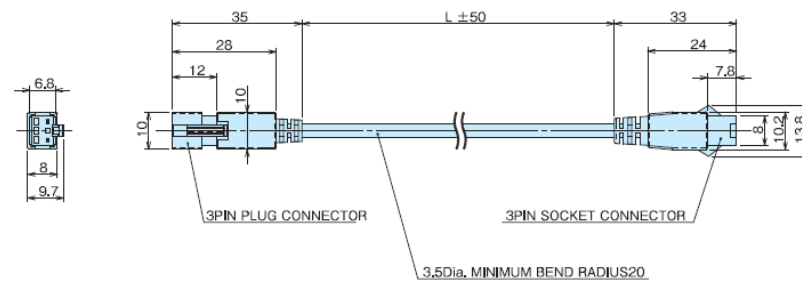
Model FLV-XC[] / Model FLV-XC[]EP

A FLV-XC□



Model	L
FLV-XC1	1000
FLV-XC2	2000
FLV-XC3	3000
FLV-XC5	5000

B FLV-XC□EP



Model	L
FLV-XC1EP	1000
FLV-XC2EP	2000
FLV-XC3EP	3000
FLV-XC5EP	5000

[Characteristics]

1. Illumination

Light Shape	Luminescent Color	Product discontinuation	Recommendable replacement
Direct Ring	Blue	Model 3Z4S-LT MDRL-CB10	Model FLV-DR3220B
		Model 3Z4S-LT MDRL-CB16	Model FLV-DR5030B
		Model 3Z4S-LT MDRL-CB28	Model FLV-DR5030B
		Model 3Z4S-LT MDRL-CB31	Model FLV-DR6615B
		Model 3Z4S-LT MDRL-CB35	Model FLV-DR7000B
		Model 3Z4S-LT MDRL-CB36	Model FLV-DR7030B
		Model 3Z4S-LT MDRL-CB50	Model FLV-DR9215B
		Model 3Z4S-LT MDRL-CB56	Model FLV-DR12030B
	Red	Model 3Z4S-LT MDRL-CR10	Model FLV-DR3220R
		Model 3Z4S-LT MDRL-CR16	Model FLV-DR5030R
		Model 3Z4S-LT MDRL-CR28	Model FLV-DR5030R
		Model 3Z4S-LT MDRL-CR31	Model FLV-DR6615R
		Model 3Z4S-LT MDRL-CR35	Model FLV-DR7000R
		Model 3Z4S-LT MDRL-CR36	Model FLV-DR7030R
		Model 3Z4S-LT MDRL-CR50	Model FLV-DR9215R
		Model 3Z4S-LT MDRL-CR56	Model FLV-DR12030R
	White	Model 3Z4S-LT MDRL-CW10	Model FLV-DR3220W
		Model 3Z4S-LT MDRL-CW16	Model FLV-DR5030W
		Model 3Z4S-LT MDRL-CW28	Model FLV-DR5030W
		Model 3Z4S-LT MDRL-CW31	Model FLV-DR6615W
		Model 3Z4S-LT MDRL-CW35	Model FLV-DR7000W
		Model 3Z4S-LT MDRL-CW36	Model FLV-DR7030W
		Model 3Z4S-LT MDRL-CW50	Model FLV-DR9215W
		Model 3Z4S-LT MDRL-CW56	Model FLV-DR12030W
Low Angle Ring	Blue	Model 3Z4S-LT MLRL-CB100	Model FLV-DL15060B
		Model 3Z4S-LT MLRL-CB25	Model FLV-DL5890B
		Model 3Z4S-LT MLRL-CB46	Model FLV-DL9090B
		Model 3Z4S-LT MLRL-CB48	Model FLV-DL7260B
		Model 3Z4S-LT MLRL-CB68	Model FLV-DL12060B
	Red	Model 3Z4S-LT MLRL-CR100	Model FLV-DL15060R
		Model 3Z4S-LT MLRL-CR25	Model FLV-DL5890R
		Model 3Z4S-LT MLRL-CR46	Model FLV-DL9090R
		Model 3Z4S-LT MLRL-CR48	Model FLV-DL7260R
		Model 3Z4S-LT MLRL-CR68	Model FLV-DL12060R
	White	Model 3Z4S-LT MLRL-CW100	Model FLV-DL15060W
		Model 3Z4S-LT MLRL-CW25	Model FLV-DL5890W
		Model 3Z4S-LT MLRL-CW46	Model FLV-DL9090W
		Model 3Z4S-LT MLRL-CW48	Model FLV-DL7260W
		Model 3Z4S-LT MLRL-CW68	Model FLV-DL12060W
Coaxial	Blue	Model 3Z4S-LT MCEL-CB8	Model FLV-EP0803B
	Red	Model 3Z4S-LT MCEL-CR8	Model FLV-EP0803R
	White	Model 3Z4S-LT MCEL-CW8	Model FLV-EP0803W

Light Shape	Luminescent Color	Product discontinuation	Recommendable replacement	
Simulated Coaxial Episcopic	Blue	Model 3Z4S-LT MSCL-CB105-B	Model FLV-CL100B	
		Model 3Z4S-LT MSCL-CB24	Model FLV-CL30B	
		Model 3Z4S-LT MSCL-CB39	Model FLV-CL40B	
		Model 3Z4S-LT MSCL-CB56-B	Model FLV-CL60B	
Simulated Coaxial Episcopic	Blue	Model 3Z4S-LT MSCL-CB74-B	Model FLV-CL80B	
		Red	Model 3Z4S-LT MSCL-CR105-B	Model FLV-CL100R
			Model 3Z4S-LT MSCL-CR24	Model FLV-CL30R
			Model 3Z4S-LT MSCL-CR39	Model FLV-CL40R
			Model 3Z4S-LT MSCL-CR56-B	Model FLV-CL60R
	Model 3Z4S-LT MSCL-CR74-B		Model FLV-CL80R	
	White	Model 3Z4S-LT MSCL-CW105-B	Model FLV-CL100W	
		Model 3Z4S-LT MSCL-CW24	Model FLV-CL30W	
		Model 3Z4S-LT MSCL-CW39	Model FLV-CL40W	
		Model 3Z4S-LT MSCL-CW56-B	Model FLV-CL60W	
		Model 3Z4S-LT MSCL-CW74-B	Model FLV-CL80W	
	Shadowless	Blue	Model 3Z4S-LT MSRL-CB44	Model FLV-FR150B
Red			Model 3Z4S-LT MSRL-CR20	Model FLV-FS74R
			Model 3Z4S-LT MSRL-CR33	Model FLV-FR114R
		Model 3Z4S-LT MSRL-CR44	Model FLV-FR150R	
White		Model 3Z4S-LT MSRL-CW20	Model FLV-FS74W	
		Model 3Z4S-LT MSRL-CW33	Model FLV-FR114W	
	Model 3Z4S-LT MSRL-CW44	Model FLV-FR150W		
Shadowless Low Angle Ring	Red	Model 3Z4S-LT MSLC-CR109	Model FLV-FP130R	
	White	Model 3Z4S-LT MSLC-CW109	Model FLV-FP130W	
Shadowless Low Angle Square	White	Model 3Z4S-LT MSQC-CW32	No recommended replacement	
		Model 3Z4S-LT MSQC-CW48	Model FLV-FQ48W	
Bar	Blue	Model 3Z4S-LT MBRL-CB13015	Model FLV-BR15020B	
		Model 3Z4S-LT MBRL-CB5015	Model FLV-BR6022B	
		Model 3Z4S-LT MBRL-CB7530	Model FLV-BR8532B	
	IR	Model 3Z4S-LT MBRL-CIR7530	Model FLV-BR6022IR	
	Red	Model 3Z4S-LT MBRL-CR13015	Model FLV-BR15020R	
		Model 3Z4S-LT MBRL-CR5015	Model FLV-BR6022R	
		Model 3Z4S-LT MBRL-CR7530	Model FLV-BR8532R	
	White	Model 3Z4S-LT MBRL-CW13015	Model FLV-BR15020W	
		Model 3Z4S-LT MBRL-CW24015	Model FLV-BR21222W	
		Model 3Z4S-LT MBRL-CW36015	Model FLV-BR38037W	
Model 3Z4S-LT MBRL-CW48015		Model FLV-BR48031W		
Model 3Z4S-LT MBRL-CW5015		Model FLV-BR6022W		
Model 3Z4S-LT MBRL-CW7530	Model FLV-BR8532W			
Dome	Red	Model 3Z4S-LT MDML-CR50	Model FLV-DD70R	
	White	Model 3Z4S-LT MDML-CW50	Model FLV-DD70W	

Light Shape	Luminescent Color	Product discontinuation	Recommendable replacement
Edge-type Backlight	Blue	Model 3Z4S-LT MEBL-CB10080	Model FLV-FB130130B
		Model 3Z4S-LT MEBL-CB145	Model FLV-FB200200B
	Blue	Model 3Z4S-LT MEBL-CB25	Model FLV-FB5050B
		Model 3Z4S-LT MEBL-CB50	Model FLV-FB7070B
		Model 3Z4S-LT MEBL-CB7050	Model FLV-FB9090B
	Red	Model 3Z4S-LT MEBL-CR10080	Model FLV-FB130130R
		Model 3Z4S-LT MEBL-CR145	Model FLV-FB200200R
		Model 3Z4S-LT MEBL-CR25	Model FLV-FB5050R
		Model 3Z4S-LT MEBL-CR50	Model FLV-FB7070R
	Edge-type Backlight	White	Model 3Z4S-LT MEBL-CW10080
Model 3Z4S-LT MEBL-CW145			Model FLV-FB200200W
Model 3Z4S-LT MEBL-CW25			Model FLV-FB5050W
Model 3Z4S-LT MEBL-CW50			Model FLV-FB7070W
Model 3Z4S-LT MEBL-CW7050			Model FLV-FB9090W
Direct Backlights (Discrete type)	Blue	Model 3Z4S-LT MDBL-CB100	Model FLV-DB130130B
		Model 3Z4S-LT MDBL-CB180100	Model FLV-DB212152B
		Model 3Z4S-LT MDBL-CB25	Model FLV-DB3729B
		Model 3Z4S-LT MDBL-CB70	Model FLV-DB10181B
	Red	Model 3Z4S-LT MDBL-CR100	Model FLV-DB130130R
		Model 3Z4S-LT MDBL-CR180100	Model FLV-DB212152R
		Model 3Z4S-LT MDBL-CR25	Model FLV-DB3729R
		Model 3Z4S-LT MDBL-CR70	Model FLV-DB10181R
	White	Model 3Z4S-LT MDBL-CW100	Model FLV-DB130130W
		Model 3Z4S-LT MDBL-CW180100	Model FLV-DB212152W
		Model 3Z4S-LT MDBL-CW25	Model FLV-DB3729W
		Model 3Z4S-LT MDBL-CW70	Model FLV-DB10181W
Direct Backlight (Chip Mount type)	Red	Model 3Z4S-LT MDBC-CR100	Model FLV-DB130130R
		Model 3Z4S-LT MDBC-CR150	Model FLV-FB130130R
	White	Model 3Z4S-LT MDBC-CW100	Model FLV-DB130130W
		Model 3Z4S-LT MDBC-CW150	Model FLV-FB130130W
Square Bar Type	Red	Model 3Z4S-LT MDQL-CR108	No recommended replacement
		Model 3Z4S-LT MDQL-CR58	No recommended replacement
	White	Model 3Z4S-LT MDQL-CW108	No recommended replacement
		Model 3Z4S-LT MDQL-CW58	No recommended replacement
High-powered Spot	Blue	Model 3Z4S-LT MCEP-CB8	Model FLV-EP0803B
	Red	Model 3Z4S-LT MCEP-CR8	Model FLV-EP0803R
	White	Model 3Z4S-LT MCEP-CW8	Model FLV-EP0803W
Parallel	Blue	Model 3Z4S-LT MCBP-CB3430	No recommended replacement
	White	Model 3Z4S-LT MCBP-CW3430	No recommended replacement
LED Spot	Red	Model 3Z4S-LT MSPP-CR42	Model FLV-EP50R
		Model 3Z4S-LT MSPP-CR74	Model FLV-EP50R
	White	Model 3Z4S-LT MSPP-CW42	Model FLV-EP50W
		Model 3Z4S-LT MSPP-CW74	Model FLV-EP50W

2. Power Supplies

(1) A080/230W Analog Series (Total current: 0.8 A or 2.3 A)

Item	Product discontinuation				Recommendable replacement
Model	MLEK-A080W 1LR-100V	MLEK-A080W 1LR-200V	MLEK-A080W 2LR-100V	MLEK-A080W 2LR-200V	FLV-ATC21024-O
AC Type	100 V	200 V	100 V	200 V	-
Output	Single-channel output of 0.8 A (for connection to all lights except the MCEP Series)		Two-channel maximum, output of 0.8 A for each channel (for connection to all lights except the MCEP Series)		2ch total 40 W max. 30 W max. for 1ch FLV series (However, FLV-EP and FLV-LN series are excluded.)
Input voltage	100-240 V AC 50/60 Hz				100-240V AC 50/60 Hz
Input current	0.3/0.15 A (at 100/240 V AC)				1 A max. (Current consumption)
Operating temperature	0 to +45°C				Operating: 0 to +50°C, Storage: -15 to +60°C (with no icing or condensation)
Output system Lighting method	Continuous DC output				Trigger lighting, Continuous lighting
Output control system	Constant current control (the current can be changed)				Constant voltage method Voltage light adjustment: 14.0 to 24.0 V
External light control	Supported (0 to 5 V)				-
Lighting on/off function	Supported (photocoupler insulation)				Lighting in synchronization with input from the trigger input terminal
Error output	Supported (photocoupler insulation, control error)				-
Weight	Approximately 1 kg		Approximately 1.3 kg		Approximately 0.8 kg

Item	Product discontinuation				Recommendable replacement
Model	MLEK-A230W 1LR-100V	MLEK-A230W 1LR-200V	MLEK-A230W 2LR-100V	MLEK-A230W 2LR-200V	FLV-ATC21024-O
AC Type	100 V	200 V	100 V	200 V	-
Output	Single-channel output of 2.3 A (for connection to all lights except the MCEP Series)		Two-channel maximum, output of 2.3 A for each channel (for connection to all lights except the MCEP Series)		2ch total 40 W max. 30 W max. for 1ch FLV series (However, FLV-EP and FLV-LN series are excluded.)
Input voltage	100-240V AC 50/60 Hz				100-240 V AC 50/60 Hz
Input current	0.7/0.4 A (at 100/240V AC)				1 A max. (Current consumption)
Operating temperature	0 to +45°C				Operating: 0 to +50°C, Storage: -15 to +60°C (with no icing or condensation)
Output system Lighting method	Continuous DC output				Trigger lighting, Continuous lighting
Output control system	Constant current control (the current can be changed)				Constant voltage method Voltage light adjustment: 14.0 to 24.0 V
External light control	Supported (0 to 5 V dimmer signal / External VR input)				-
Lighting on/off function	Supported (photocoupler insulation)				Lighting in synchronization with input from the trigger input terminal
Error output	Supported (photocoupler insulation, control error)				-
Weight	Approximately 1.1 kg		Approximately 1.4 kg		Approximately 0.8 kg

(2) A080/230W Digital Series (Total current: 0.8 A or 2.3 A)

Item	Product discontinuation				Recommendable replacement
Model	MLEK-A080W 1LRD-100V	MLEK-A080W 1LRD-200V	MLEK-A080W 2LRD-100V	MLEK-A080W 2LRD-200V	No recommended replacement
AC Type	100 V	200 V	100 V	200 V	-
Output	Single-channel output of 0.8 A (for connection to all lights except the MCEP Series)		Two-channel maximum, output of 0.8 A for each channel (for connection to all lights except the MCEP Series)		-
Input voltage	100-240 V AC 50/60 Hz				-
Input current	0.3/0.15 A (at 100/240 V AC)				-
Operating temperature	0 to +45°C				-
Output system	Continuous DC output				-
Output control system	Constant current control (the current can be changed)				-
External light control	Supported (8 bit digital)		Supported (for each channel, 8 bit digital)		-
Lighting on/off function	Supported (photocoupler insulation)				-
Error output	Supported (photocoupler insulation, control error)				-
Weight	Approximately 1 kg		Approximately 1.3 kg		-

Item	Product discontinuation				Recommendable replacement
Model	MLEK-A230W 1LRD-100V	MLEK-A230W 1LRD-200V	MLEK-A230W 2LRDB-100V	MLEK-A230W 2LRDB-200V	No recommended replacement
AC Type	100 V	200 V	100 V	200 V	-
Output	Single-channel output of 2.3 A (for connection to all lights except the MCEP Series)		Two-channel maximum, output of 2.3 A for each channel (for connection to all lights except the MCEP Series)		-
Input voltage	100-240V AC 50/60 Hz				-
Input current	0.7/0.4 A (at 100/240 V AC)				-
Operating temperature	0 to +45°C				-
Output system	Continuous DC output				-
Output control system	Constant current control (the current can be changed)				-
External light control	Supported (8 bit digital)		Supported (for each channel, 8 bit digital)		-
Lighting on/off function	Supported (photocoupler insulation)				-
Error output	Supported (photocoupler insulation, control error)				-
Weight	Approximately 1.1 kg		Approximately 1.4 kg		-

(3) Multichannel series

Item	Product discontinuation		Recommendable replacement
Model	MLEK-D770W4LRD-100V	MLEK-D770W4LRD-200V	No recommended replacement
AC Type	100 V	200 V	-
Output	4-channel output Total max. 7.7 A (CH1 CH3: max. 2.3 A CH4: max. 0.8 A) (for connection to all lights except the MCEP Series)		-
Input voltage	100-240 V AC 50/60 Hz		-
Input current	1.7/0.8 A (at 100/240 V AC)		-
Operating temperature	0 to +45°C		-
Output system	Continuous DC output		-
Output control system	Constant current control (the current can be changed)		-
External light control	Supported (for each channel, 8 bit digital or 10 bit digital)		-
Lighting on/off function	Supported (photocoupler insulation)		-
Error output	Supported (photocoupler insulation, control error)		-
Weight	Approximately 2 kg		-

(4) Power Supplies for MCEP/MSP Series MLEP Analog Series

Item	Product discontinuation				Recommendable replacement
Model	MLEP-A035W 1LR-100V	MLEP-A035W 1LR-200V	MLEP-A070W 1LR-100V	MLEP-A070W 1LR-200V	FLV-ATC10405-O
AC Type	100 V	200 V	100 V	200 V	-
Output	Single-channel out put max. 350 mA		Single-channel out put max. 700 mA		3 W max. FLV-EP series
Input voltage	100-240 V AC 50/60 Hz				100 to 240 VAC
Input current	0.35/0.25 A (at 100/240 V AC)				0.6 A max.
Operating temperature	0 to +45°C				Operating: 0 to +50°C Storage: -15 to +60°C (with no icing or condensation)
Output system	Continuous DC output				Trigger lighting, Continuous lighting
Output control system	Constant current control (the current can be changed)				Constant current method Current light adjustment ~ 0.4 A
External light control	Supported (0 to 5 V)				-
Lighting on/off function	Supported (photocoupler insulation)				Turning the light off in synchronization with input from the trigger input terminal
Weight	Approximately 0.9 kg				Approximately 0.8 kg

Item	Product discontinuation				Recommendable replacement
Model	MLEP-A035W 3LR-100V	MLEP-A035W 3LR-200V	MLEP-A070W 3LR-100V	MLEP-A070W 3LR-200V	FLV-ATC40405-O
AC Type	100 V	200 V	100 V	200 V	-
Output	3-channel out put for each channel max. 350 mA		3-channel out put for each channel max. 700 mA		4ch total 12 W max. 3 W max. for 1ch
Input voltage	100-240 V AC 50/60 Hz				100 to 240 V AC
Input current	0.35/0.25 A (at 100/240 V AC)				0.6 A max.
Operating temperature	0 to +45°C				Operating: 0 to +50°C, Storage: -15 to +60°C (with no icing or condensation)
Output system	Continuous DC output				Trigger lighting, Continuous lighting
Output control system	Constant current control (the current can be changed)				Constant current method Current light adjustment ~ 0.4 A
External light control	Supported (0 to 5 V)				-
Lighting on/off function	Supported (photocoupler insulation)				Turning the light off in synchronization with input from the trigger input terminal
Weight	Approximately 1.4 kg				Approximately 0.8 kg

(5) Power Supplies for MCEP/MSP Series MLEP Digital Series

Item	Product discontinuation								Recommendable replacement
Model	MLEP-A035W 1LRD -100V	MLEP-A035W 1LRD -200V	MLEP-A070W 1LRD -100V	MLEP-A070W 1LRD -200V	MLEP-A035W 3LRD -100V	MLEP-A035W 3LRD -200V	MLEP-A070W 3LRD -100V	MLEP-A070W 3LRD -200V	No recommended replacement
AC Type	100 V	200 V	100 V	200 V	100 V	200 V	100 V	200 V	-
Output	Single-channel out put out put max. 350 mA		Single-channel out put out put max. 700 mA		3-channel out put for each channel max. 350 mA		3-channel out put for each channel max. 700 mA		-
Input voltage	100-240 V AC 50/60 Hz								-
Input current	0.35/0.25 A (at 100/240 V AC)								-
Operating temperature	0 to +45°C								-
Output system	Continuous DC output								-
Output control system	Constant current control (the current can be changed)								-
External light control	Supported (8 bit digital)				Supported (for each channel, 8 bit digital)				-
Lighting on/off function	Supported (photocoupler insulation)								-
Weight	Approximately 0.9 kg				Approximately 1.4 kg				-

3. Optional Accessories

Item	Product discontinuation	Recommendable replacement
Option for optical fiber splicing	Model 3Z4S-LT MCEP-AD3LGB	No recommended replacement
	Model 3Z4S-LT MCEP-ADLG	No recommended replacement
Diffusion plate	Model 3Z4S-LT MDF-BR13015	Model FLV-BR15020DF
	Model 3Z4S-LT MDF-BR5015	Model FLV-BR6022DF
	Model 3Z4S-LT MDF-BR7530	Model FLV-BR8532DF
	Model 3Z4S-LT MDF-DR10	Model FLV-DR3220DF
	Model 3Z4S-LT MDF-DR16	No recommended replacement
	Model 3Z4S-LT MDF-DR28	Model FLV-DR5030DF
	Model 3Z4S-LT MDF-DR31	Model FLV-DR6615DF
	Model 3Z4S-LT MDF-DR35	Model FLV-DR7000DF
	Model 3Z4S-LT MDF-DR50	Model FLV-DR9215DF
	Model 3Z4S-LT MDF-DR56	Model FLV-DR12030DF
	Model 3Z4S-LT MDF-LR100	Model FLV-DL15060DF
	Model 3Z4S-LT MDF-LR25	Model FLV-DL5890DF
Diffusion plate	Model 3Z4S-LT MDF-LR48	Model FLV-DL7260DF
	Model 3Z4S-LT MDF-LR68	Model FLV-DL12060DF
	Model 3Z4S-LT MDF-DQ108	No recommended replacement
Polarizing plate	Model 3Z4S-LT MPL-BR13015-B	Model FLV-BR15020PL
	Model 3Z4S-LT MPL-BR5015-B	Model FLV-BR6022PL
	Model 3Z4S-LT MPL-BR7530-B	Model FLV-BR8532PL
	Model 3Z4S-LT MPL-DR10-B	Model FLV-DR3220PL
	Model 3Z4S-LT MPL-DR16-B	No recommended replacement
	Model 3Z4S-LT MPL-DR28-B	Model FLV-DR5030PL
	Model 3Z4S-LT MPL-DR31-B	Model FLV-DR6615PL
	Model 3Z4S-LT MPL-DR50-B	Model FLV-DR9215PL
	Model 3Z4S-LT MPL-DR56-B	Model FLV-DR12030PL
	Model 3Z4S-LT MPL-SC105	No recommended replacement
	Model 3Z4S-LT MPL-SC56	No recommended replacement
	Model 3Z4S-LT MPL-SC74	No recommended replacement
Extension Cable	Model 3Z4S-LT M-RCB001L	No recommended replacement
	Model 3Z4S-LT M-RCB002L	No recommended replacement
	Model 3Z4S-LT M-RCB003L	No recommended replacement
	Model 3Z4S-LT M-RCB301L	Model FLV-XC1EP
	Model 3Z4S-LT M-RCB301XS	Model FLV-XC1EP
	Model 3Z4S-LT M-RCB302L	Model FLV-XC2EP
	Model 3Z4S-LT M-RCB303L	Model FLV-XC3EP
	Model 3Z4S-LT M-RCB401L	Model FLV-XC1
	Model 3Z4S-LT M-RCB402L	Model FLV-XC2
	Model 3Z4S-LT M-RCB403L	Model FLV-XC3
	Model 3Z4S-LT M-RCB405L	Model FLV-XC5
	Model 3Z4S-LT M-XS402C	Model FLV-XC2EP
	Model 3Z4S-LT M-XS405C	Model FLV-XC5EP
Model 3Z4S-LT M-XS410C	No recommended replacement	
Cable for external control	Model 3Z4S-LT MC-EXC-02	No recommended replacement
	Model 3Z4S-LT MC-EXC-07	No recommended replacement

Item	Product discontinuation	Recommendable replacement
AC cable for LED controller	Model 3Z4S-LT MC-AC200A 2.0M	No recommended replacement
	Model 3Z4S-LT MC-AC200B 2.0M	No recommended replacement
Bracket for LED controller	Model 3Z4S-LT LBK-003	No recommended replacement
Plate attachment adapter for direct-ring lights	Model 3Z4S-LT MAD-DR10	No recommended replacement
	Model 3Z4S-LT MAD-DR16	No recommended replacement
	Model 3Z4S-LT MAD-DR28	No recommended replacement
	Model 3Z4S-LT MAD-DR31	No recommended replacement
	Model 3Z4S-LT MAD-DR35	No recommended replacement
	Model 3Z4S-LT MAD-DR50	No recommended replacement
MML/CCTV Lens Adapter	Model 3Z4S-LT MAD-DR56	No recommended replacement
	Model 3Z4S-LT MLA-DR1616	No recommended replacement
	Model 3Z4S-LT MLA-DR3125	No recommended replacement
	Model 3Z4S-LT MLA-DR3130	No recommended replacement
	Model 3Z4S-LT MLA-DR31M255	No recommended replacement
	Model 3Z4S-LT MLA-DR31M270	No recommended replacement
Simulated Coaxial Light/CCTV Lens Adapter	Model 3Z4S-LT MLA-DR31M305	No recommended replacement
	Model 3Z4S-LT MLA-SCBS	No recommended replacement
	Model 3Z4S-LT MLA-SCM255	No recommended replacement
	Model 3Z4S-LT MLA-SCM270	No recommended replacement
Light control film	Model 3Z4S-LT MLA-SCM305	No recommended replacement
	Model 3Z4S-LT MLM-SC105	No recommended replacement
	Model 3Z4S-LT MLM-SC56	No recommended replacement
Sharp-cut Filter	Model 3Z4S-LT MLM-SC74	No recommended replacement
	Model 3Z4S-LT ML-R64-25	No recommended replacement
	Model 3Z4S-LT ML-R64-27	No recommended replacement
	Model 3Z4S-LT ML-R64-30	No recommended replacement

Specifications and prices in this product news are as of the issue date and are subject to change without notice. Only main changes in specifications are described in this document. Please be sure to read the relevant catalogs, datasheets, product specifications, instructions, and manuals for precautions and necessary information when using products.